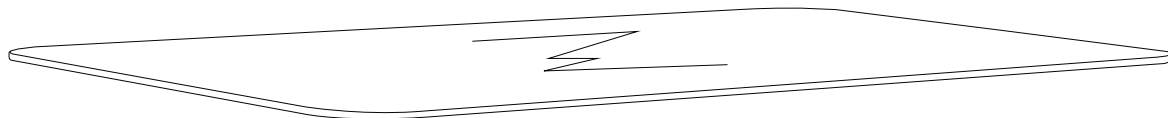




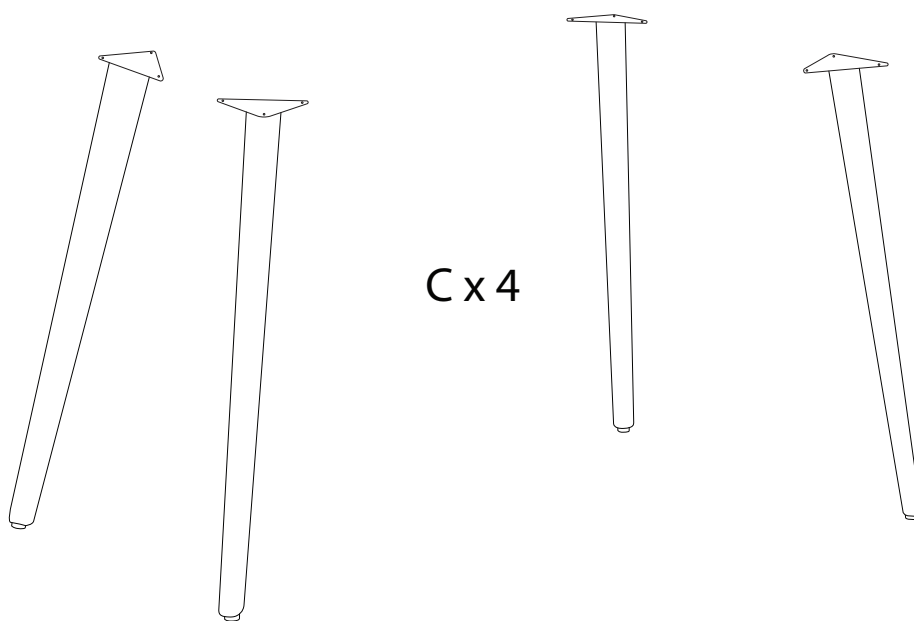
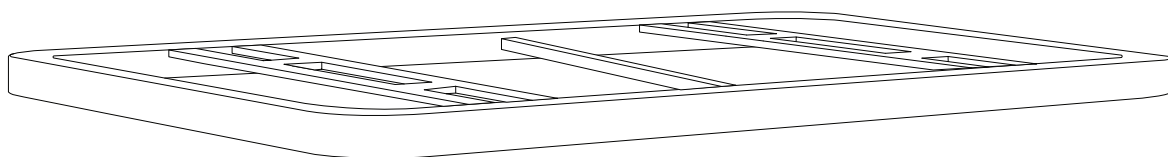
Diagram illustrating assembly instructions and safety warnings:

- Warning 1:** A warning triangle with an exclamation mark is shown next to a box containing an L-shaped bracket and a power drill with a slash through it, indicating that a power drill should not be used for this step.
- Warning 2:** A second warning triangle with an exclamation mark is shown next to a box containing a rectangular block on a textured surface and a similar block with a slash through it, indicating a specific assembly or placement instruction.
- Time:** A clock icon is shown with the text "30'" below it, indicating a 30-minute assembly time.
- Personnel:** An icon of a person is shown with the number "2" below it, indicating that two people are required for assembly.

A



B



C x 4

A



x 1

B



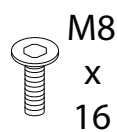
x 1

C



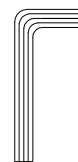
x 4

D



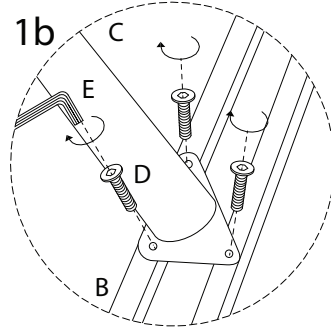
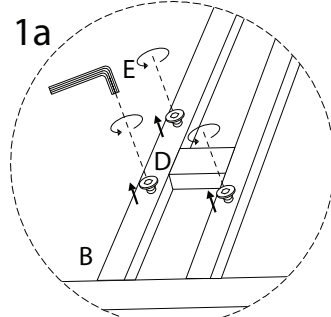
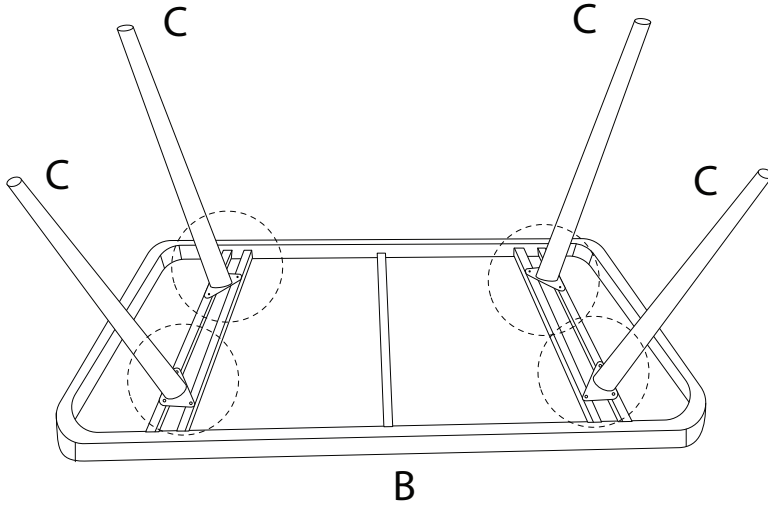
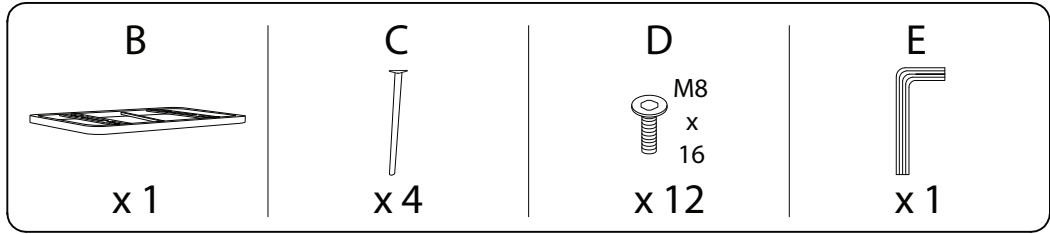
x 12

E



x 1

1



2

