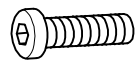


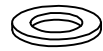
Assembly Instruction

①



M6*20mm 36PCS

②

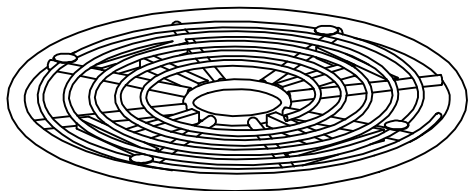


36PCS

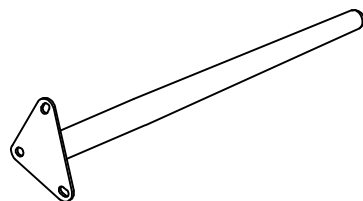
③



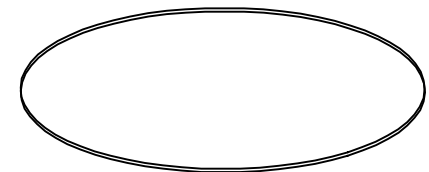
1PC



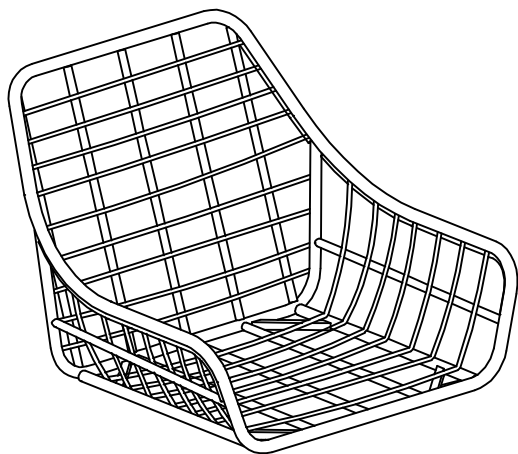
A*1



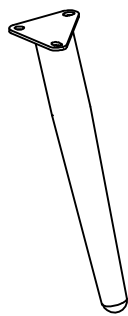
B*4



C*1



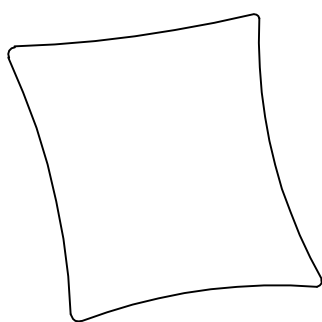
D*2



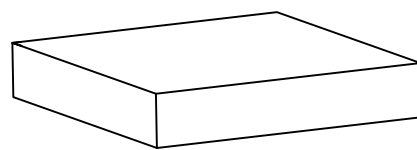
E*4



F*4

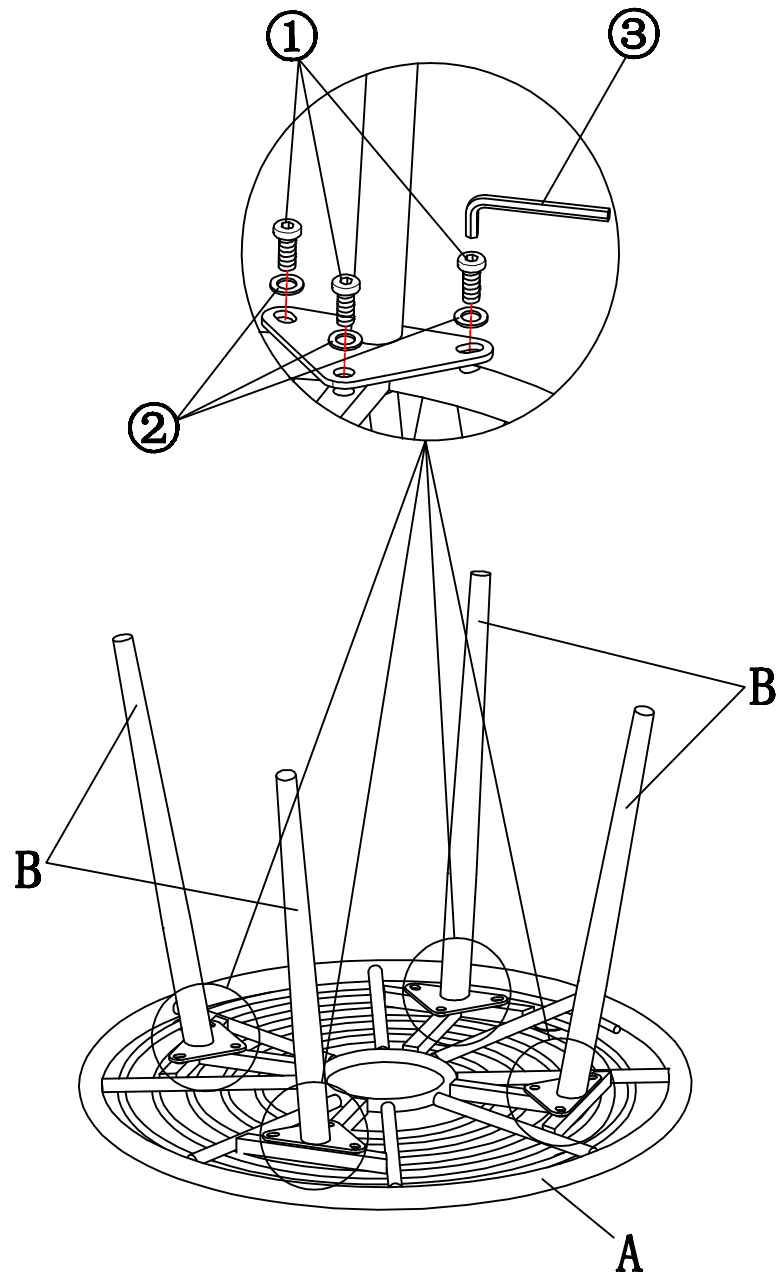


G*2

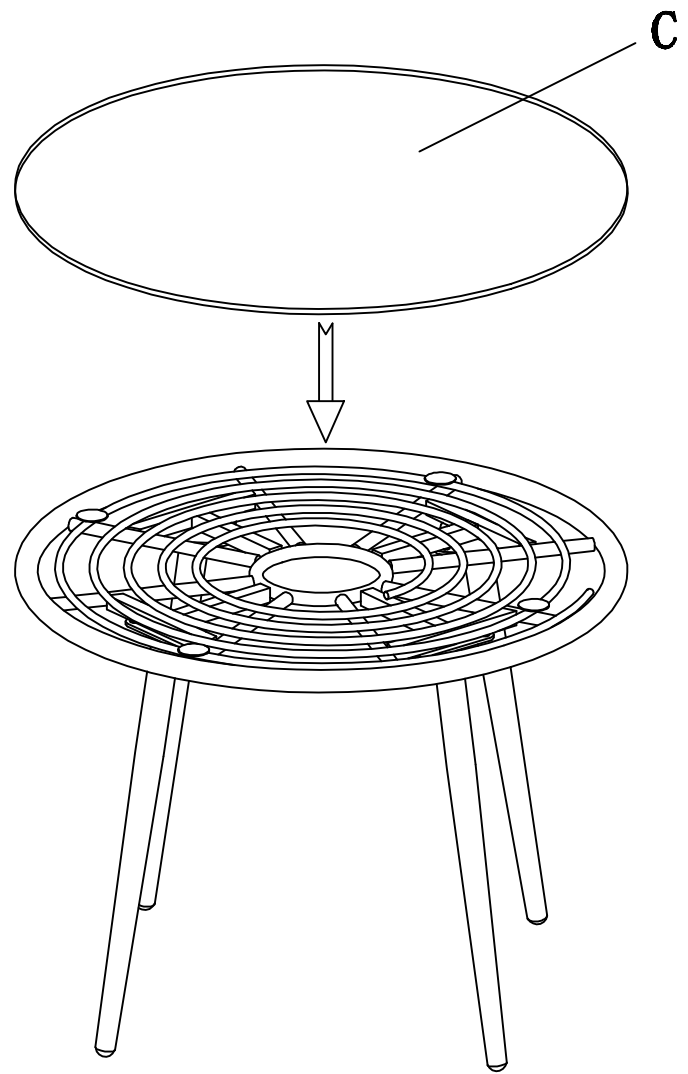


H*2

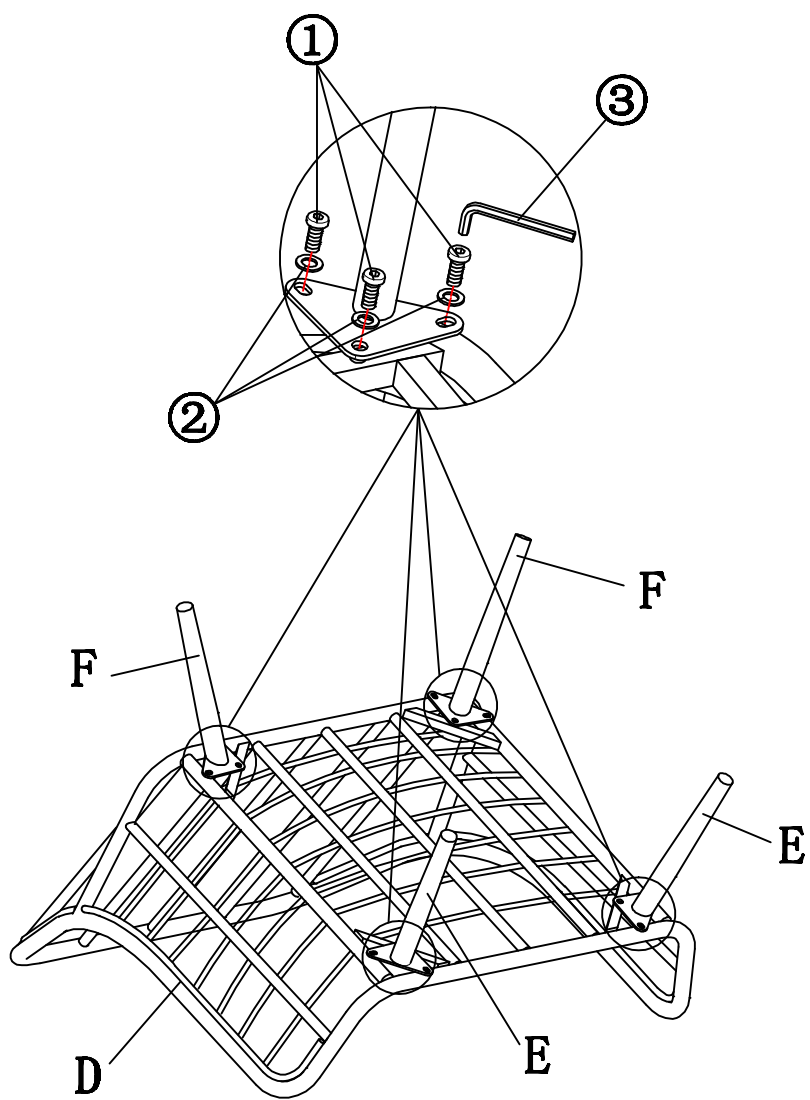
STEP1:



STEP2:



STEP3:



STEP4:

