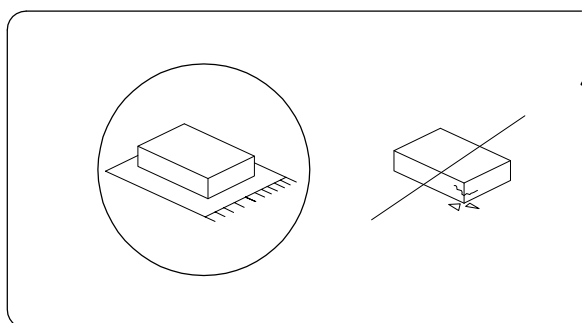

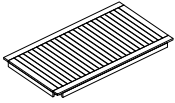
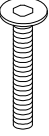


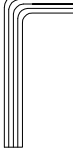


15'

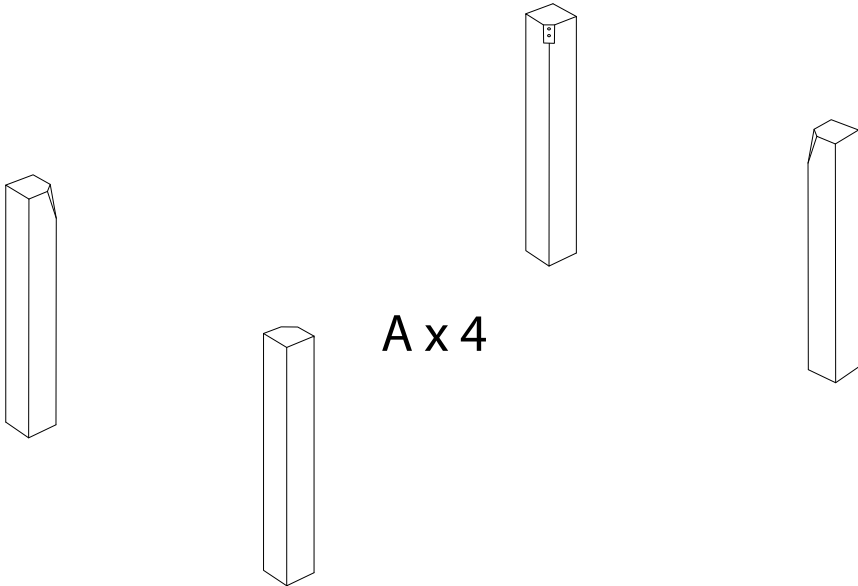
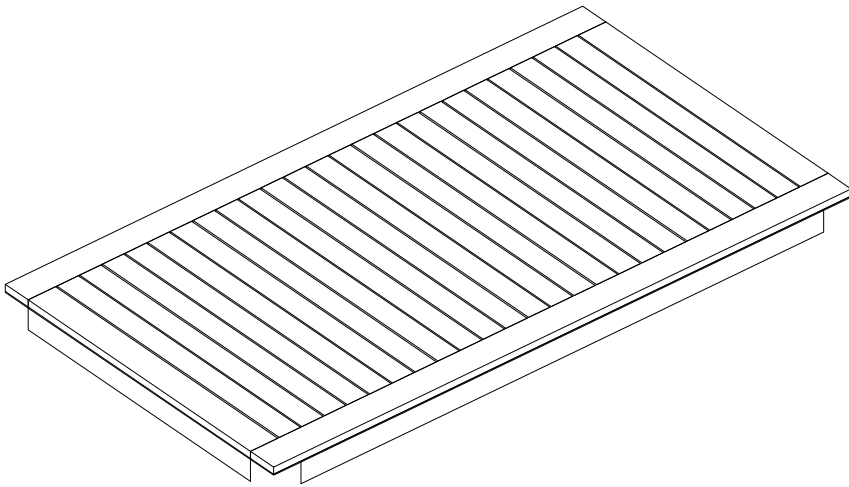


2

1/3

A	B	C	D	E	F
		 M8 x 60			
x 4	x 1	x 8	x 8	x 8	x 1

B



1

