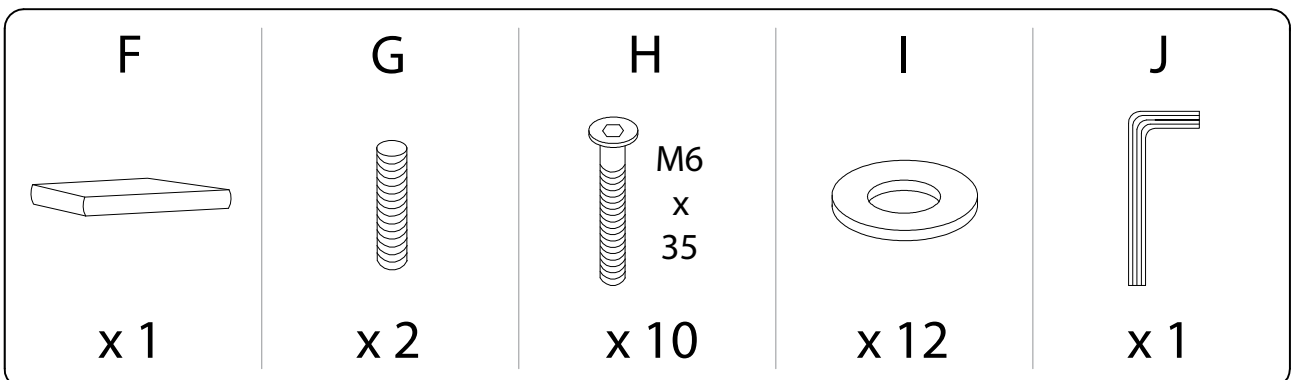
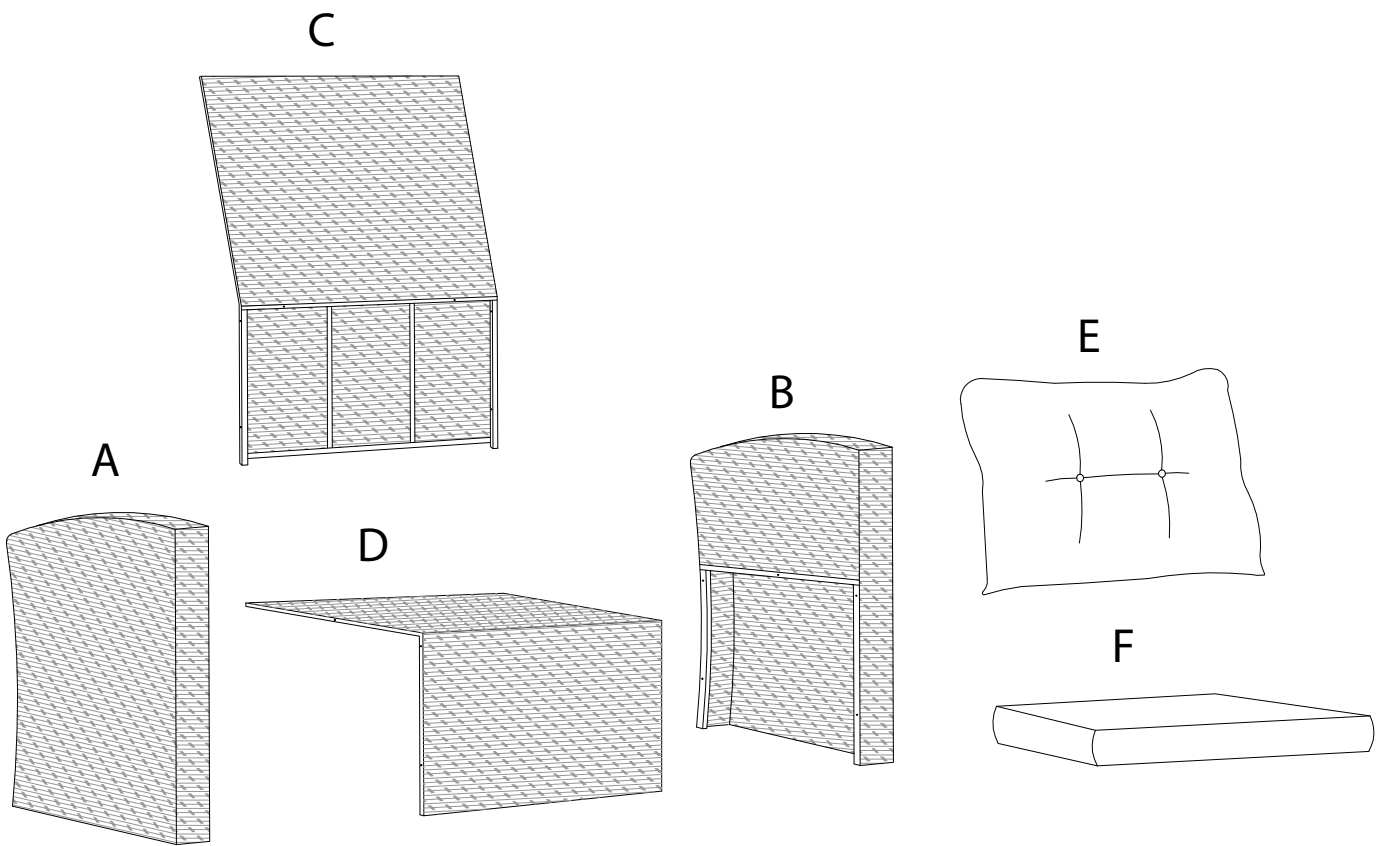
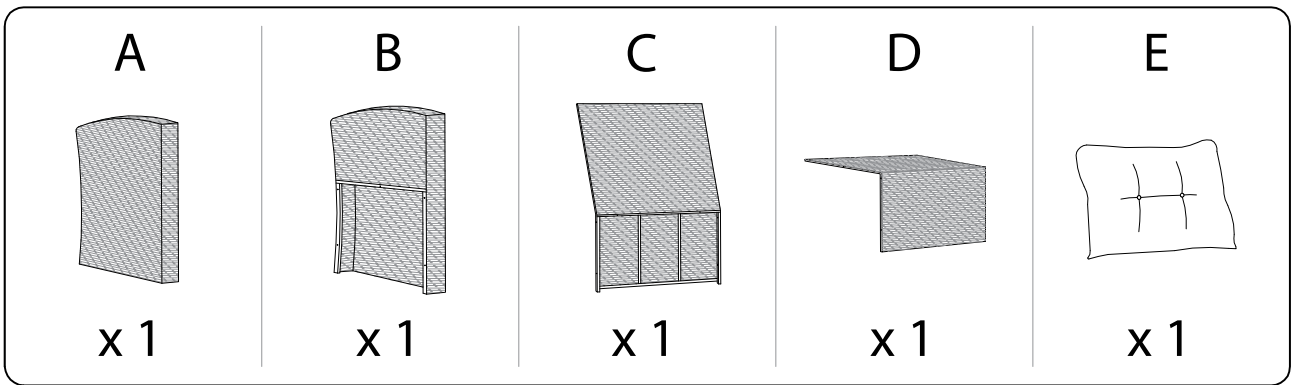


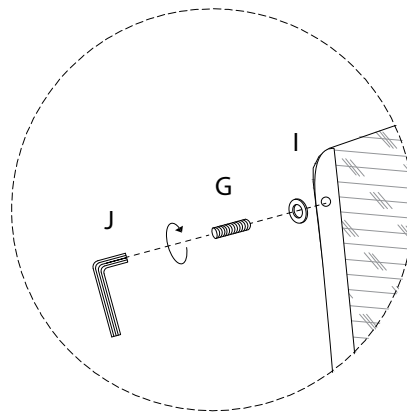
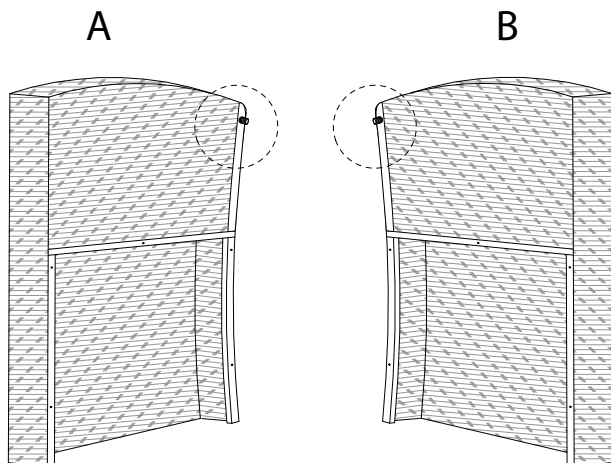
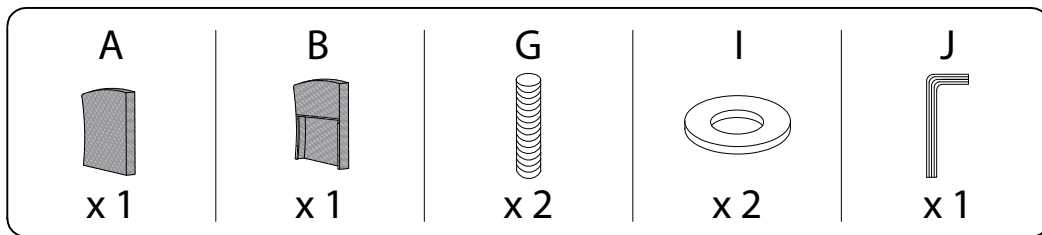
60'

2

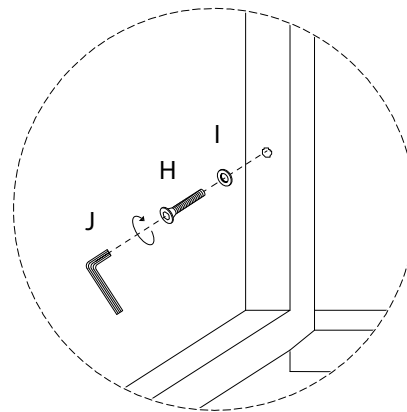
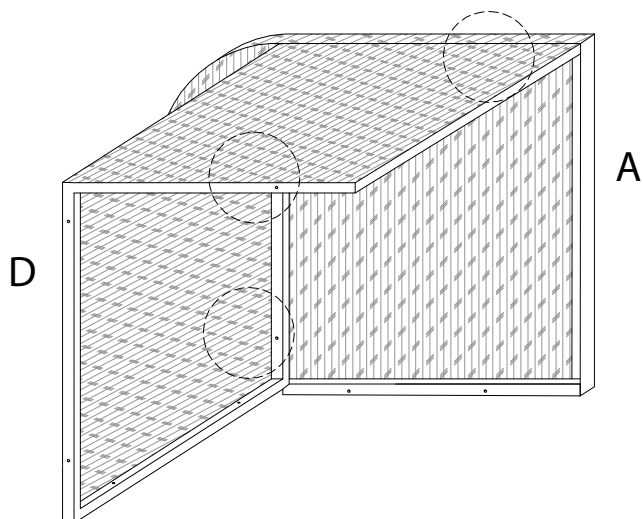
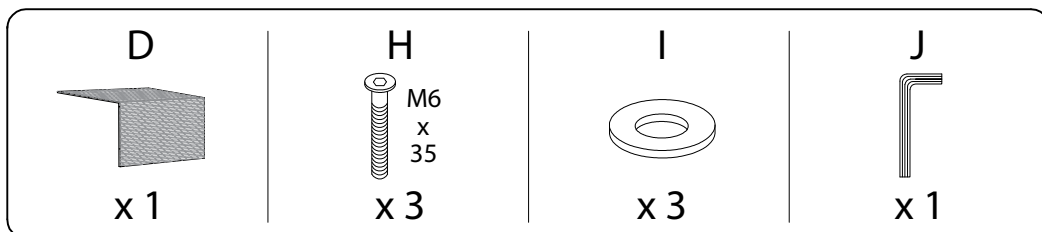
# A



1

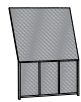


2



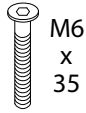
3

C



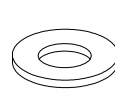
x 1

H



x 2

I

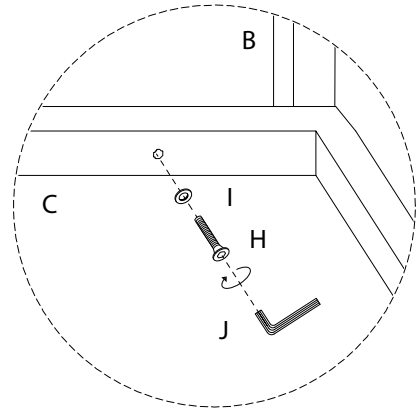
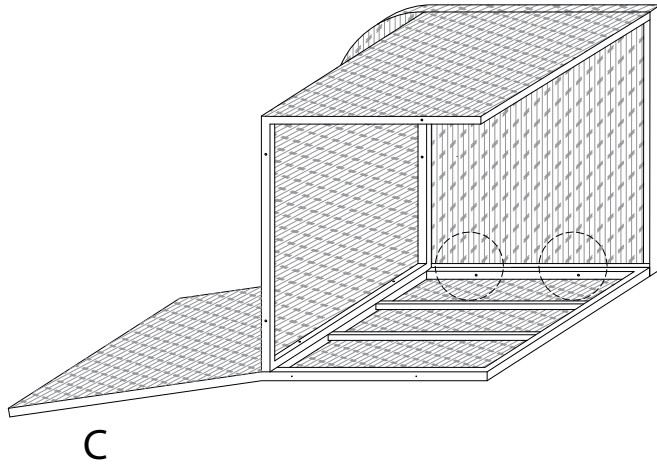


x 2

J

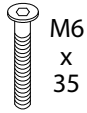


x 1



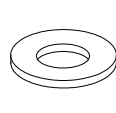
4

H



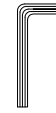
x 3

I

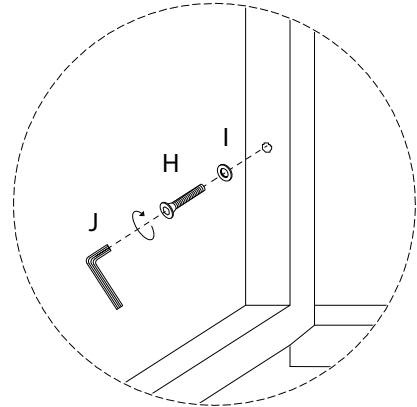
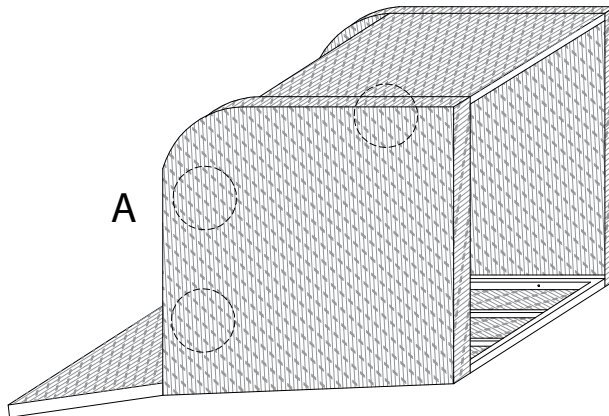


x 3

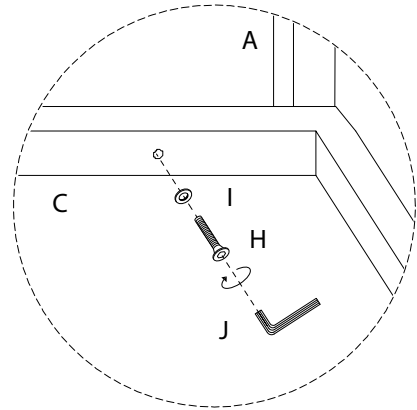
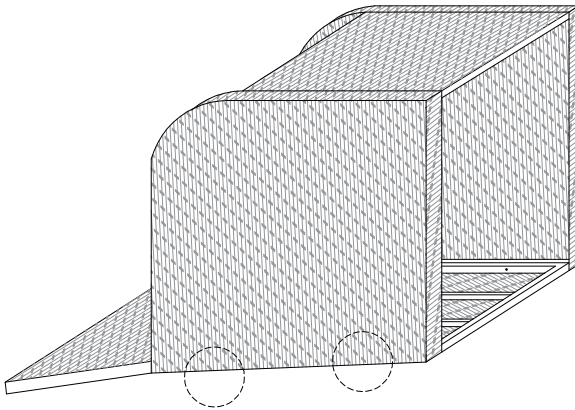
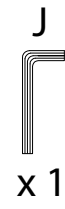
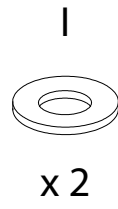
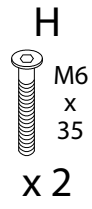
J



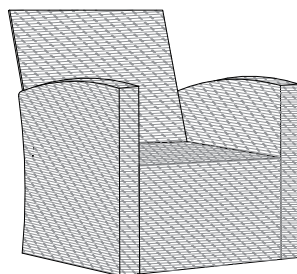
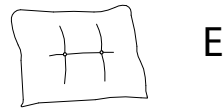
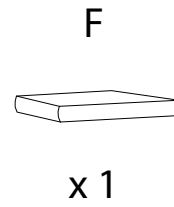
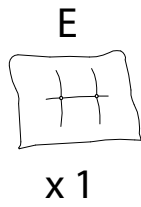
x 1



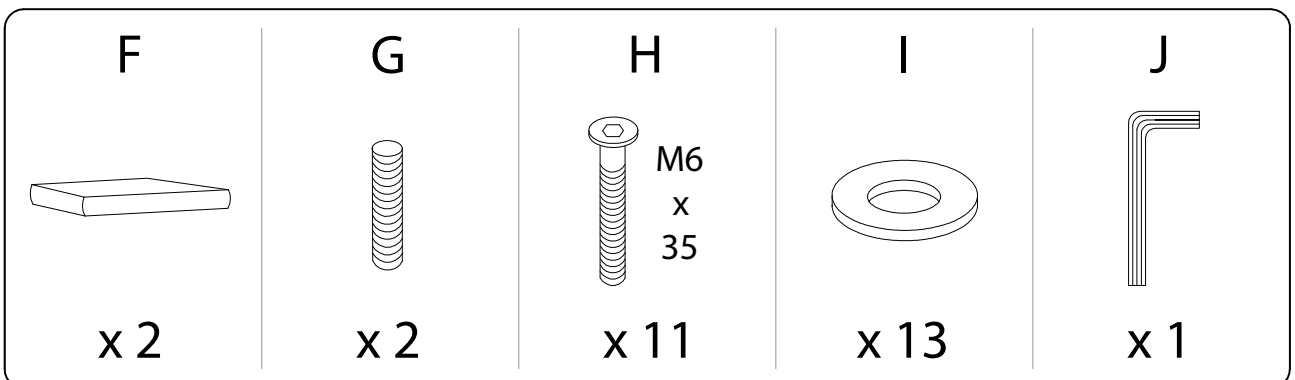
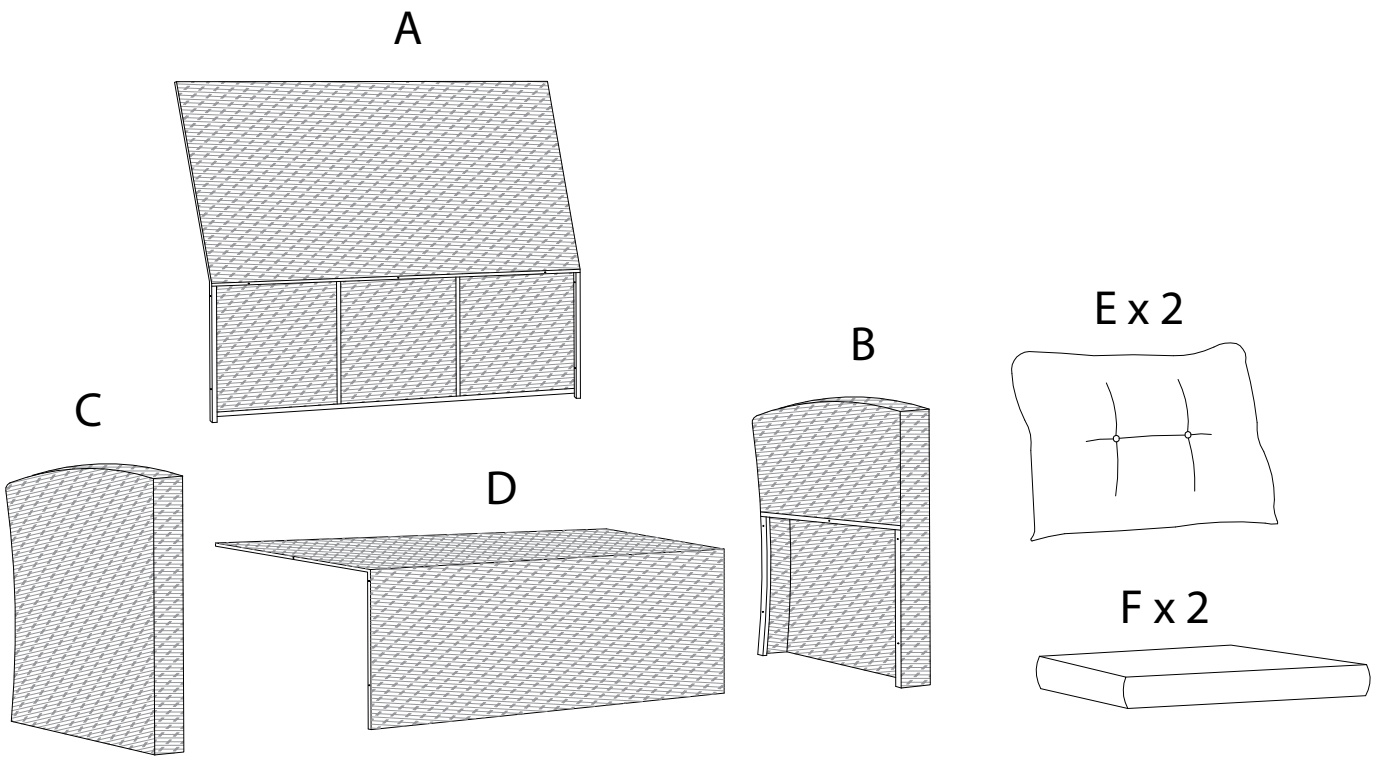
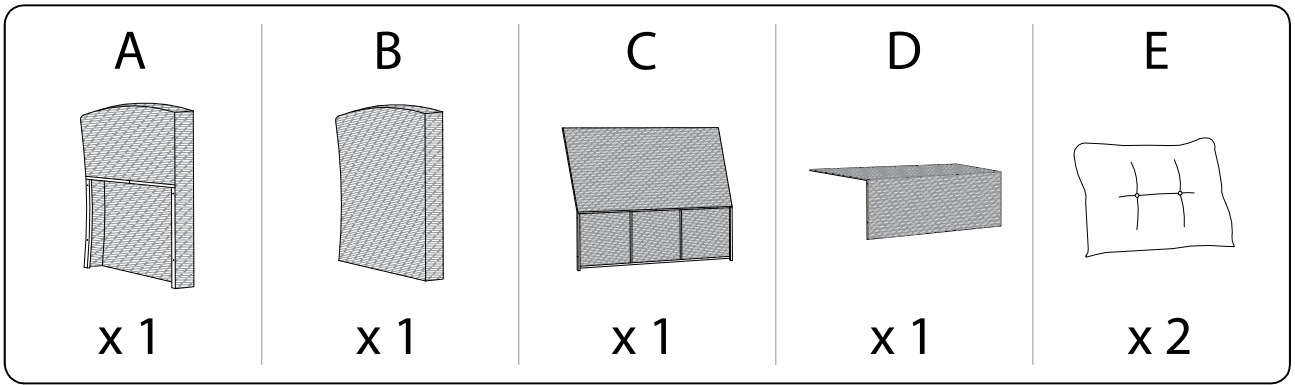
5



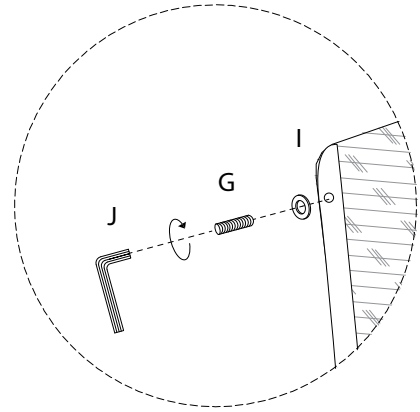
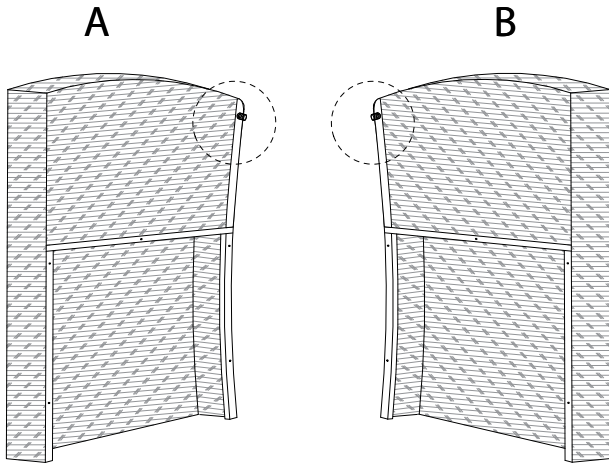
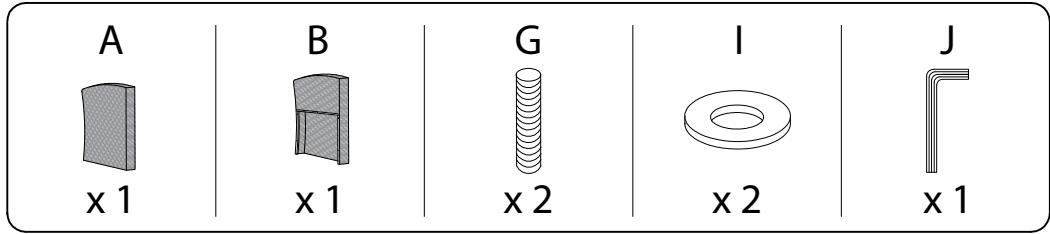
6



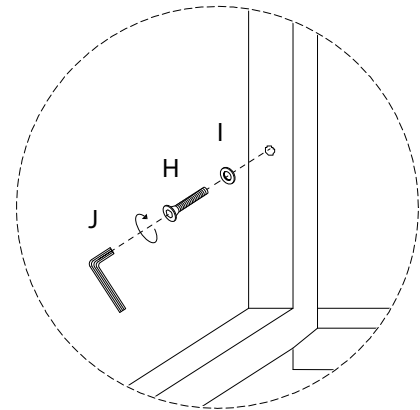
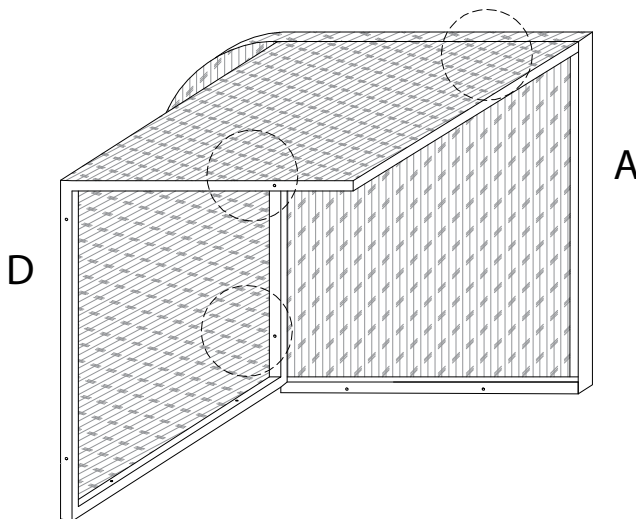
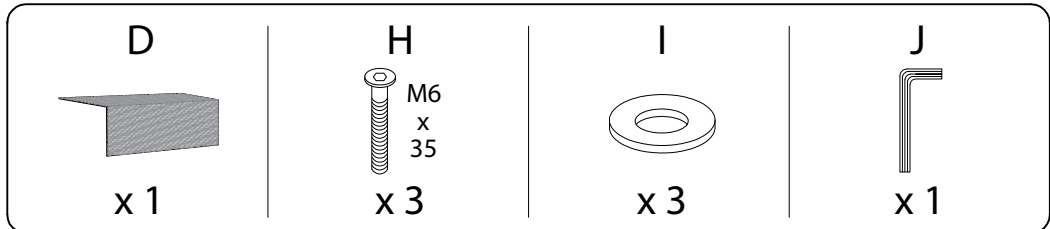
# B



1

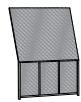


2



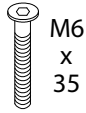
3

C



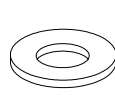
x 1

H



x 3

I

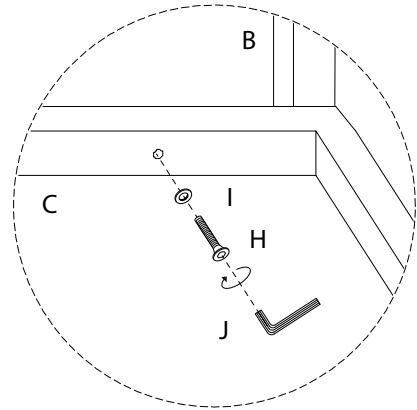
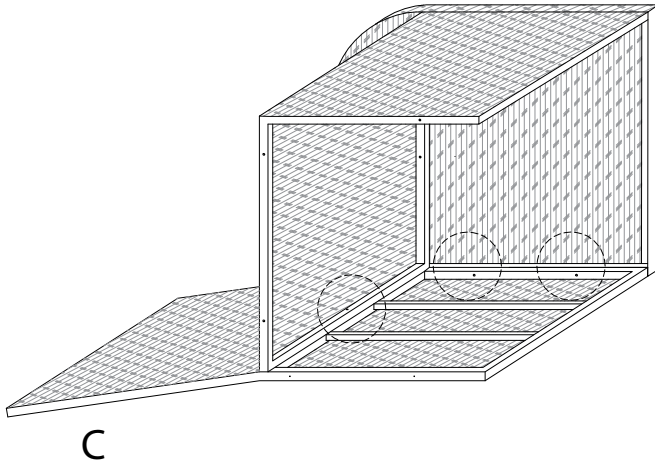


x 3

J

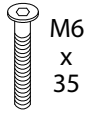


x 1



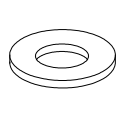
4

H



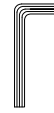
x 3

I

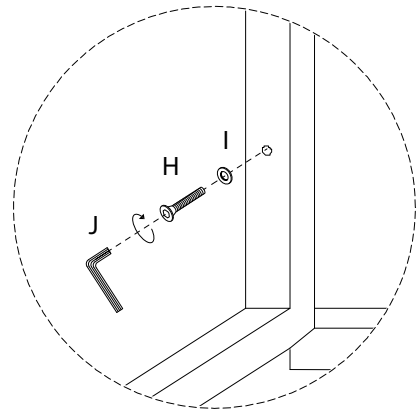
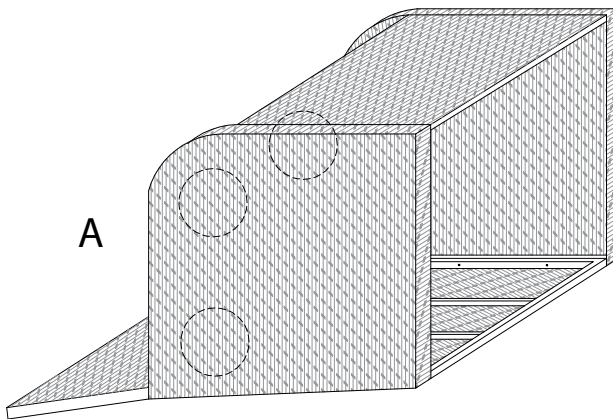


x 3

J

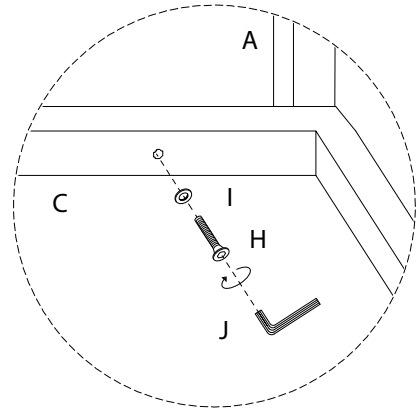
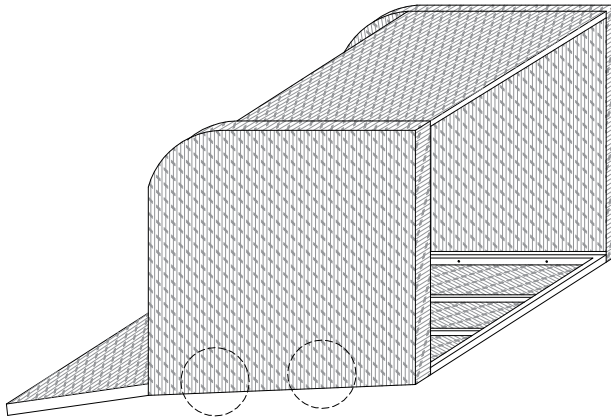
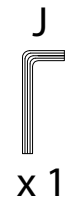
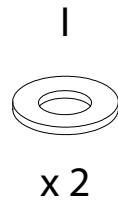
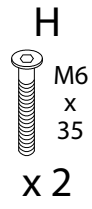


x 1

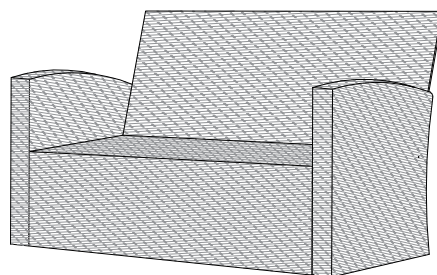
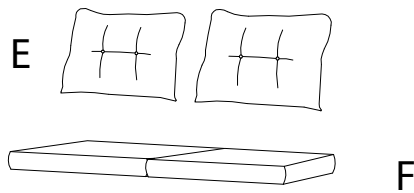
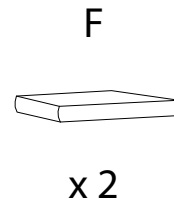
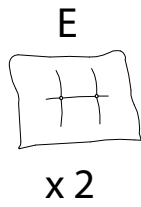




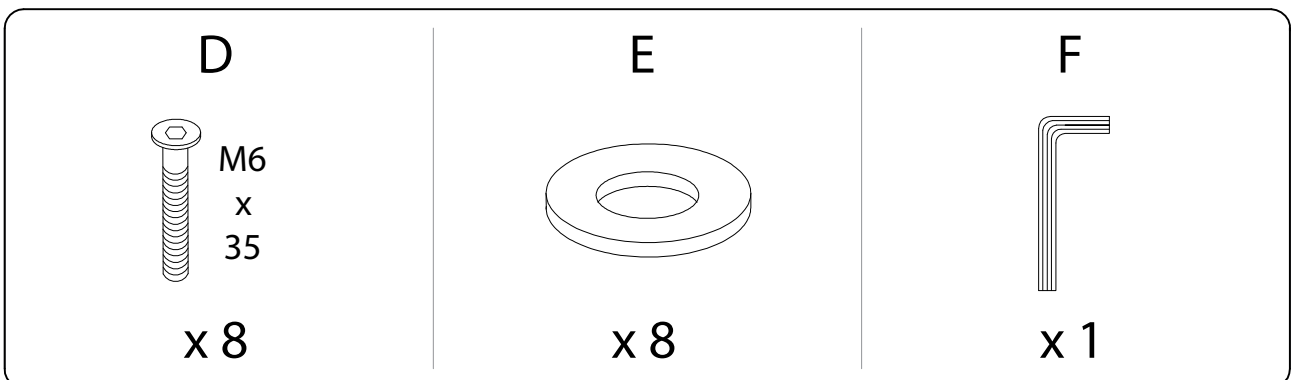
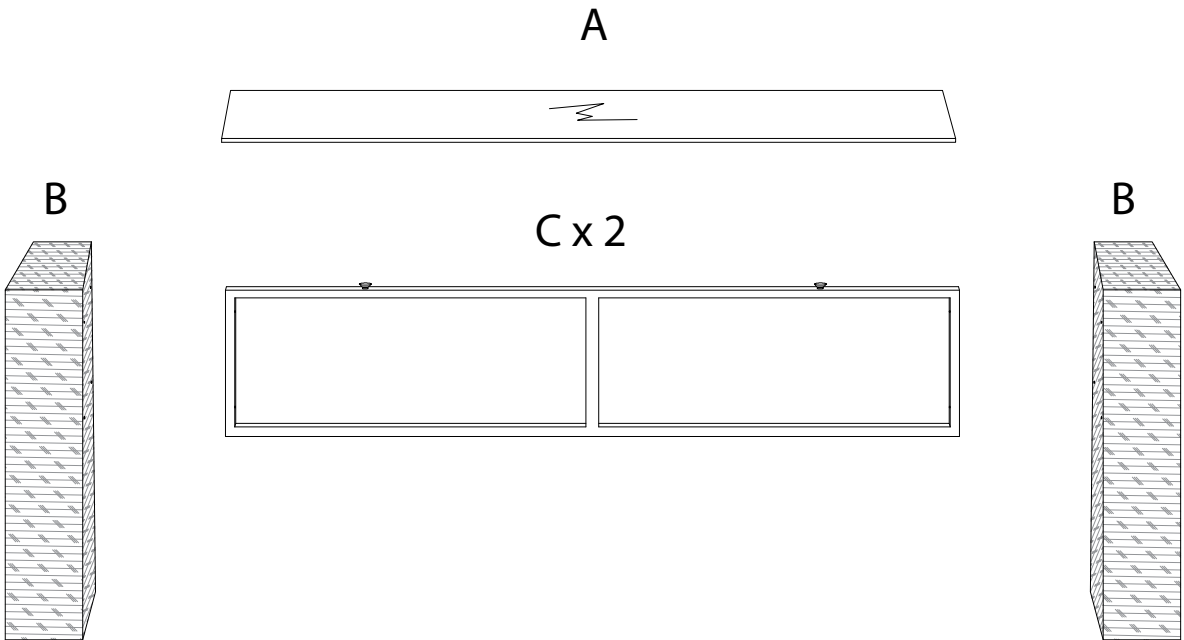
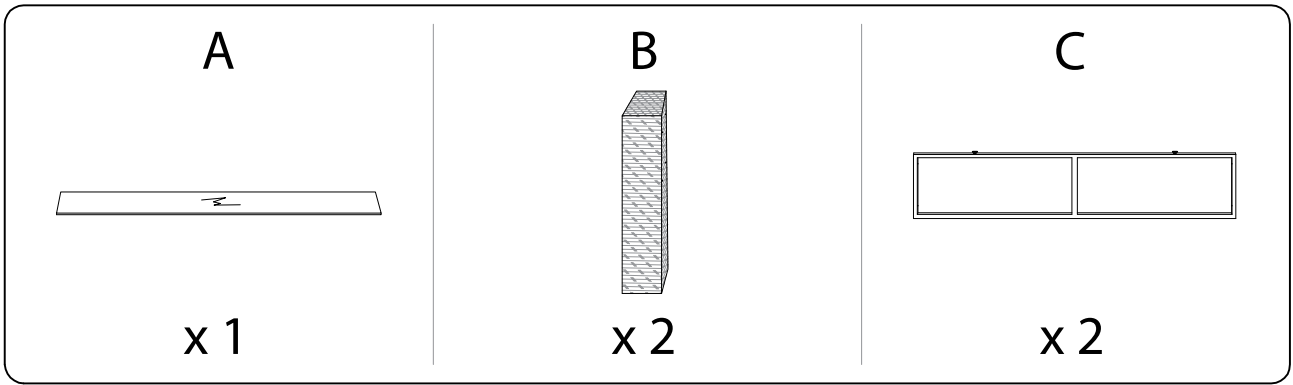
5



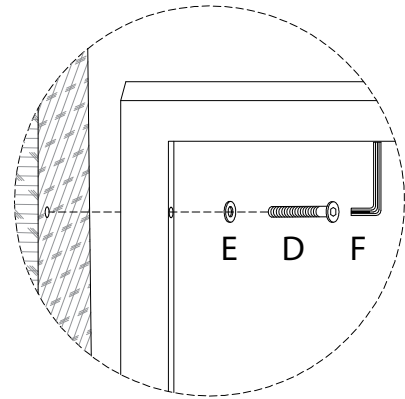
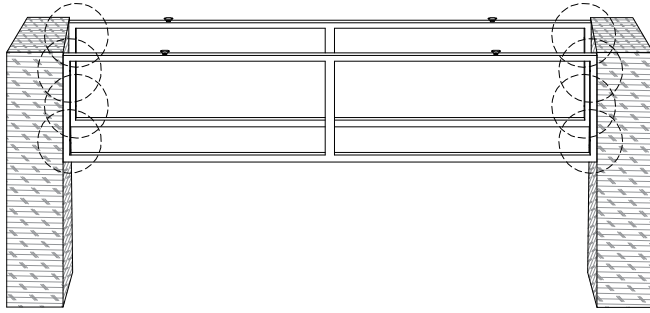
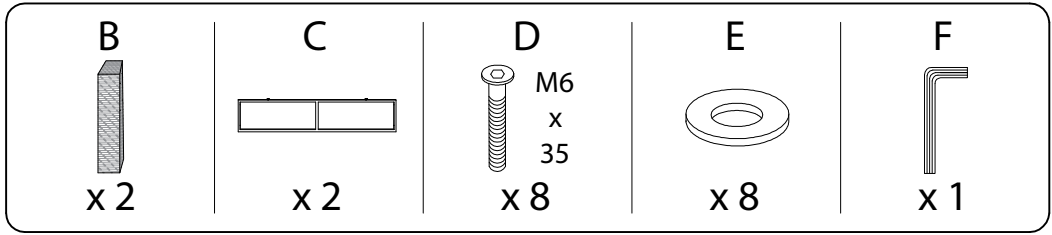
6



C



1



2

