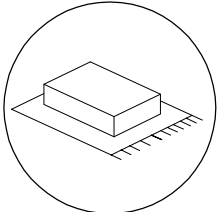
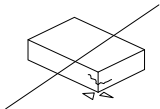


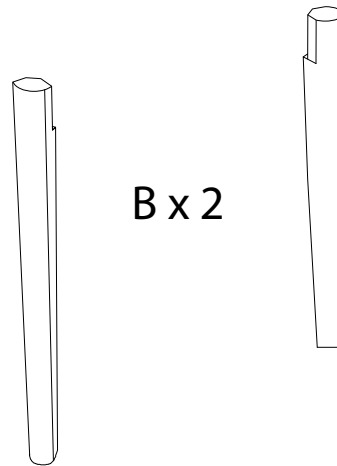
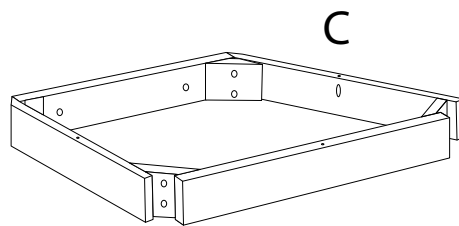
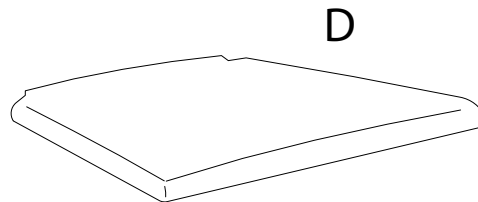
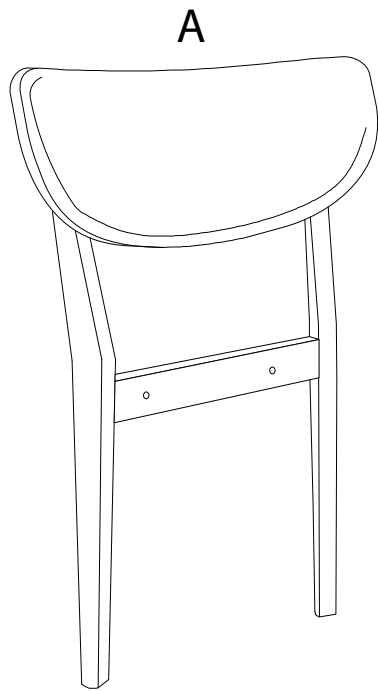
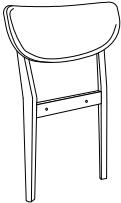

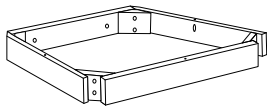
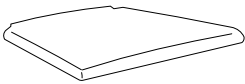
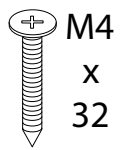

		<b>20'</b>
 		
		<b>1</b>



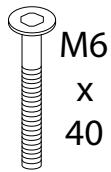
<b>A</b>	<b>B</b>	<b>C</b>	<b>D</b>
			
<b>x 1</b>	<b>x 2</b>	<b>x 1</b>	<b>x 1</b>

1



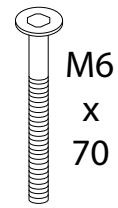
x 3

2



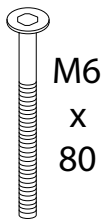
x 2

3



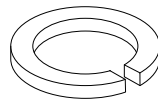
x 4

4



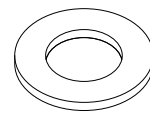
x 4

5



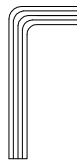
x 10

6




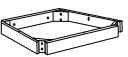
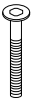

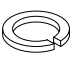

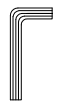
x 10

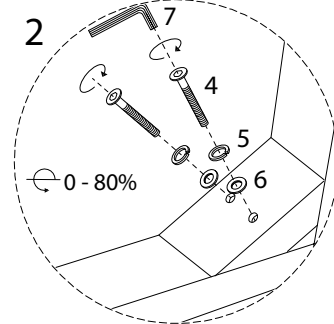
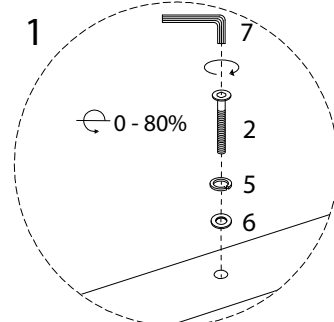
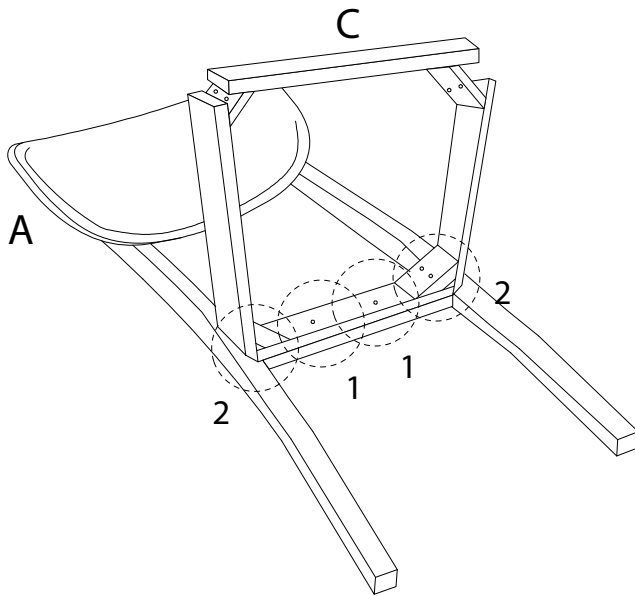
7




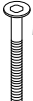



x 1

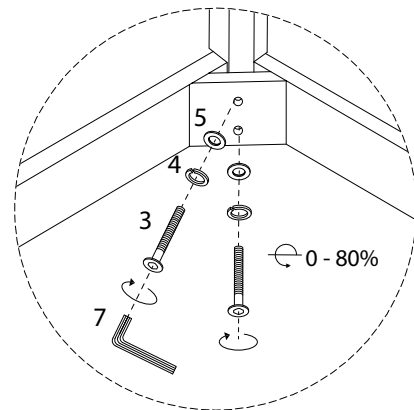
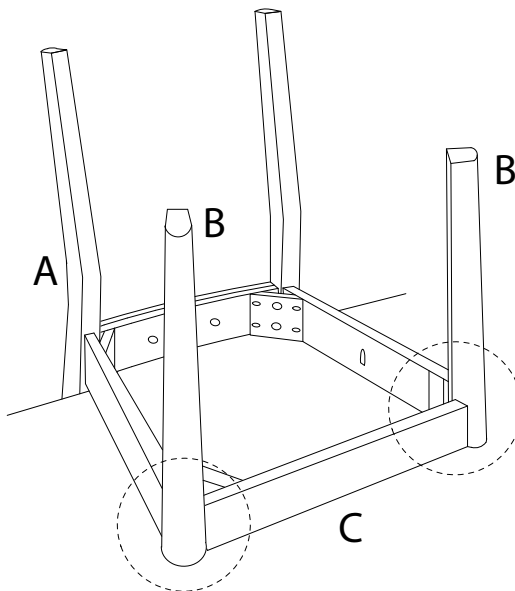
1

<b>A</b>  x 1	<b>C</b>  x 1	<b>2</b>  x 2	<b>4</b>  x 4	<b>5</b>  x 6	<b>6</b>  x 6	<b>7</b>  x 1
------------------------------------------------------------------------------------------------------	------------------------------------------------------------------------------------------------------	------------------------------------------------------------------------------------------------------	------------------------------------------------------------------------------------------------------	--------------------------------------------------------------------------------------------------------	--------------------------------------------------------------------------------------------------------	--------------------------------------------------------------------------------------------------------



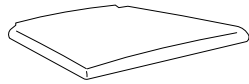
2

<b>B</b>  x 2	<b>3</b>  x 4	<b>5</b>  x 4	<b>6</b>  x 4	<b>7</b>  x 1
--------------------------------------------------------------------------------------------------------	--------------------------------------------------------------------------------------------------------	--------------------------------------------------------------------------------------------------------	----------------------------------------------------------------------------------------------------------	----------------------------------------------------------------------------------------------------------



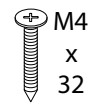
3

D

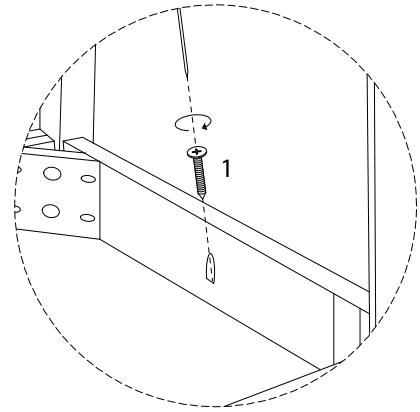
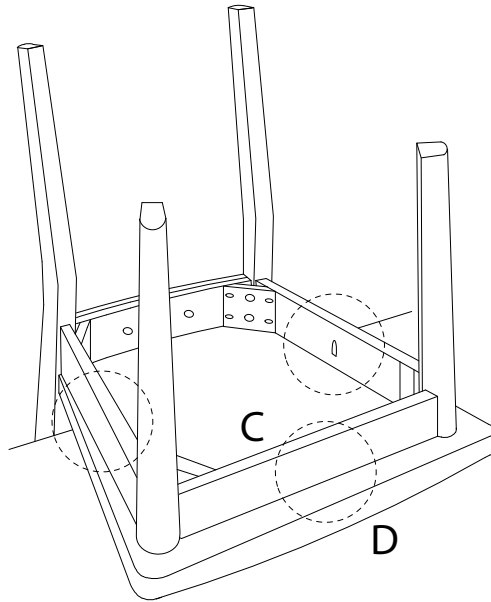


x 1

1

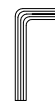


x 3



4

7



x 1

