

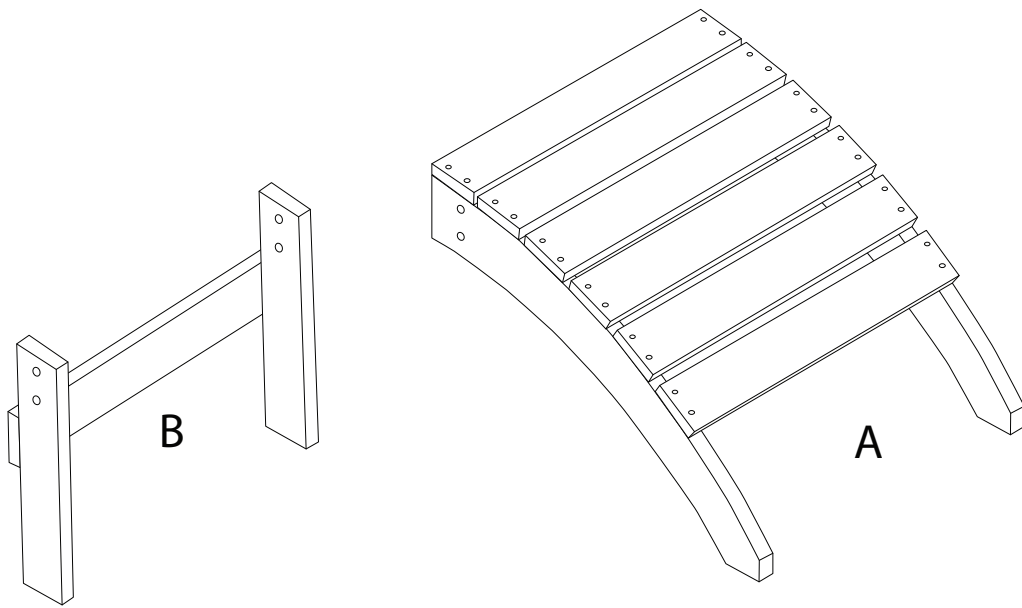
Assembly instructions for the stool, including tool requirements, time, and person count.

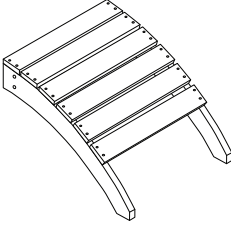
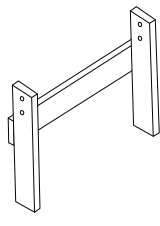
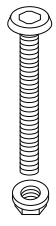
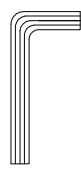
Tools: An icon shows an Allen key and a wrench inside a circle, and a power drill with a slash through it, indicating that a power drill is not required.

Time: A clock icon indicates an estimated assembly time of 5 minutes.

Personnel: An icon of a person indicates that 1 person is required for assembly.

Warnings: Two warning triangles with exclamation marks are present. The top one is connected to the tool icons, and the bottom one is connected to the person icon.



<p>A</p>  <p>x 1</p>	<p>B</p>  <p>x 1</p>	<p>AA</p>  <p>M4 x 50</p> <p>x 4</p>	<p>BB</p>  <p>x 1</p>
---	---	---	--

1

