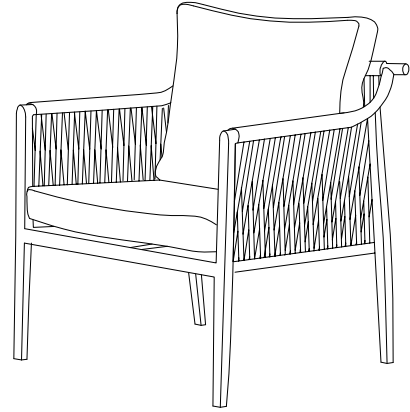
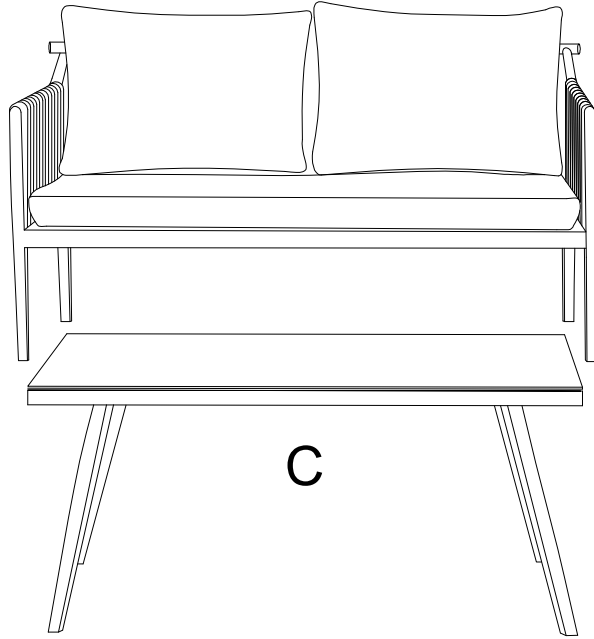
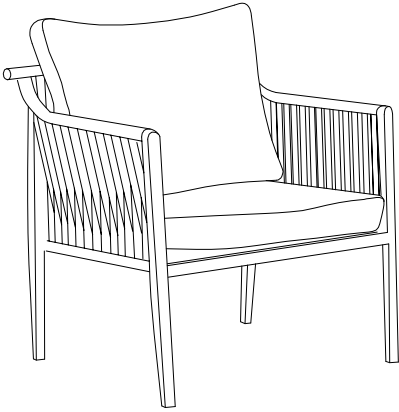


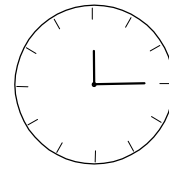
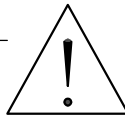
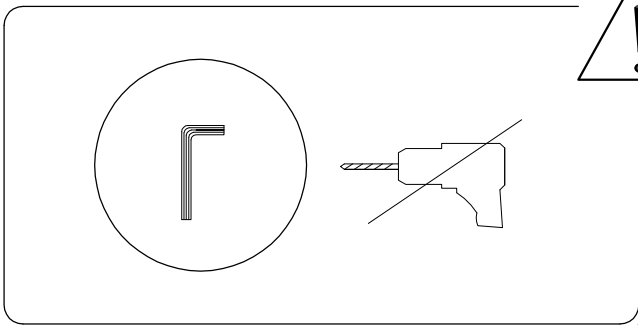
A

B

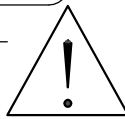
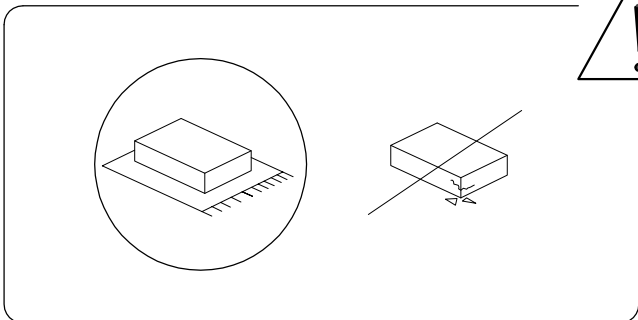
A



C



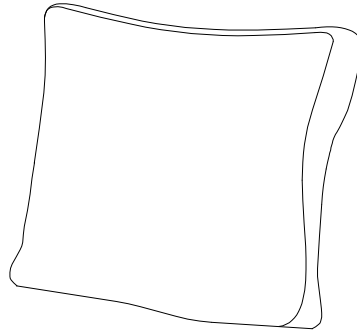
15'



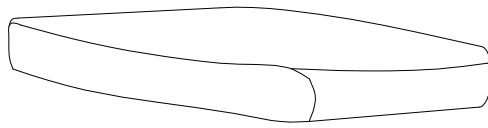
1

1/7

A



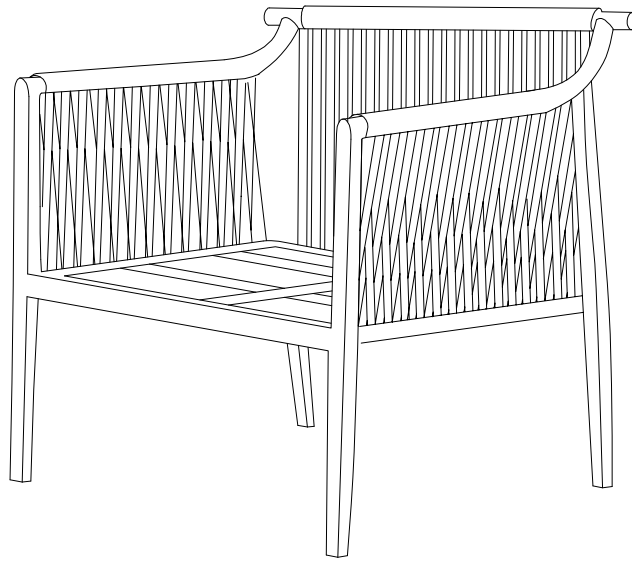
A



B

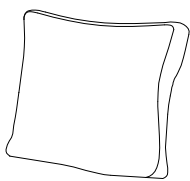


C



D

A



x 1

B



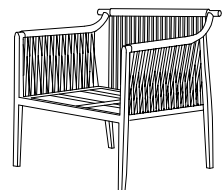
x 1

C



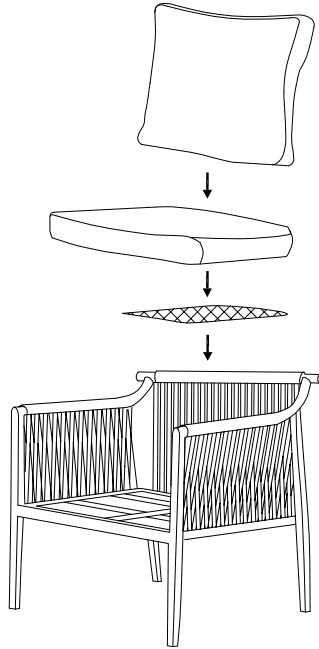
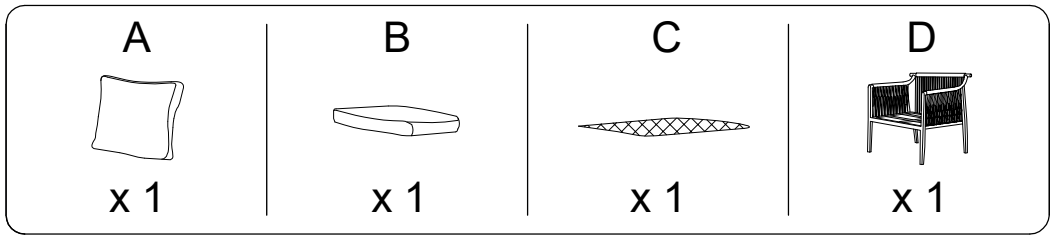
x 1

D

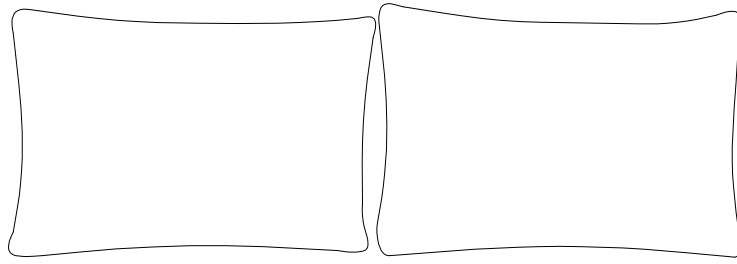


x 1

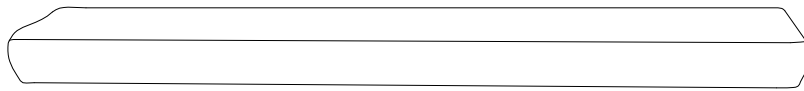
1



# B



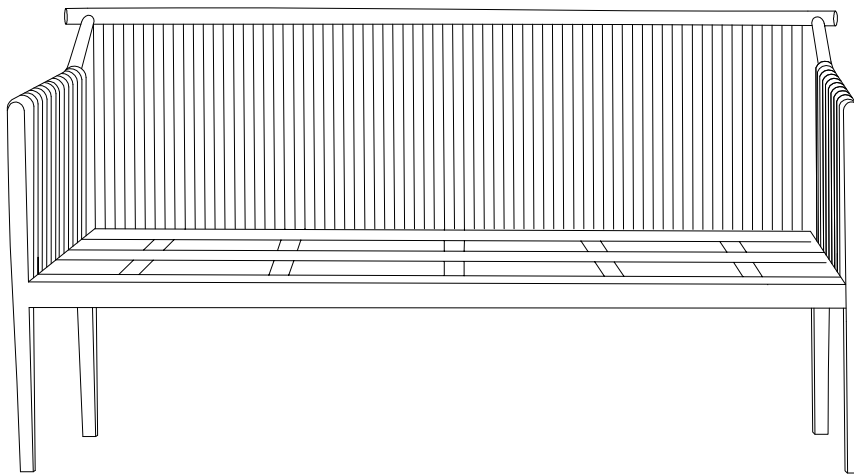
A



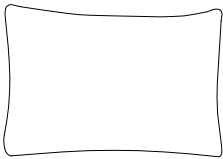
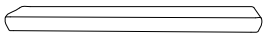

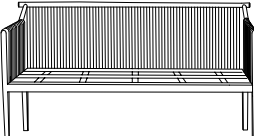
B



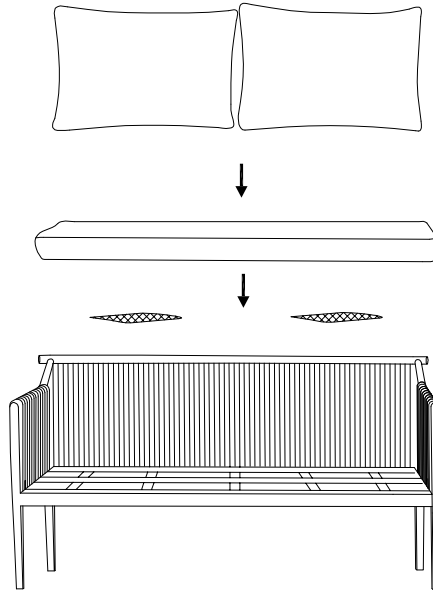
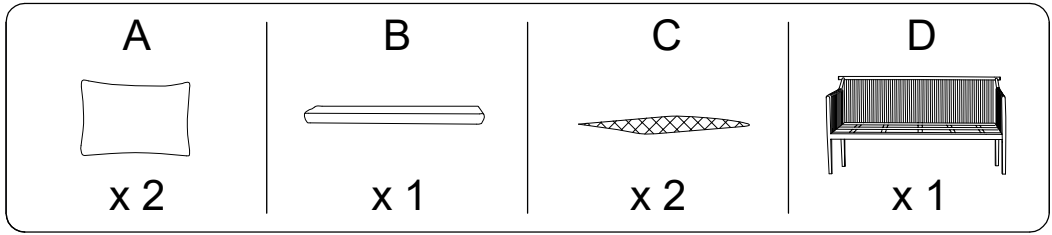
C



D

A	B	C	D
			
x 2	x 1	x 2	x 1

1

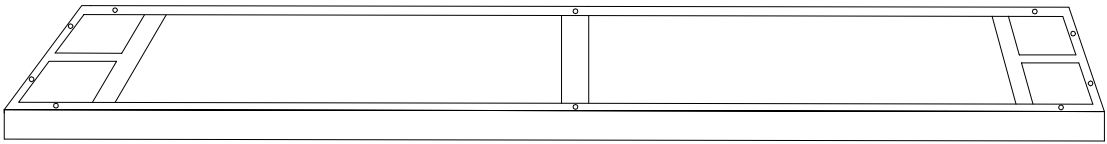


# B

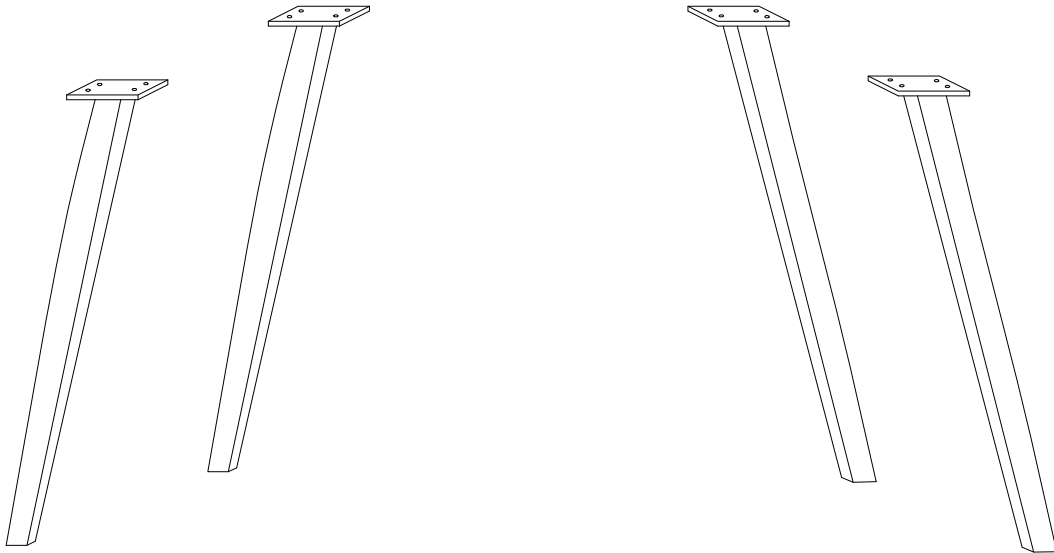
A




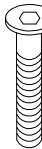



B

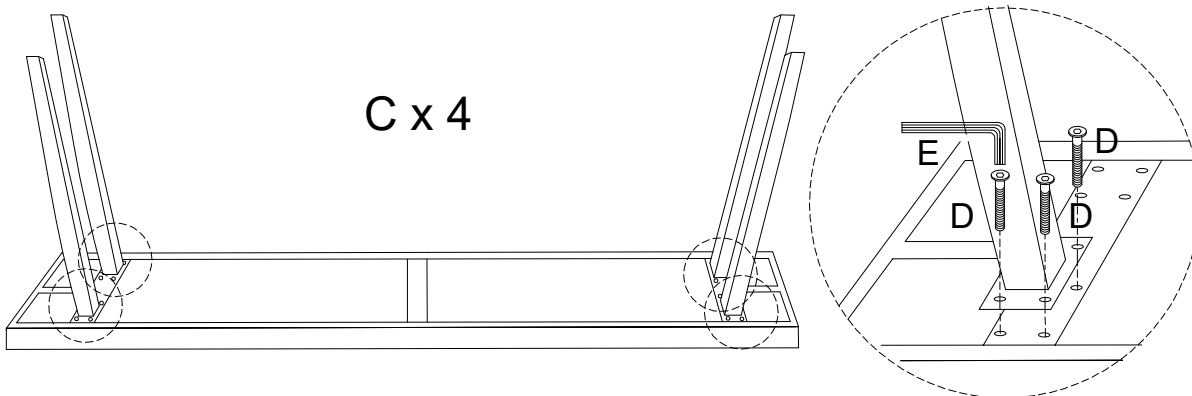
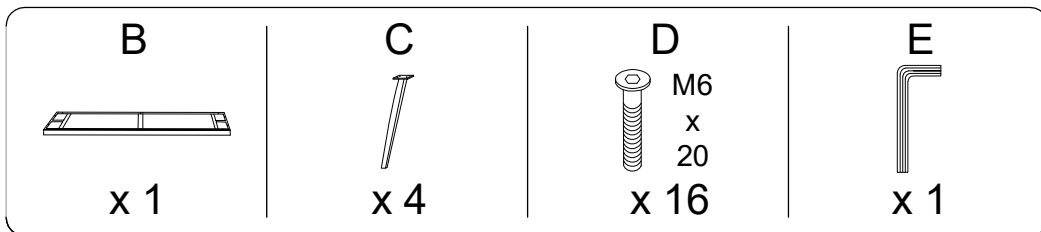


C x 4



A	B	C	D	E
			 M6 x 20	
x 1	x 1	x 4	x 16	x 1

1



2

