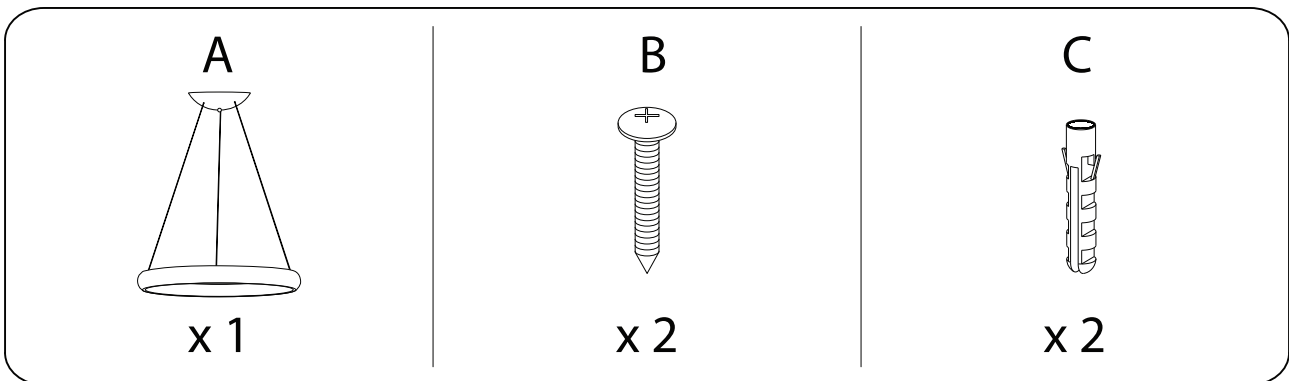
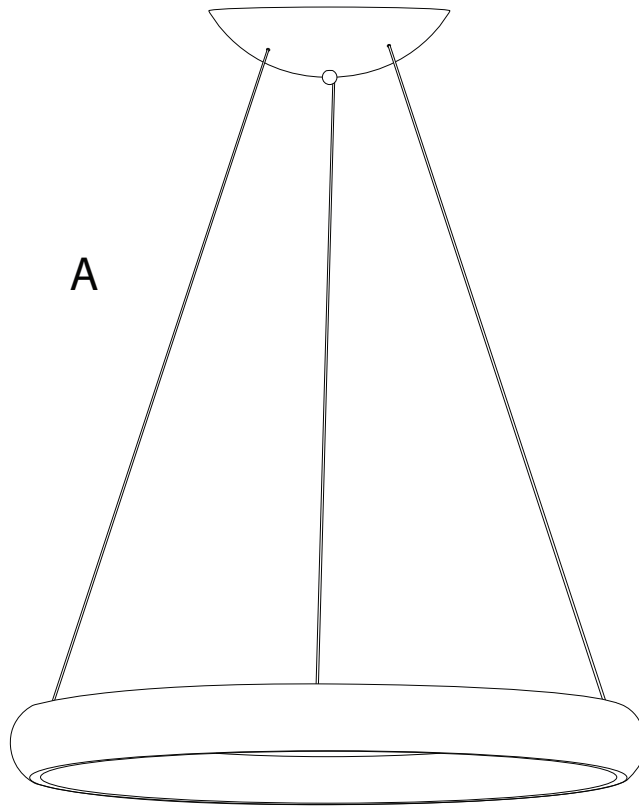
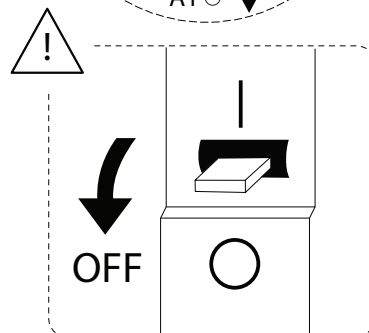
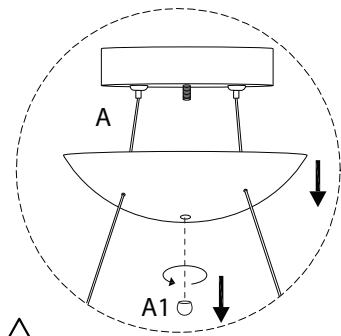
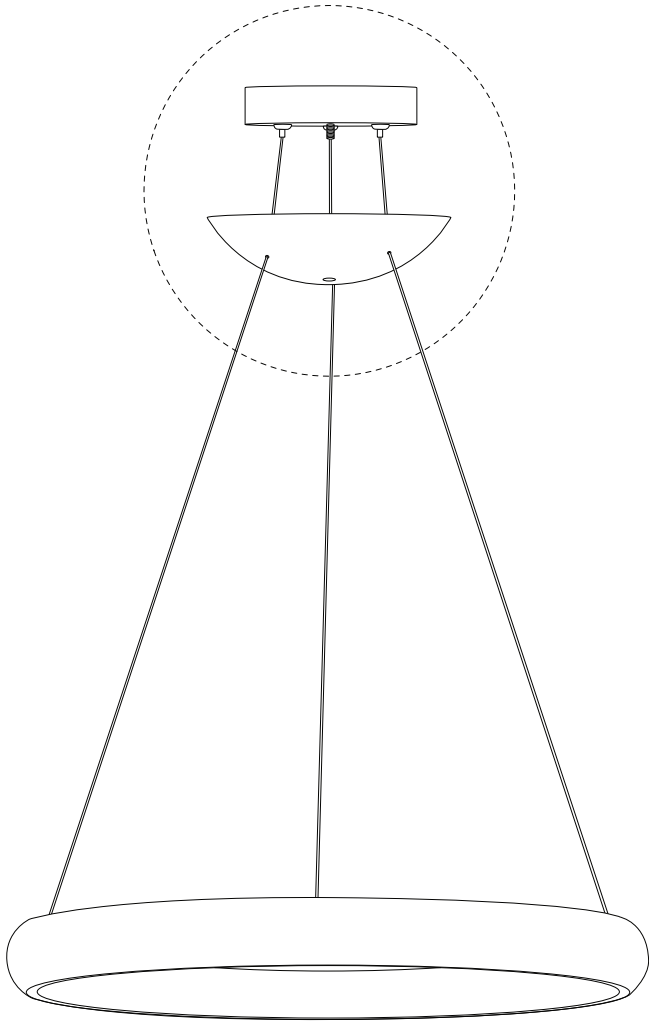
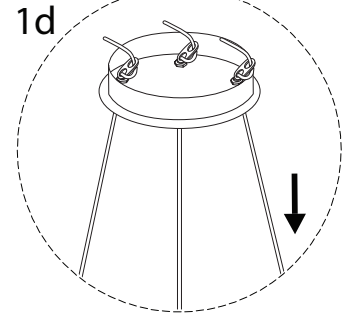
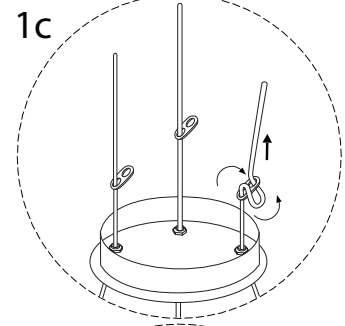
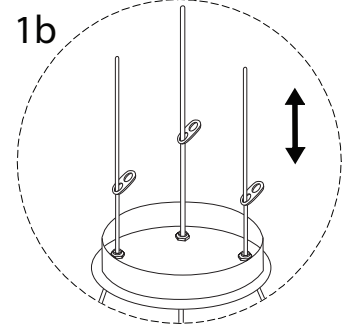
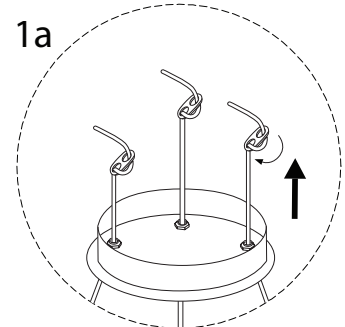
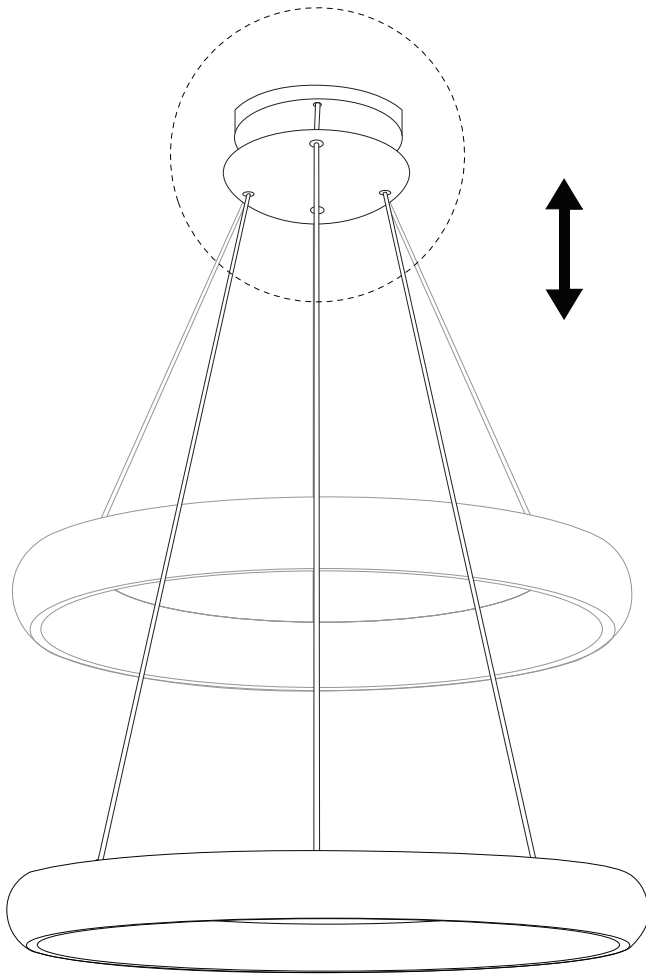

		10'
		1



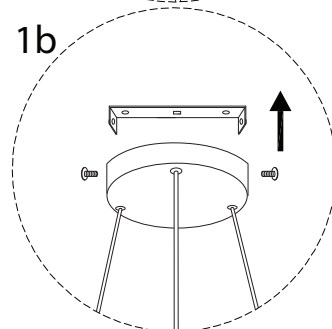
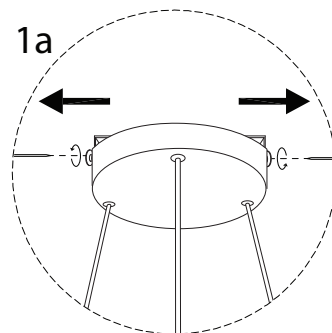
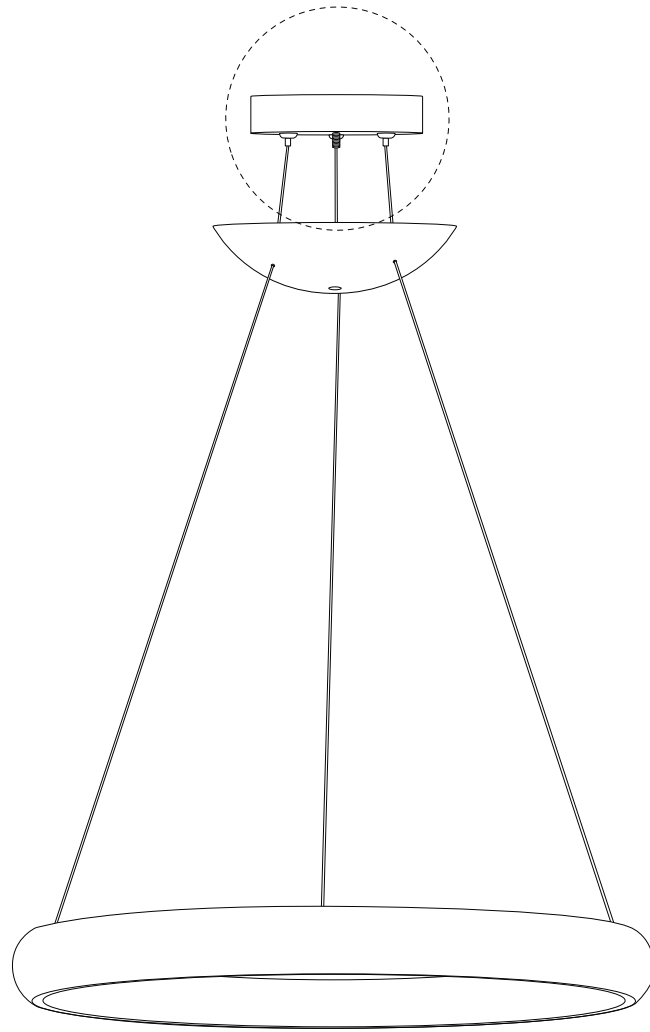
1



!

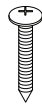


2



3

B

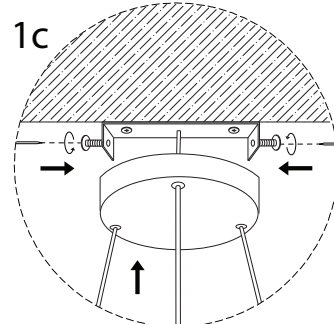
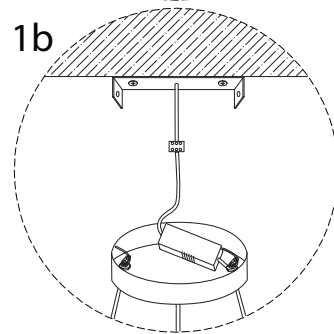
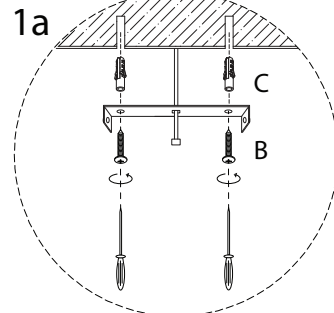
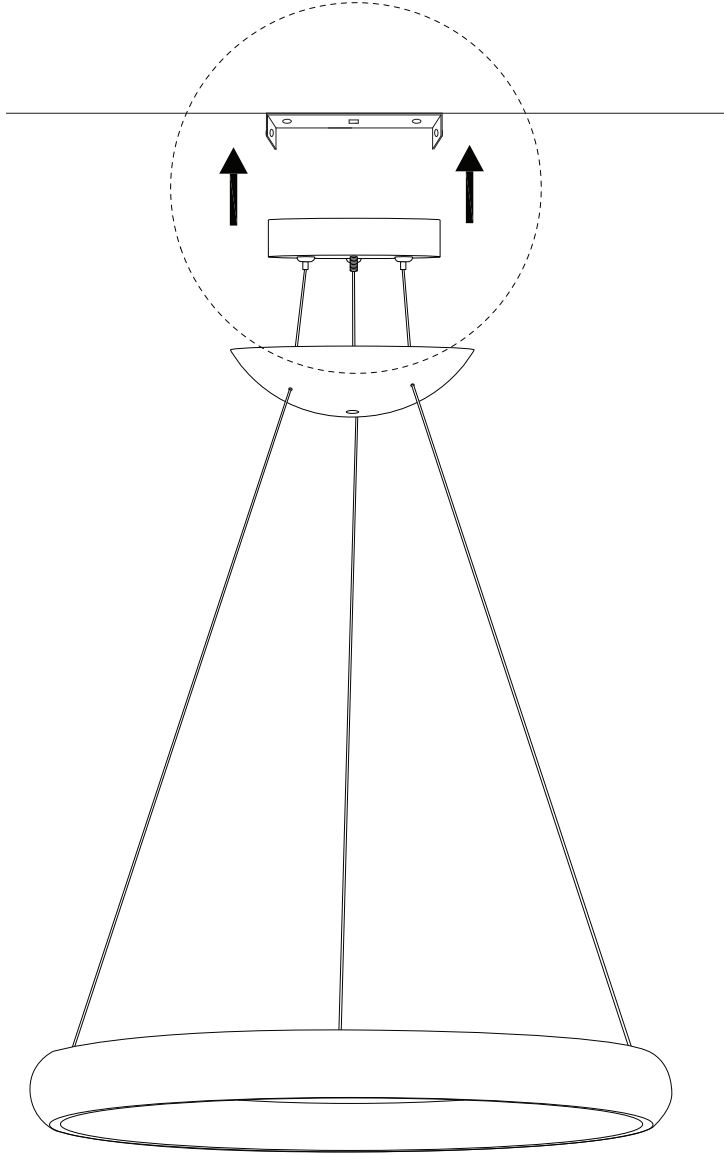


x 2

C



x 2



4

A1



x 1

