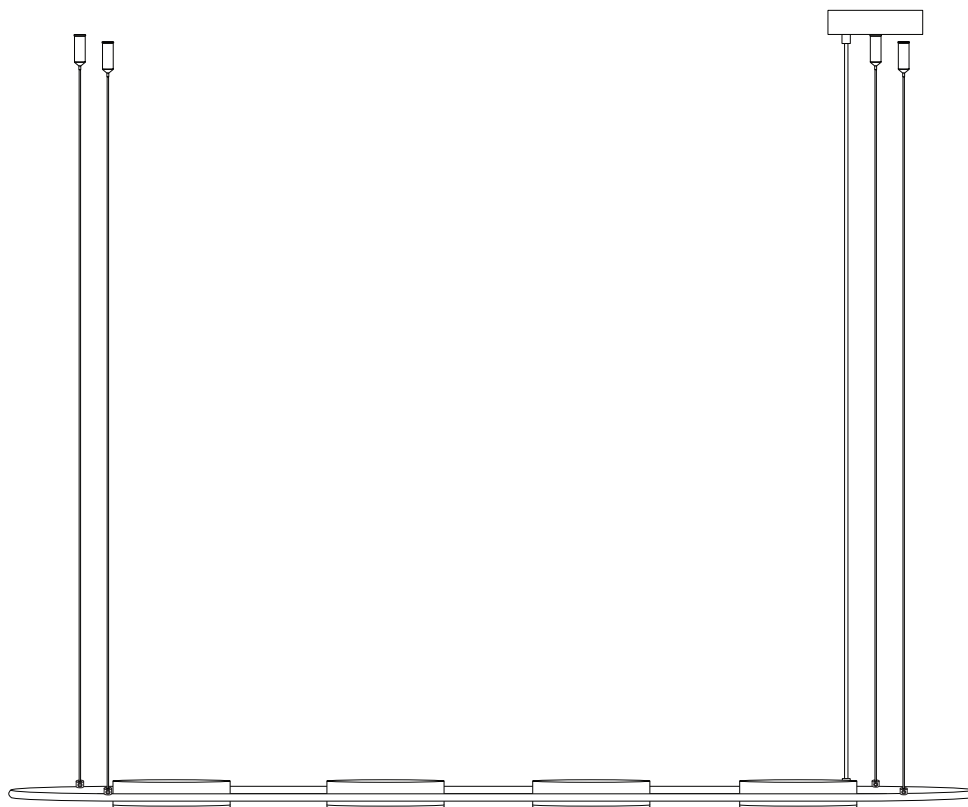
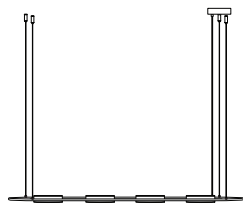

		20'
		1

A

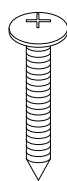


A



x 1

B



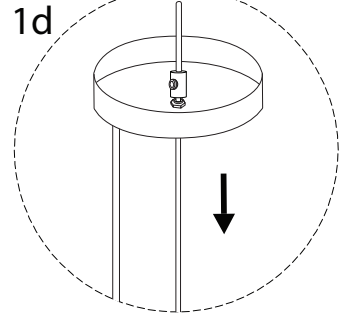
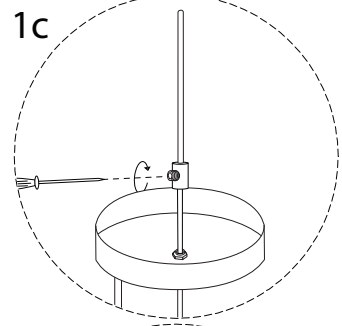
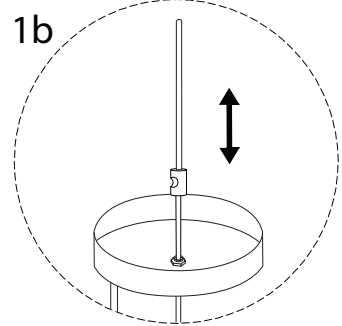
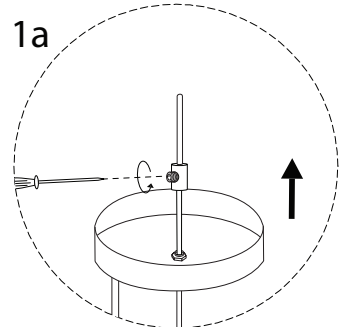
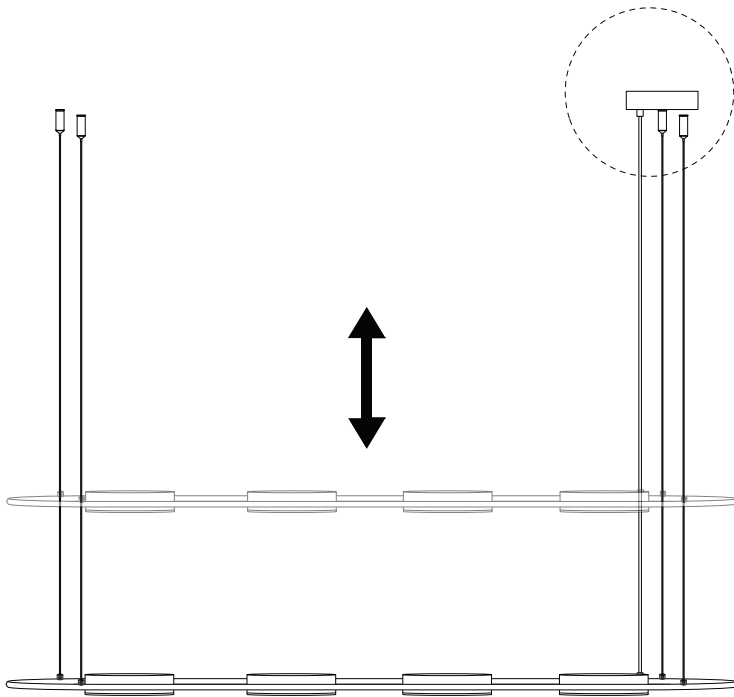
x 5

C

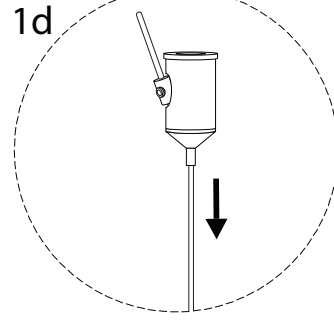
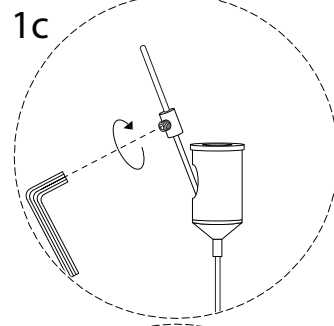
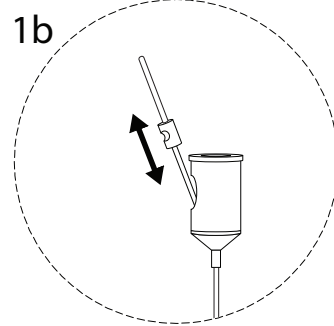
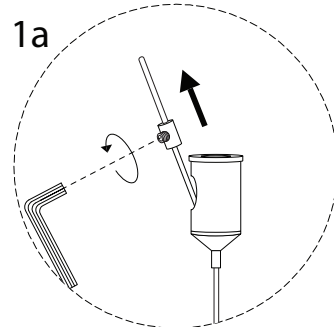
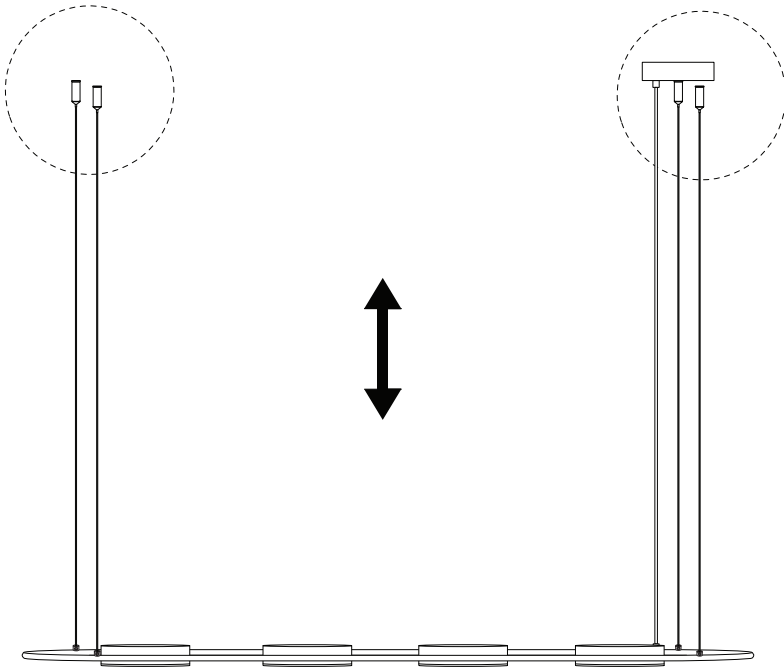


x 5

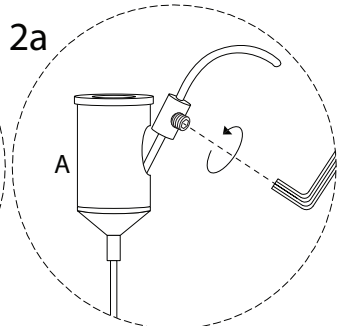
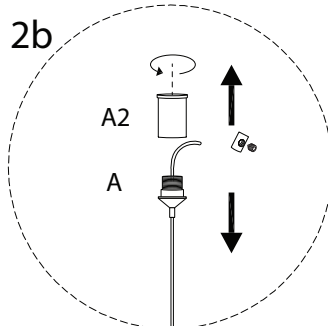
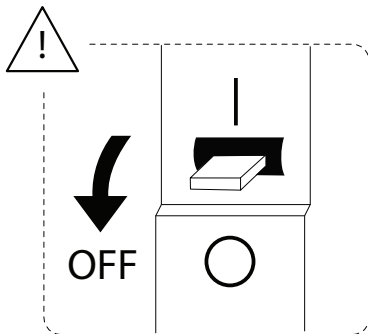
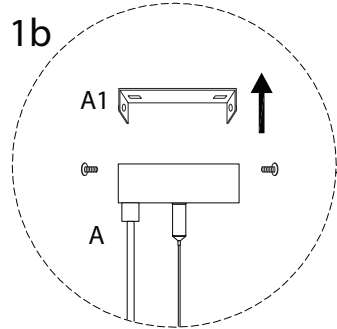
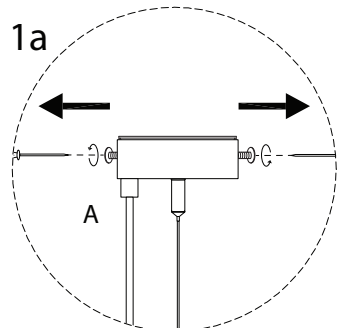
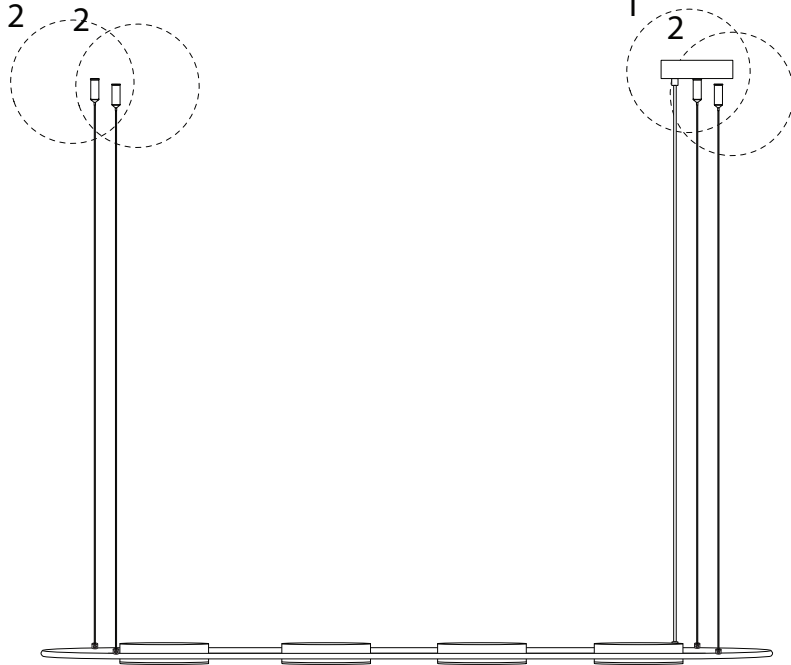
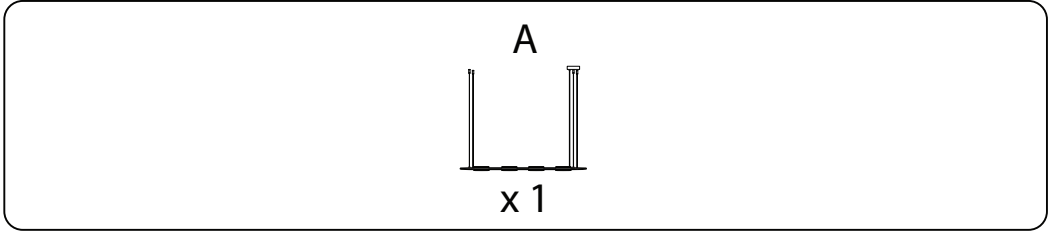
!




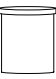
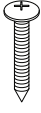

!



1



2

A1  x 1	A2  x 3	B  x 5	C  x 5
---	---	--	--

