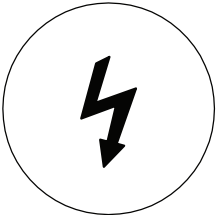

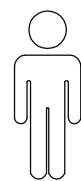
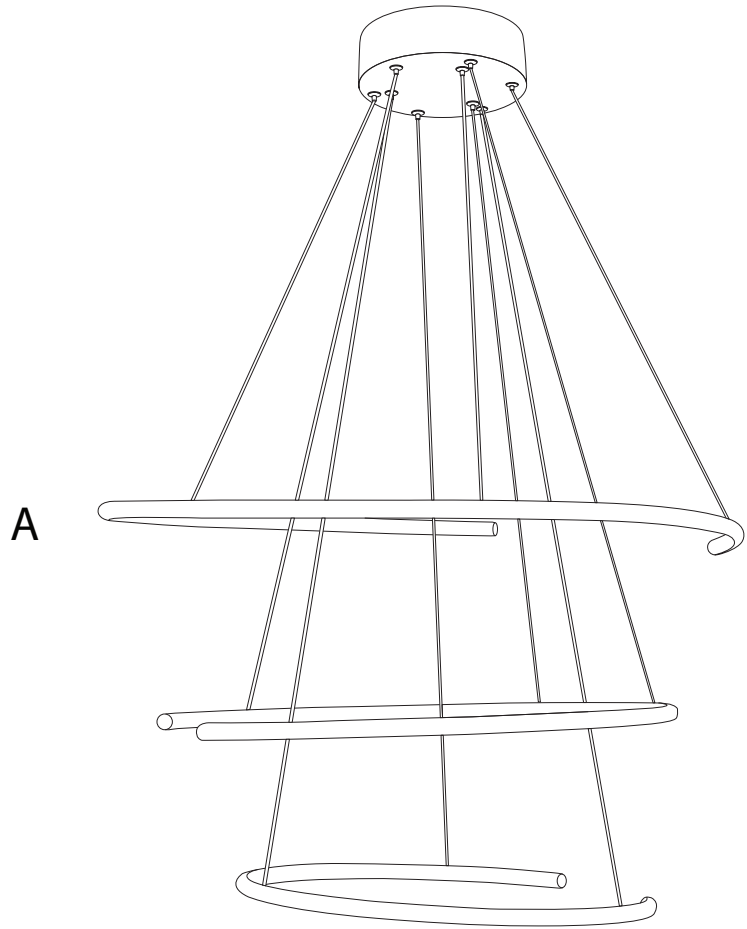
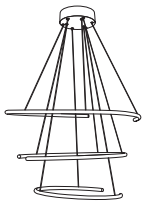

		20'
		
		1

1/4

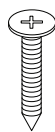


A



x 1

B



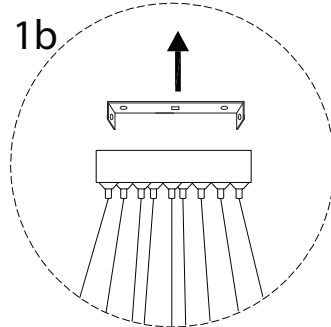
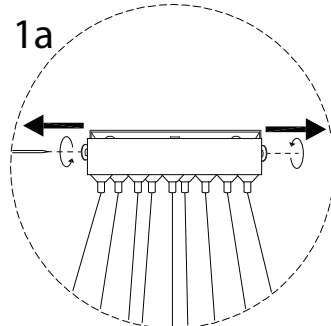
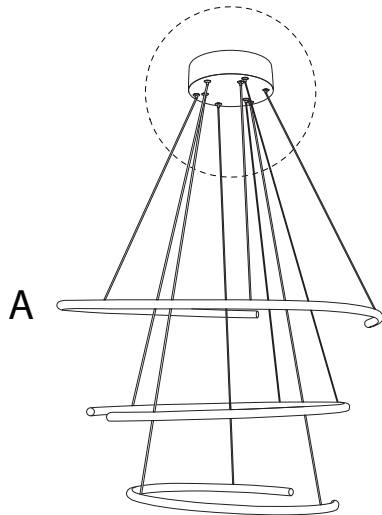
x 2

C



x 2

1



2

B

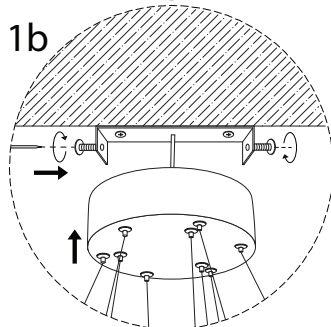
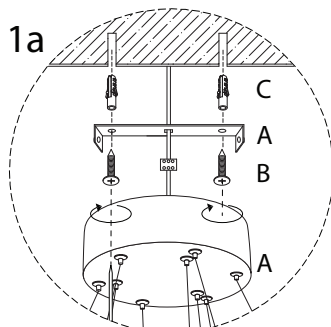
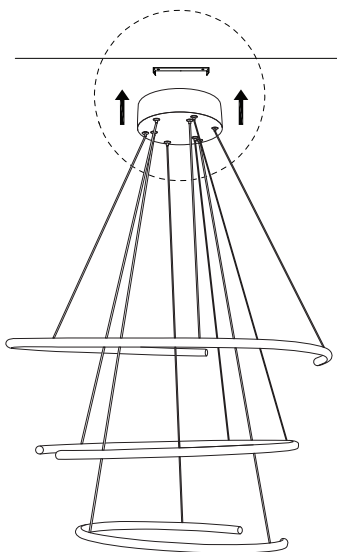


x 2

C



x 2



!

