

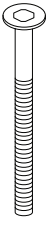
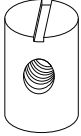
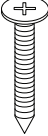

Assembly instructions for the bed frame, including tool requirements, time, and personnel.

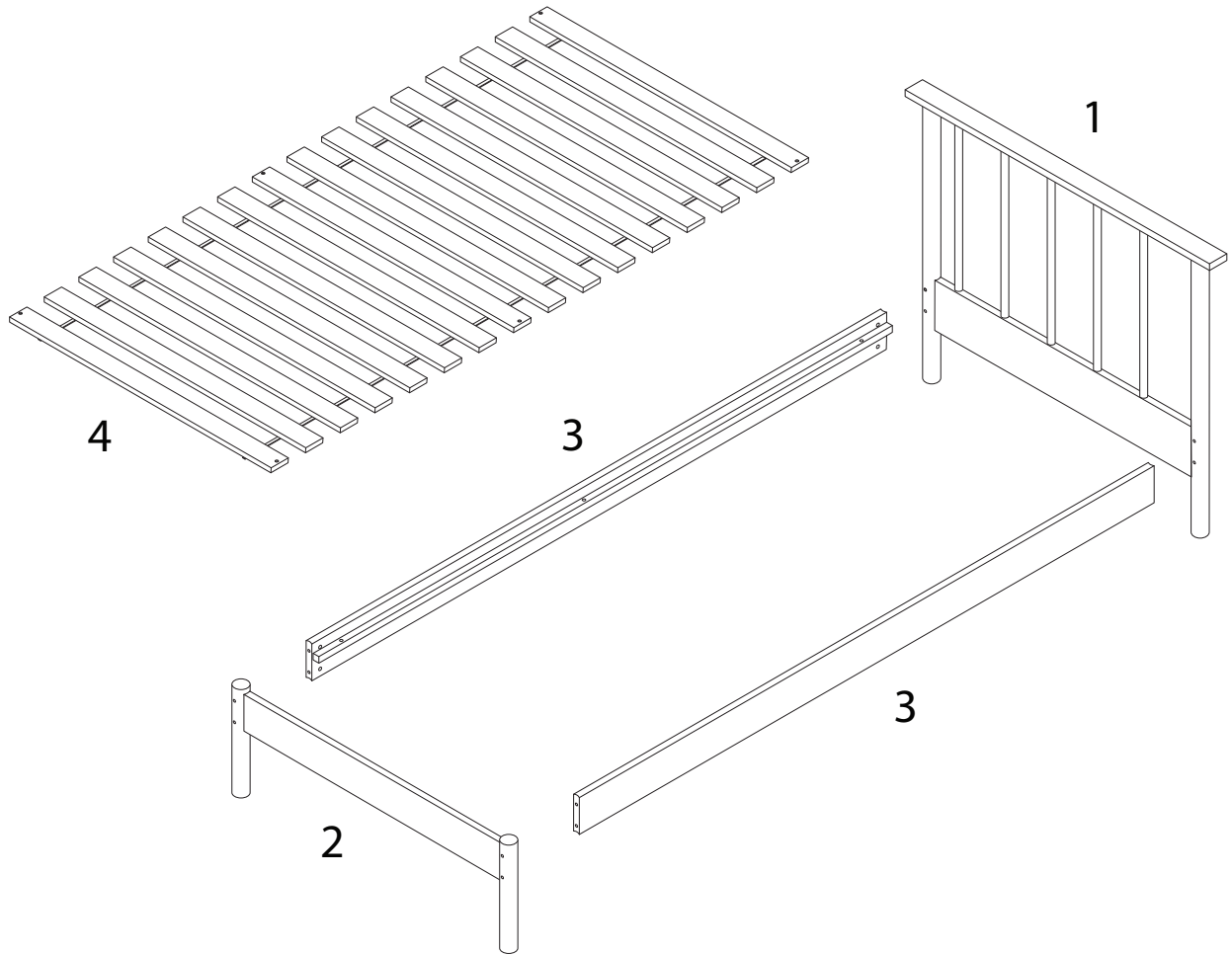
Tools: A circle containing a screwdriver and an Allen key, with a crossed-out power drill icon next to it. A warning triangle is positioned to the right of this circle.

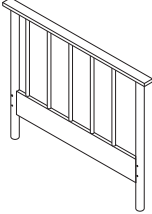
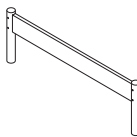
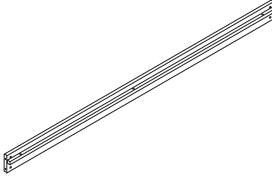
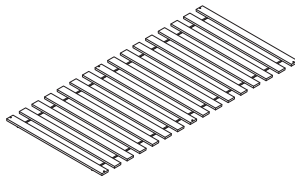
Time: A clock icon with the text "45'" below it, indicating the estimated assembly time.

Personnel: A person icon with the text "2" below it, indicating that two people are required for assembly.

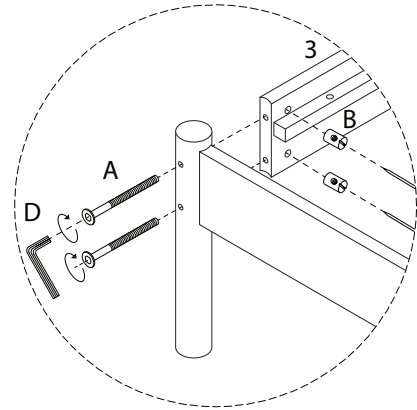
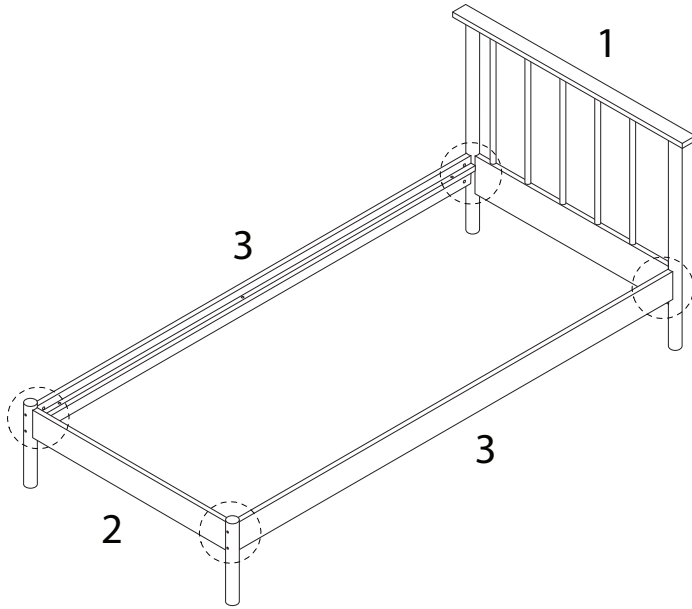
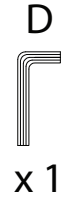
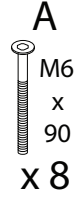
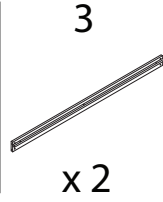
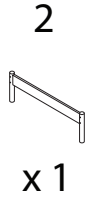
A second warning triangle is located below the first one, pointing to the second instruction box.

<p>A</p>  <p>M6 x 90</p> <p>x 8</p>	<p>B</p>  <p>x 8</p>	<p>C</p>  <p>M3.5 x 30</p> <p>x 6</p>	<p>D</p>  <p>x 1</p>
---	--	---	--



<p>1</p>  <p>x 1</p>	<p>2</p>  <p>x 1</p>	<p>3</p>  <p>x 2</p>	<p>4</p>  <p>x 1</p>
--	--	---	--

1



2

