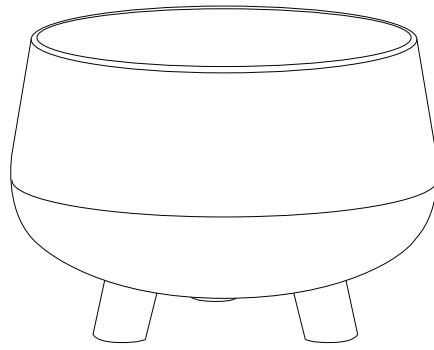


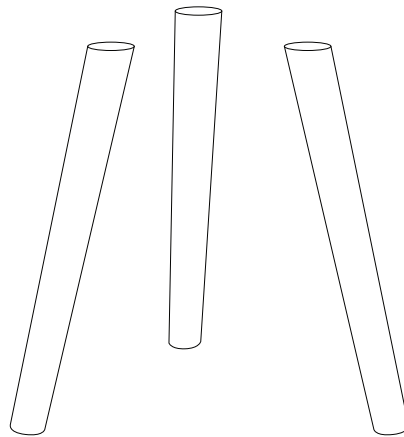
Diagram illustrating assembly steps and safety warnings:

- Step 1:** Shows a screwdriver and a power drill with a slash through it, indicating that a power drill should not be used. A warning triangle with an exclamation mark is shown to the right.
- Step 2:** Shows a rectangular block being placed on a textured surface and another block being attached to it. A warning triangle with an exclamation mark is shown to the right.
- Time:** A clock icon is shown with the text "10'" below it, indicating a 10-minute assembly time.
- Person:** A person icon is shown with the text "1" below it, indicating that one person is required for assembly.

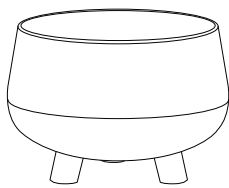
A



B x 3



A



x 1

B



x 3

1

