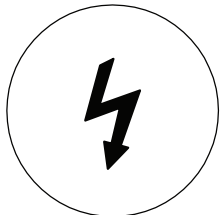

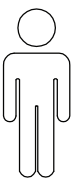
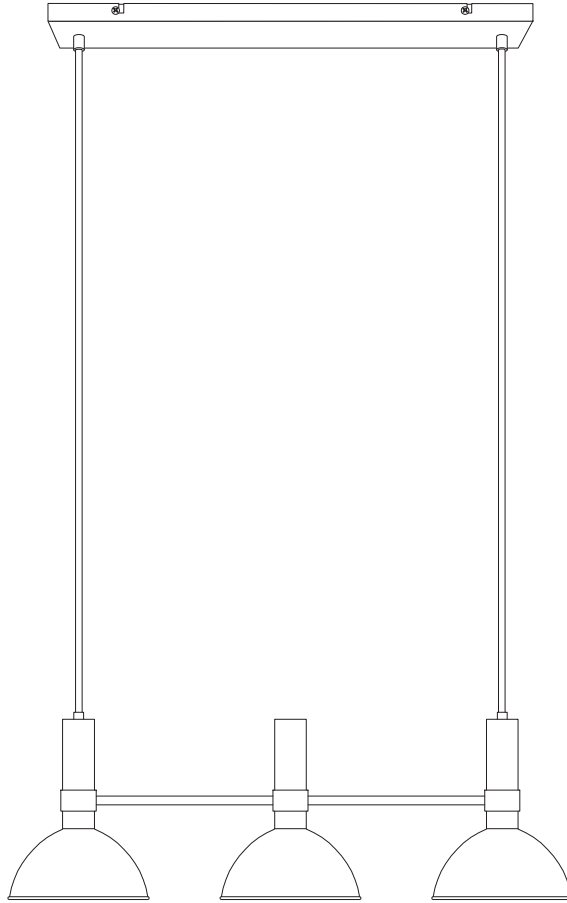
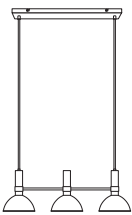

		15'
		
		1

1/4

A

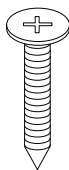


A



x 1

B



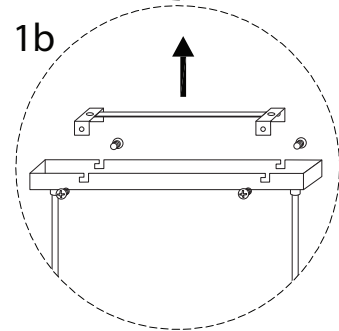
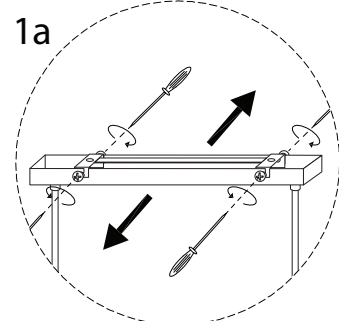
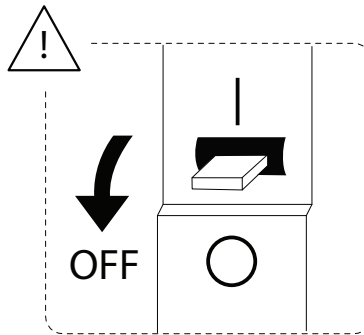
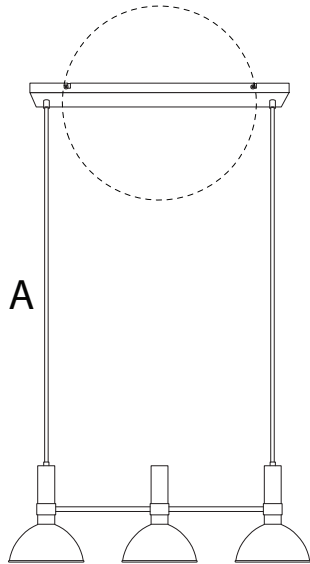
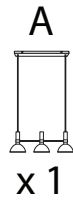
x 2

C

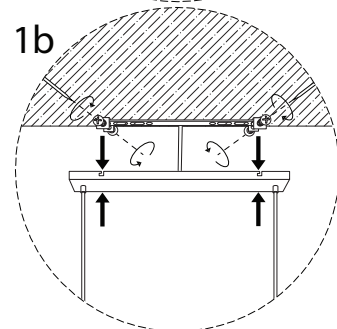
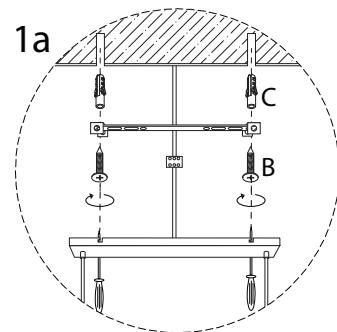
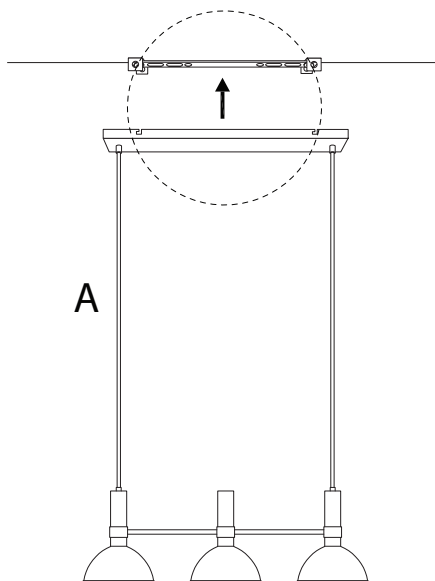
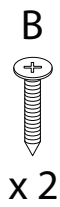


x 2

1



2



3

