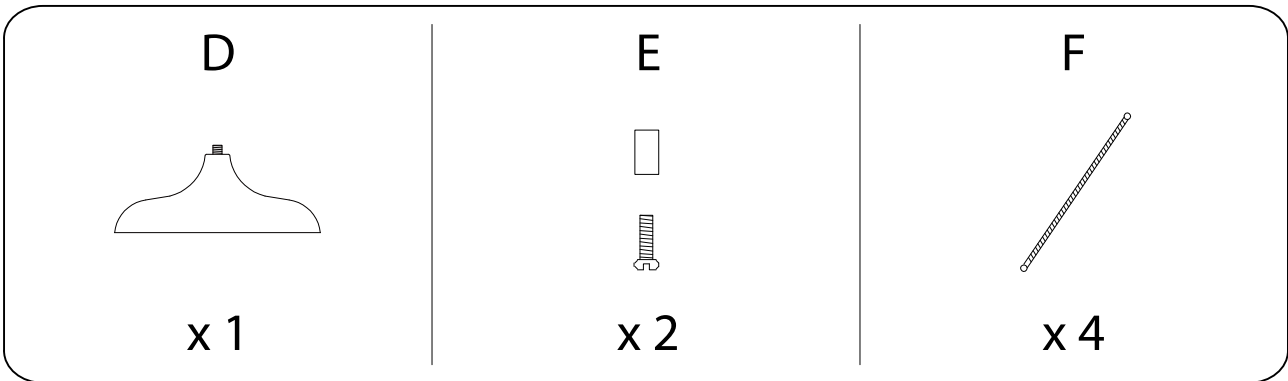
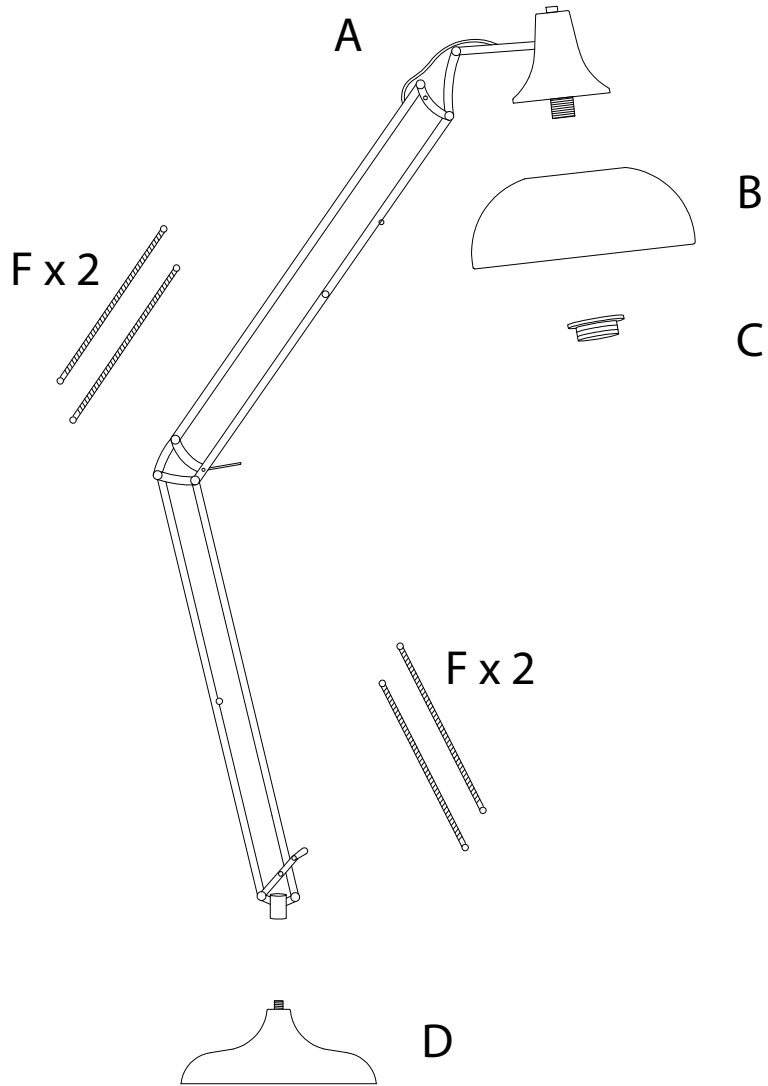
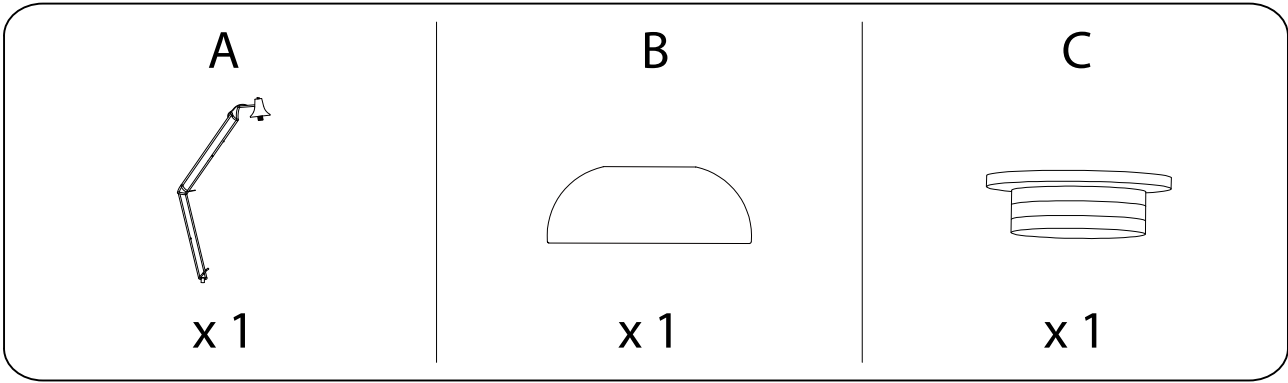
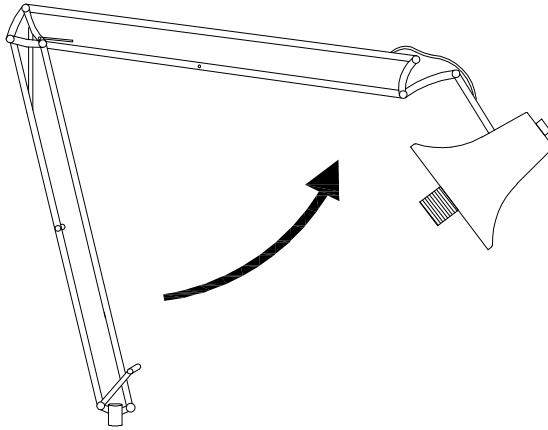
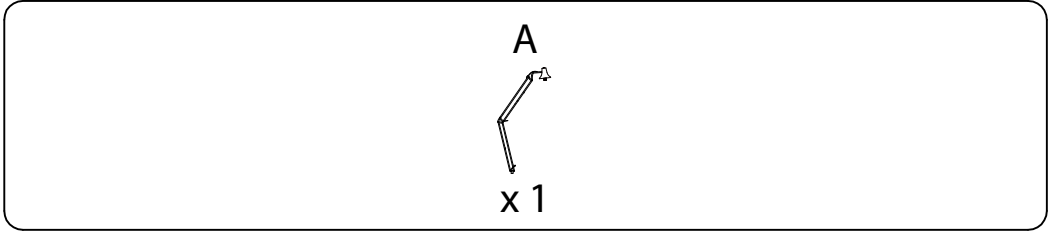


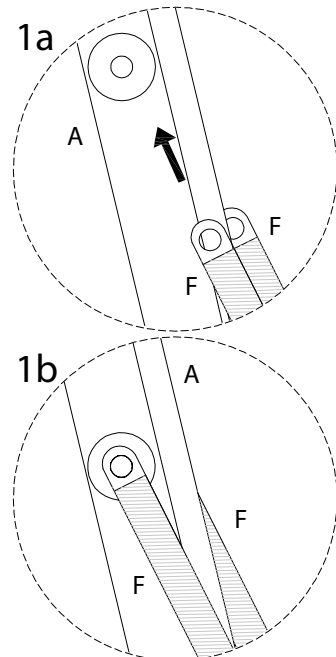
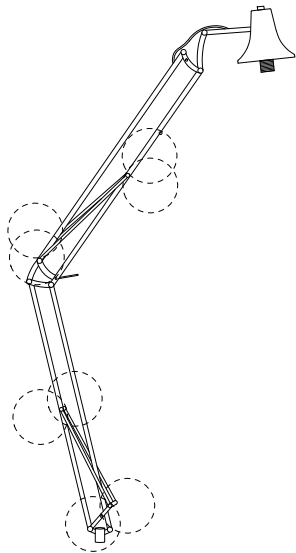
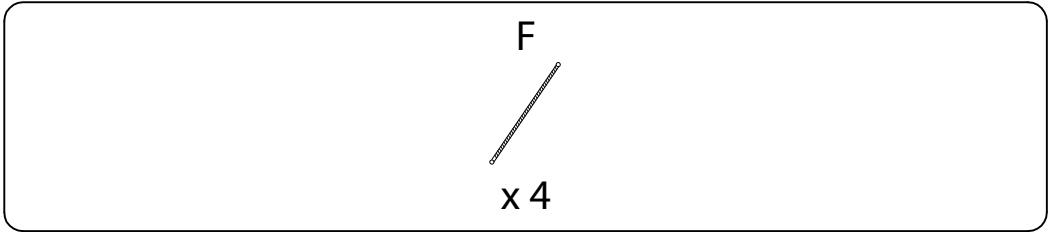
1/5



1

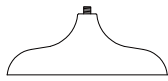


2



3

D

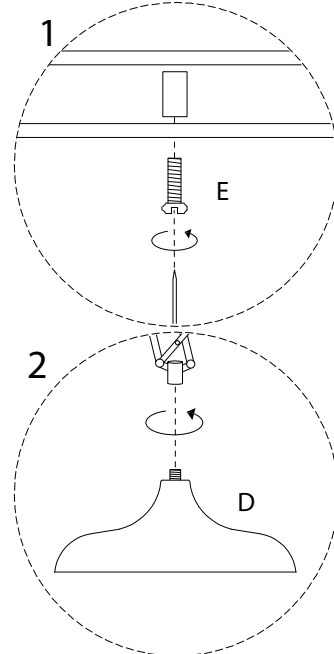
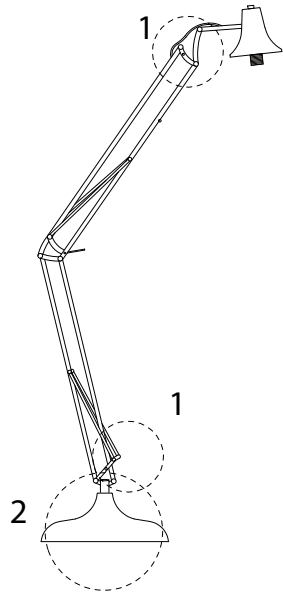


x 1

E



x 2



4

B

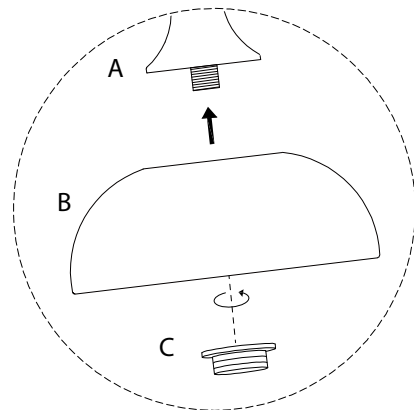
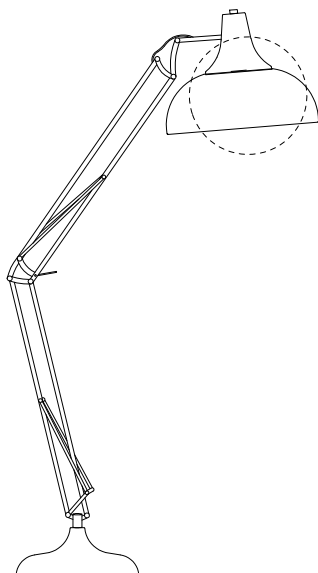


x 1

C



x 1



5

