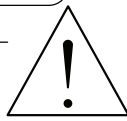
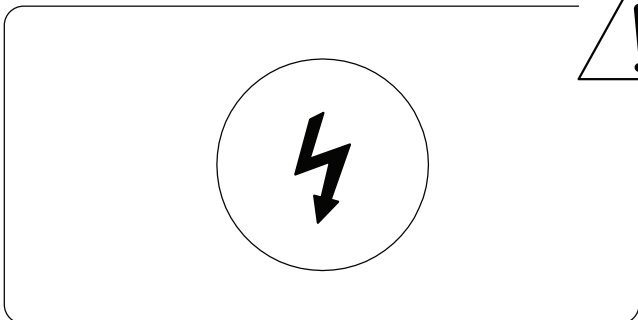
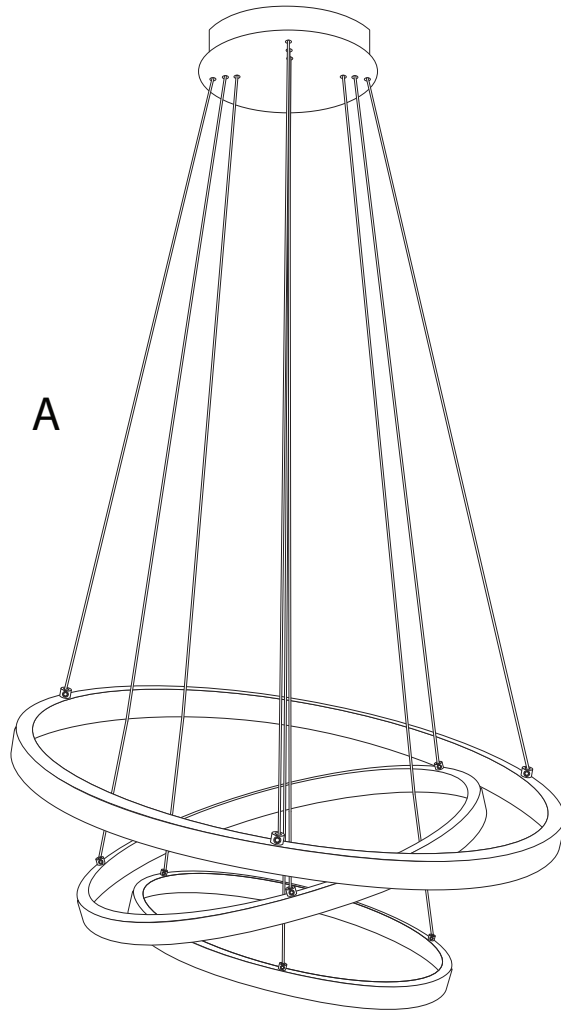


20'

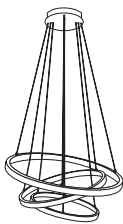


1

1/5

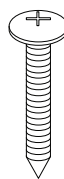


A



x 1

B

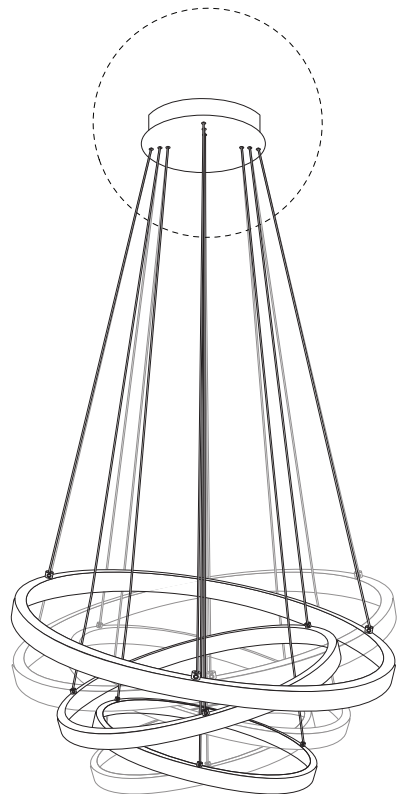
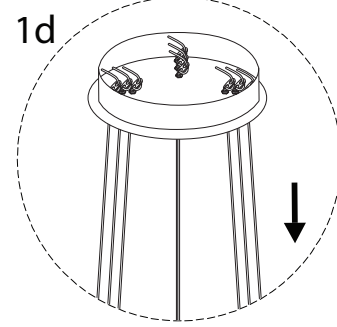
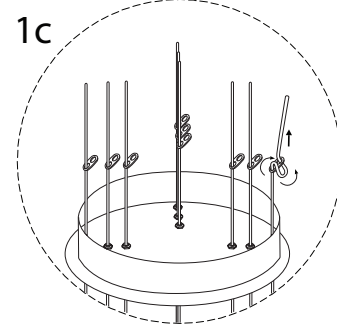
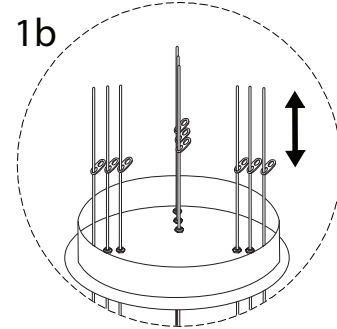
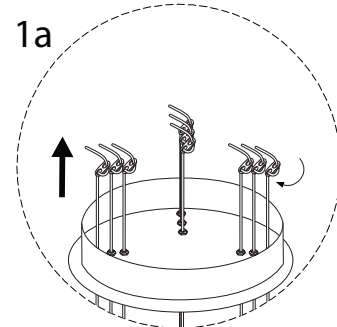
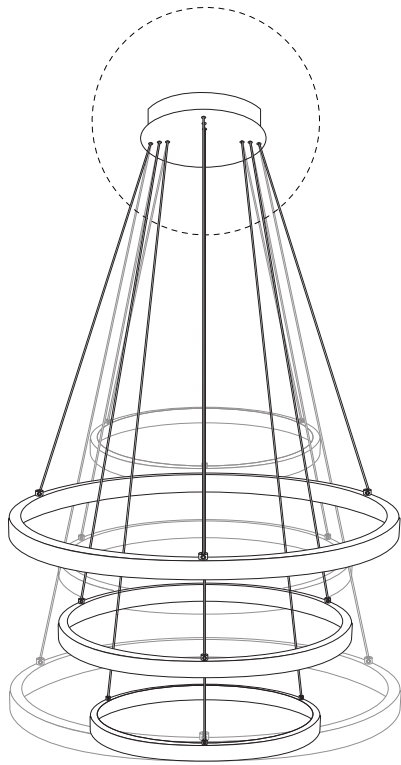


x 2

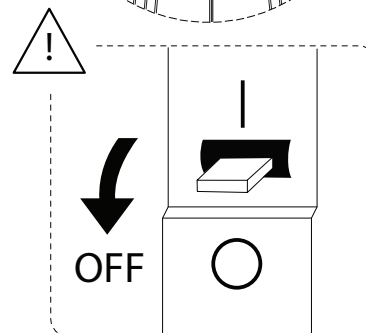
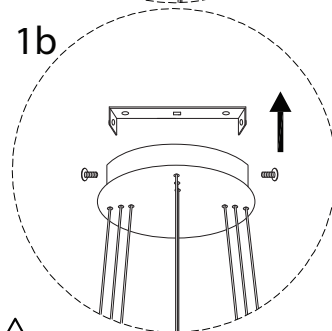
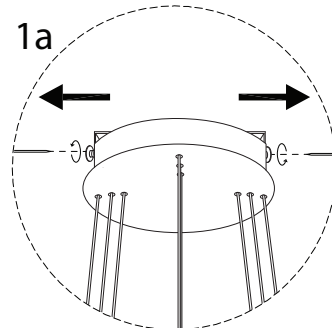
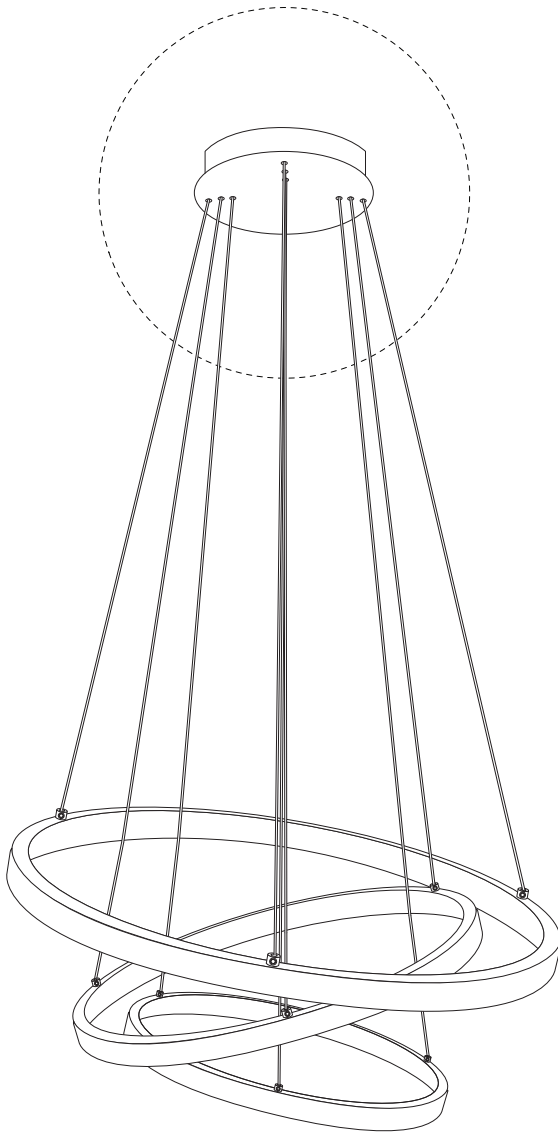
C



x 2



1



2

