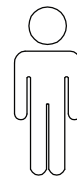
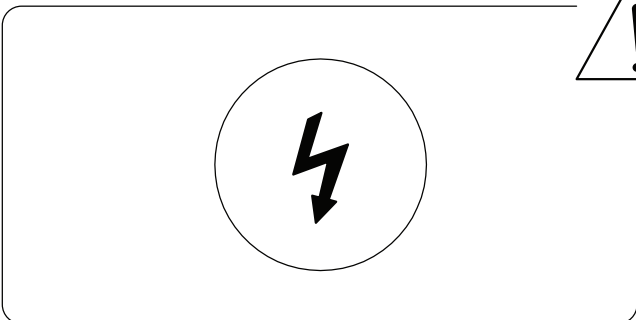
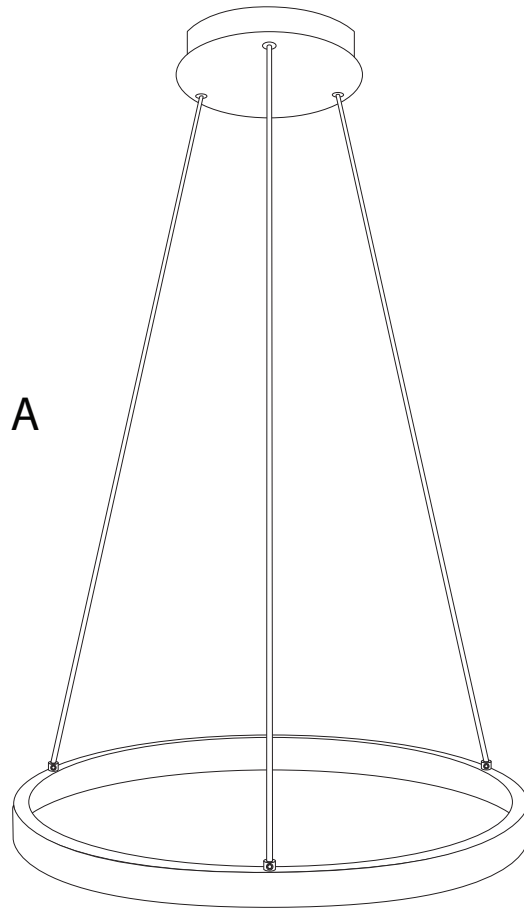


20'



1

1/5

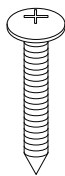


A



x 1

B



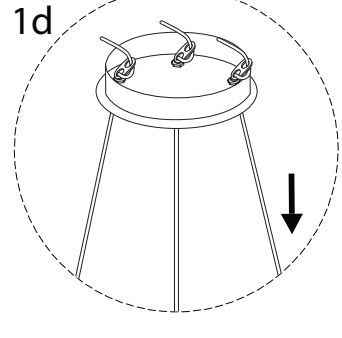
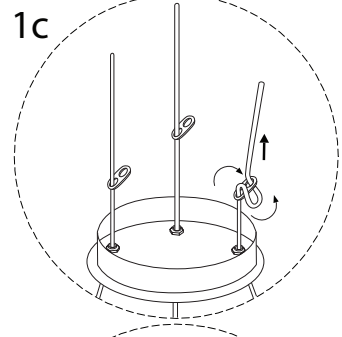
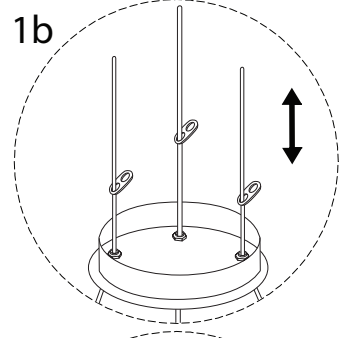
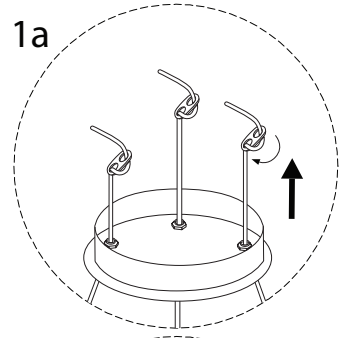
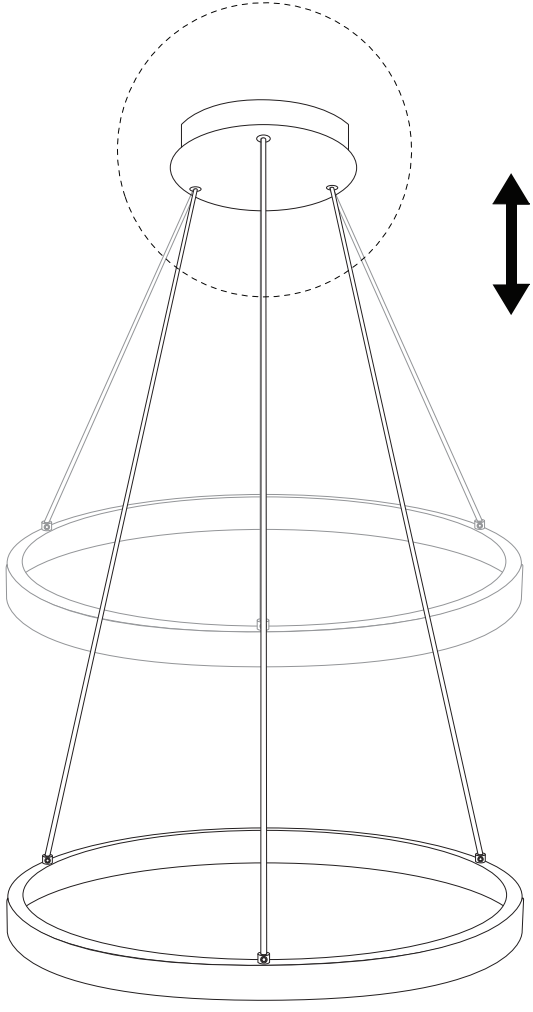
x 2

C

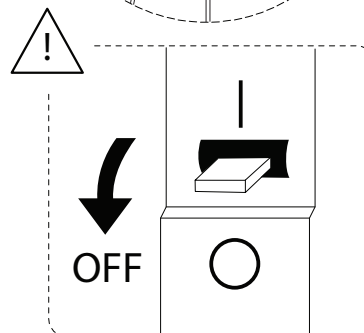
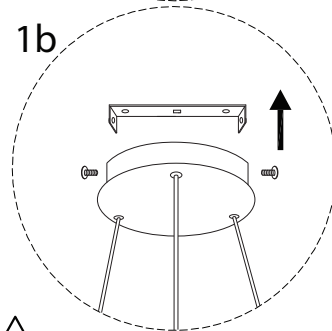
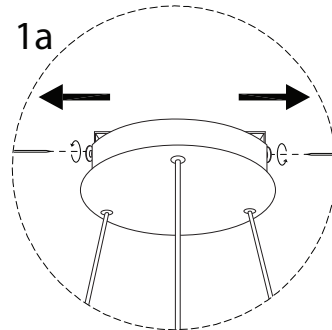
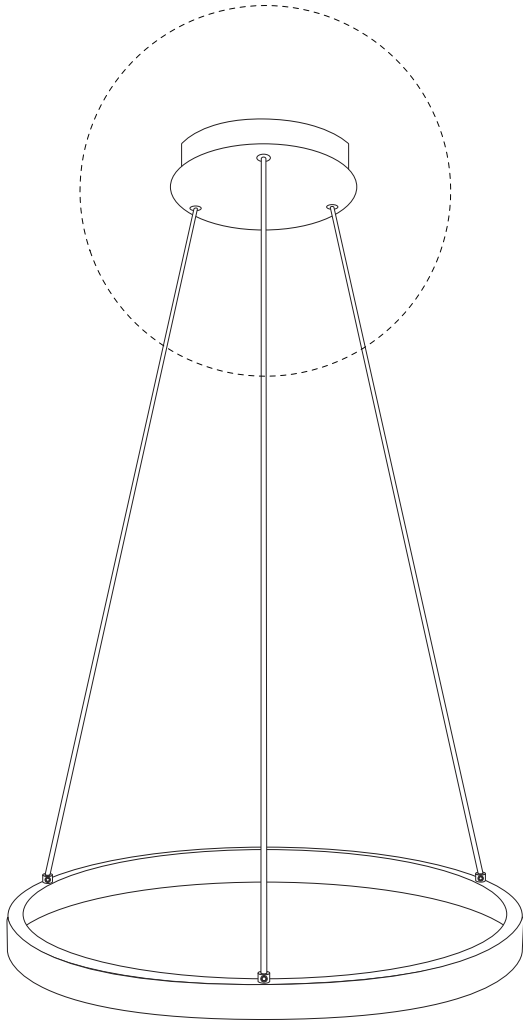


x 2

!



1



2

