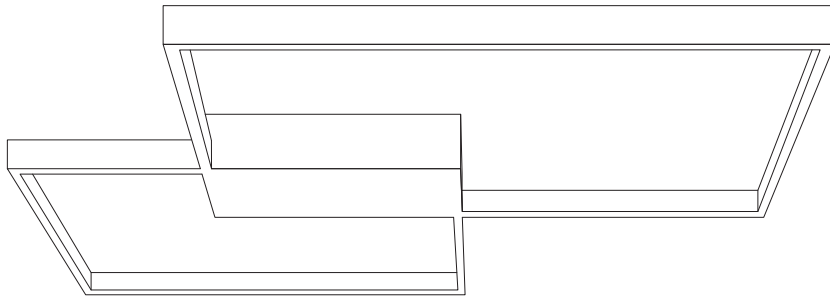
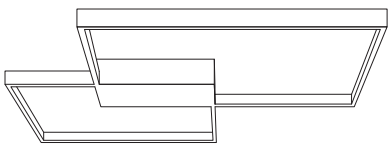


1/3

A

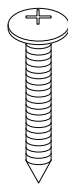


A



x 1

B



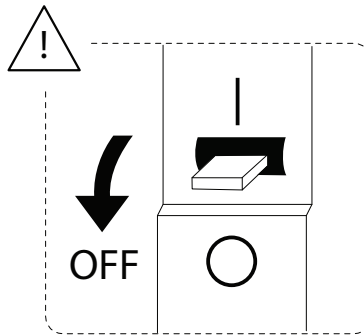
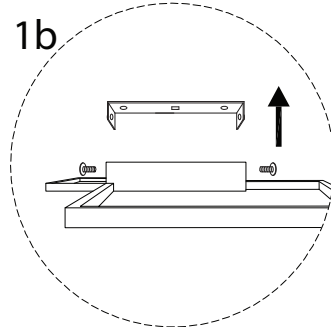
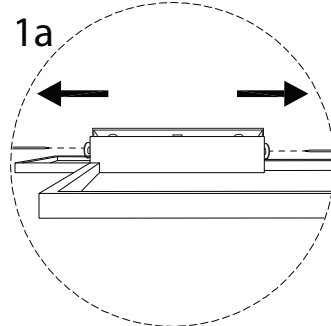
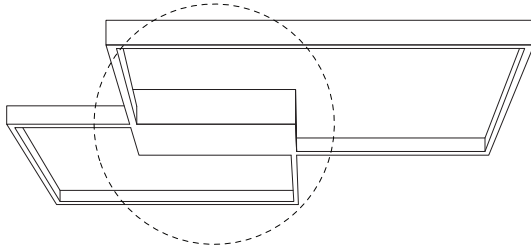
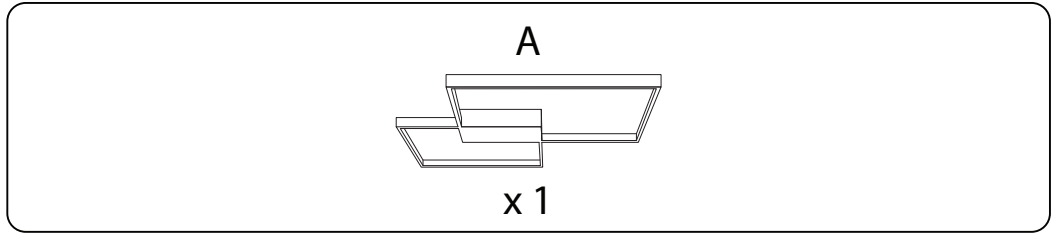
x 2

C



x 2

1



2

