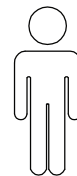
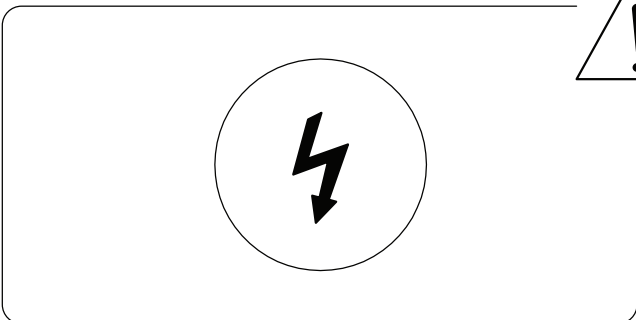
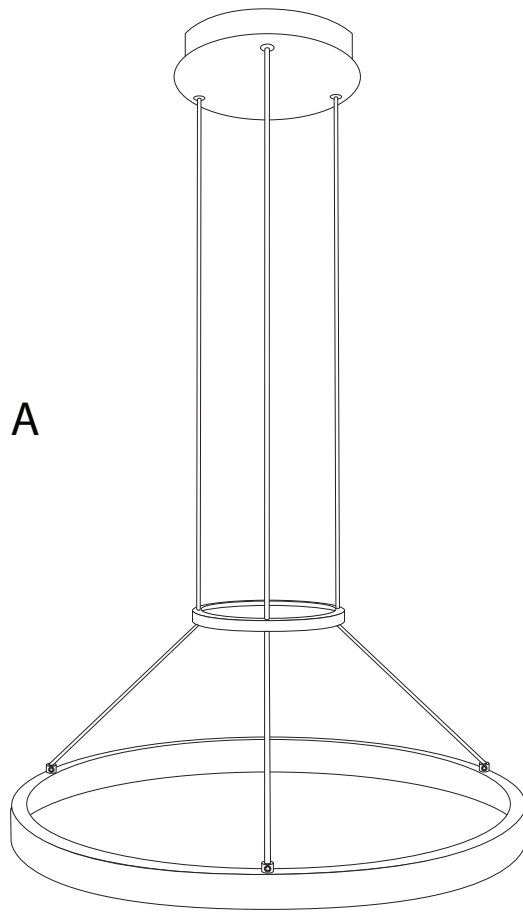


20'

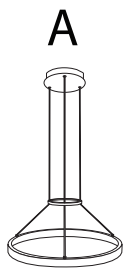


1

1/5

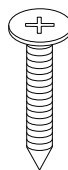


A



x 1

B

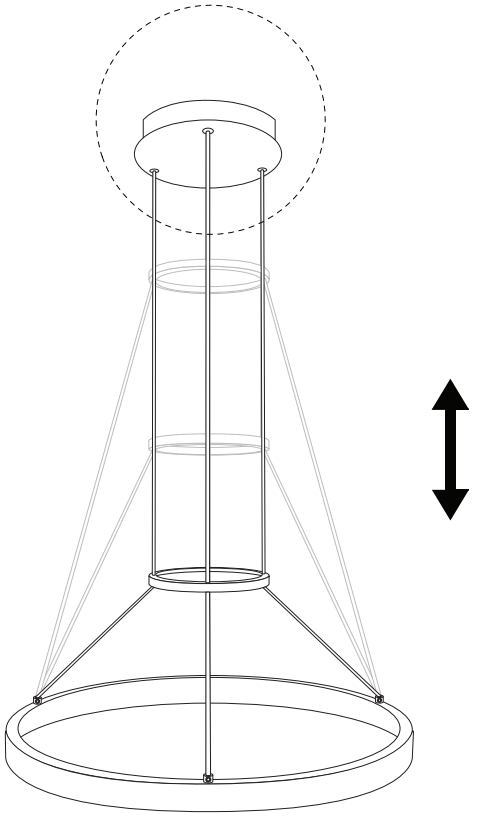
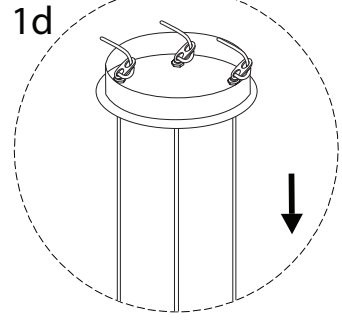
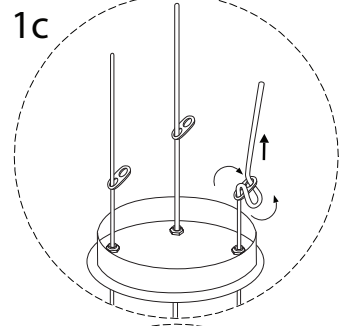
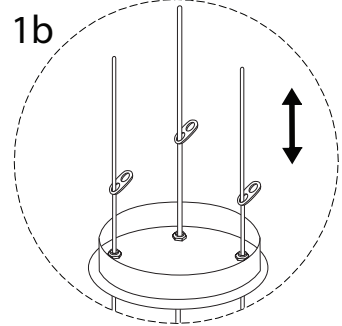
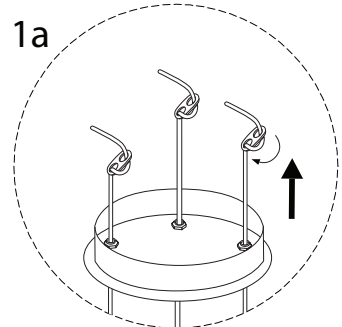
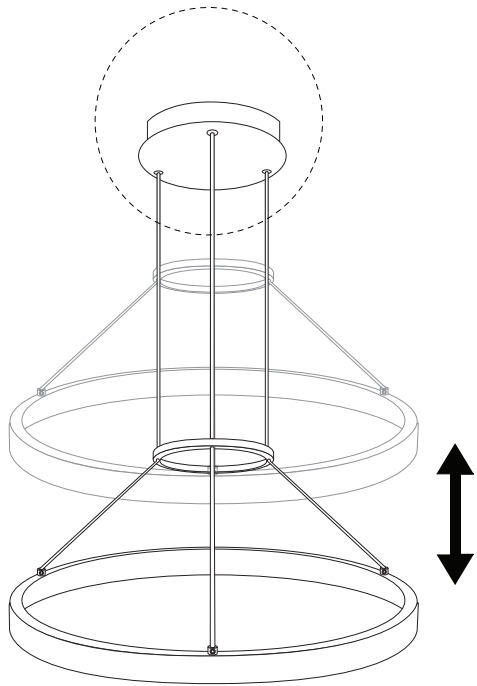


x 2

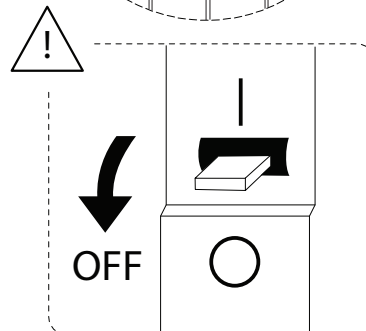
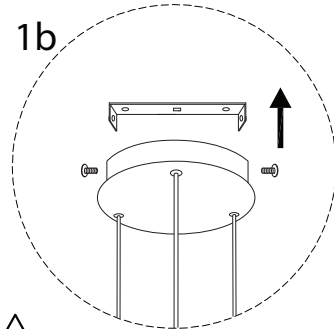
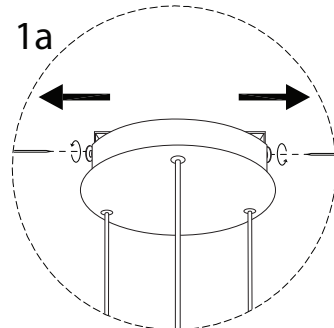
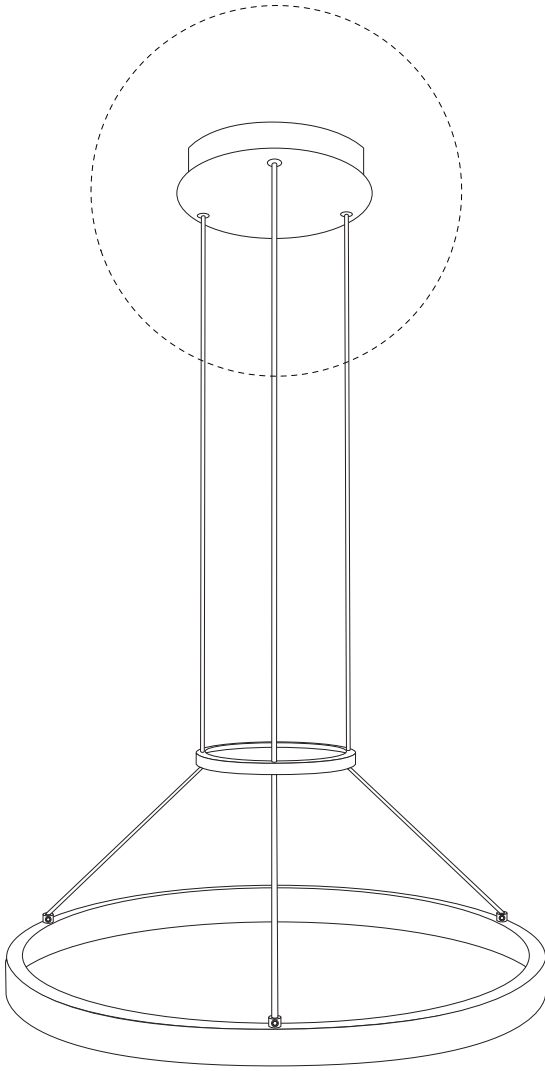
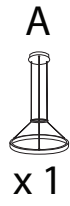
C



x 2

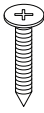


1



2

B

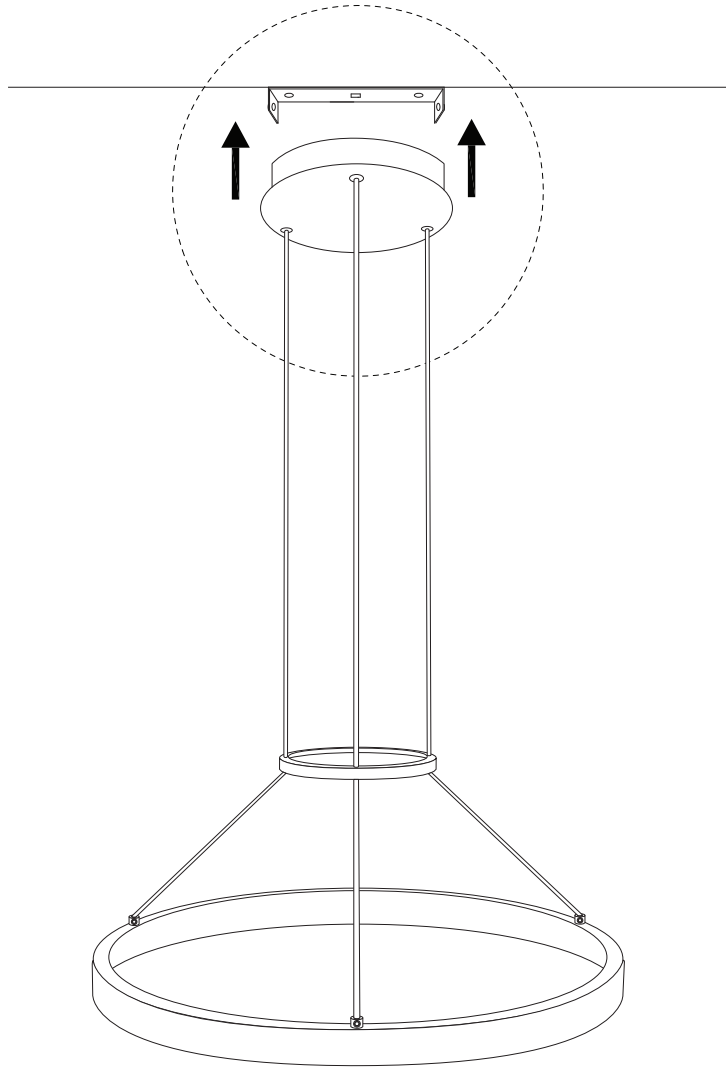


x 2

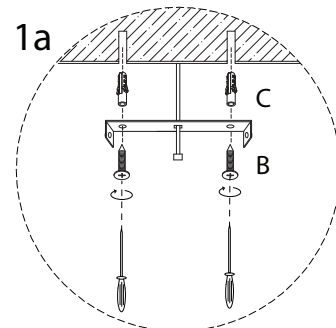
C



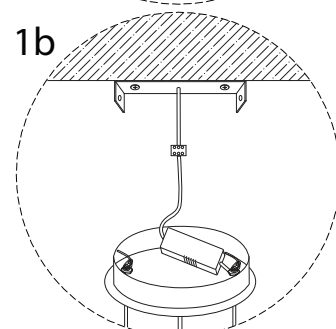
x 2



1a



1b



1c

