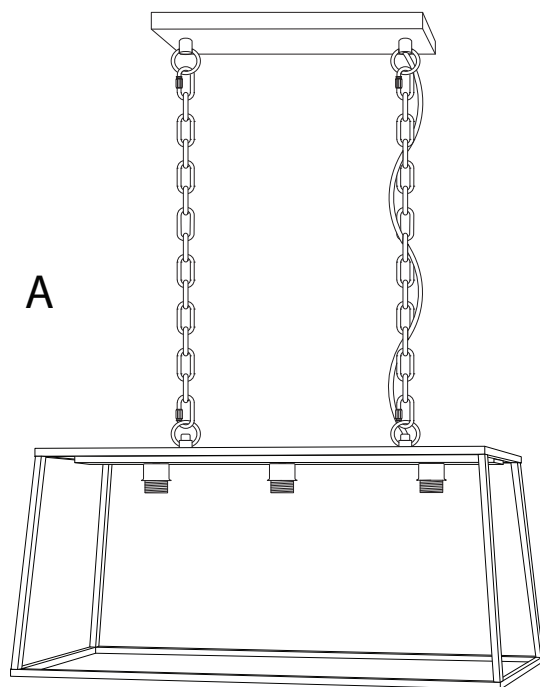
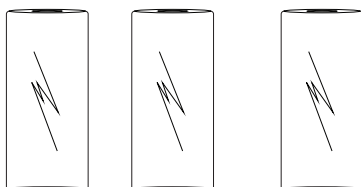


1/5



A

C

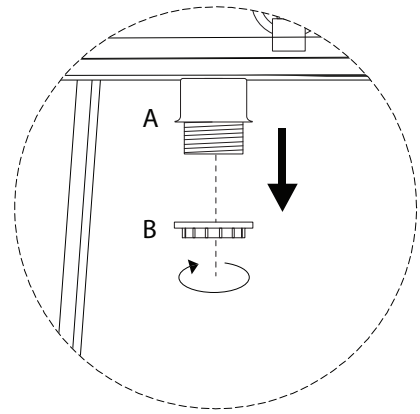
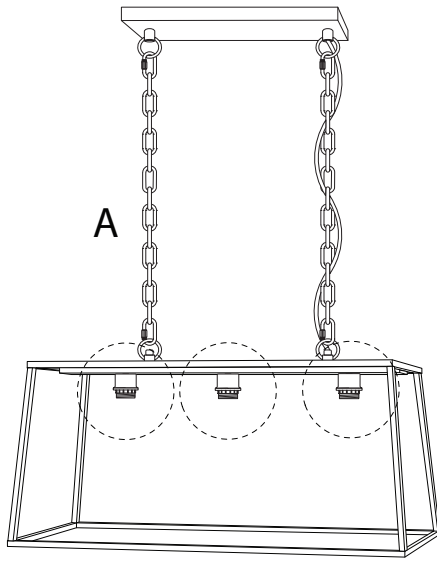


B

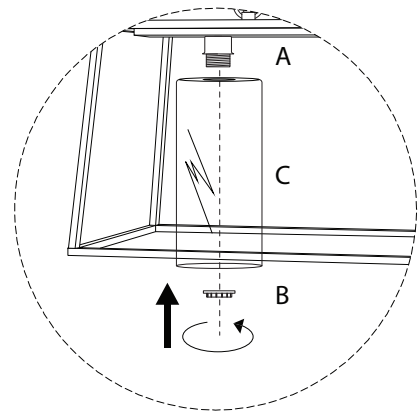
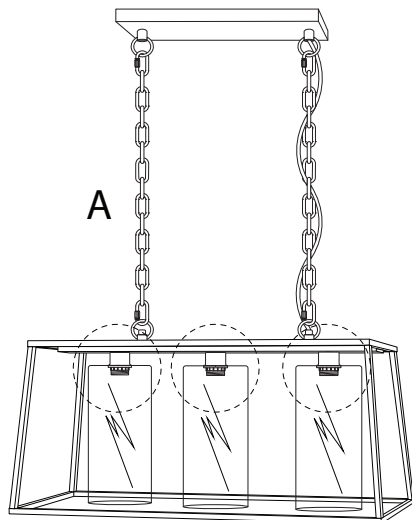
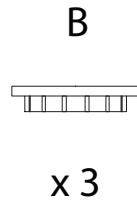


<p>x 1</p>	<p>x 3</p>	<p>x 3</p>	<p>x 2</p>	<p>x 2</p>

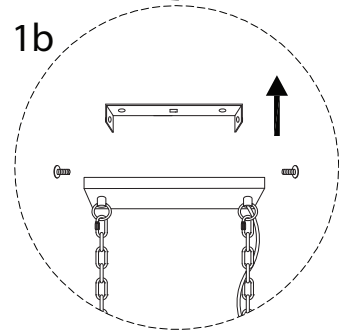
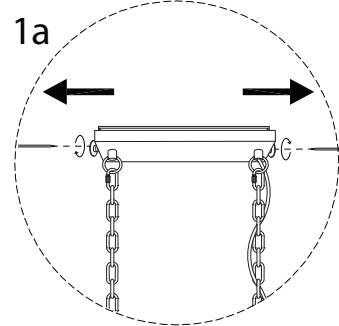
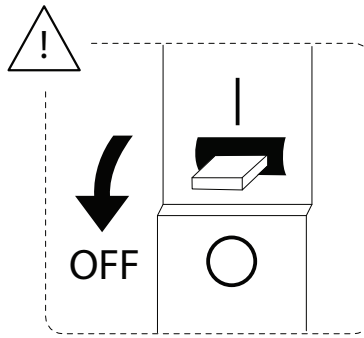
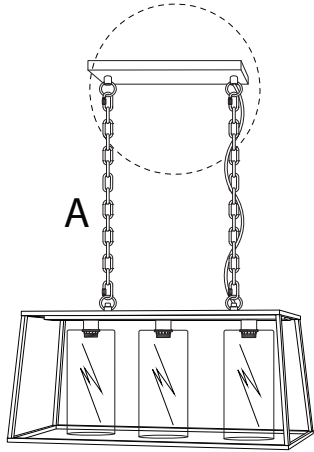
!



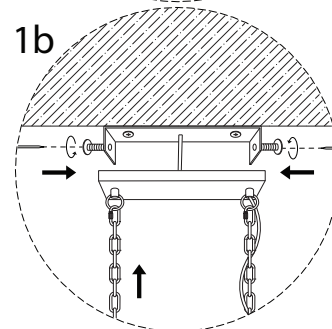
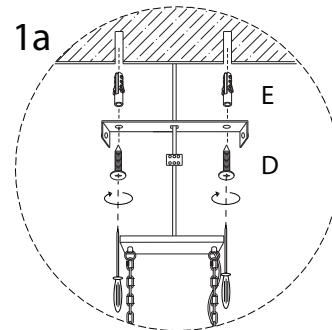
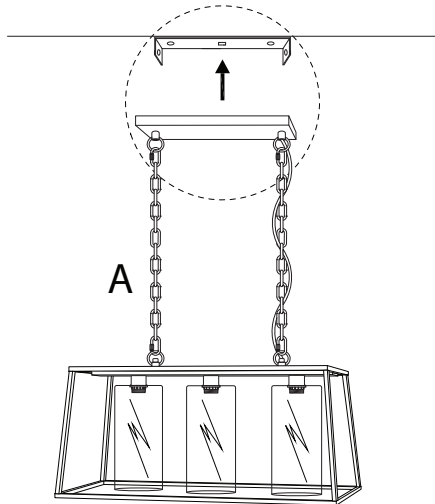
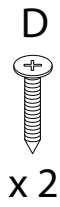
1



2



3



4

