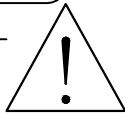
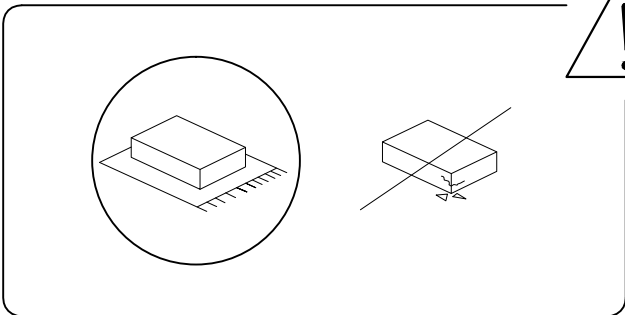
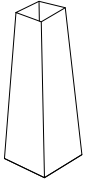
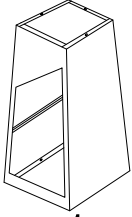
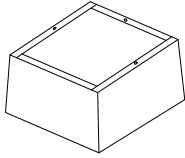
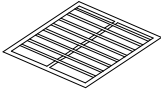
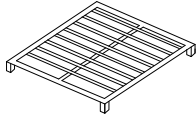


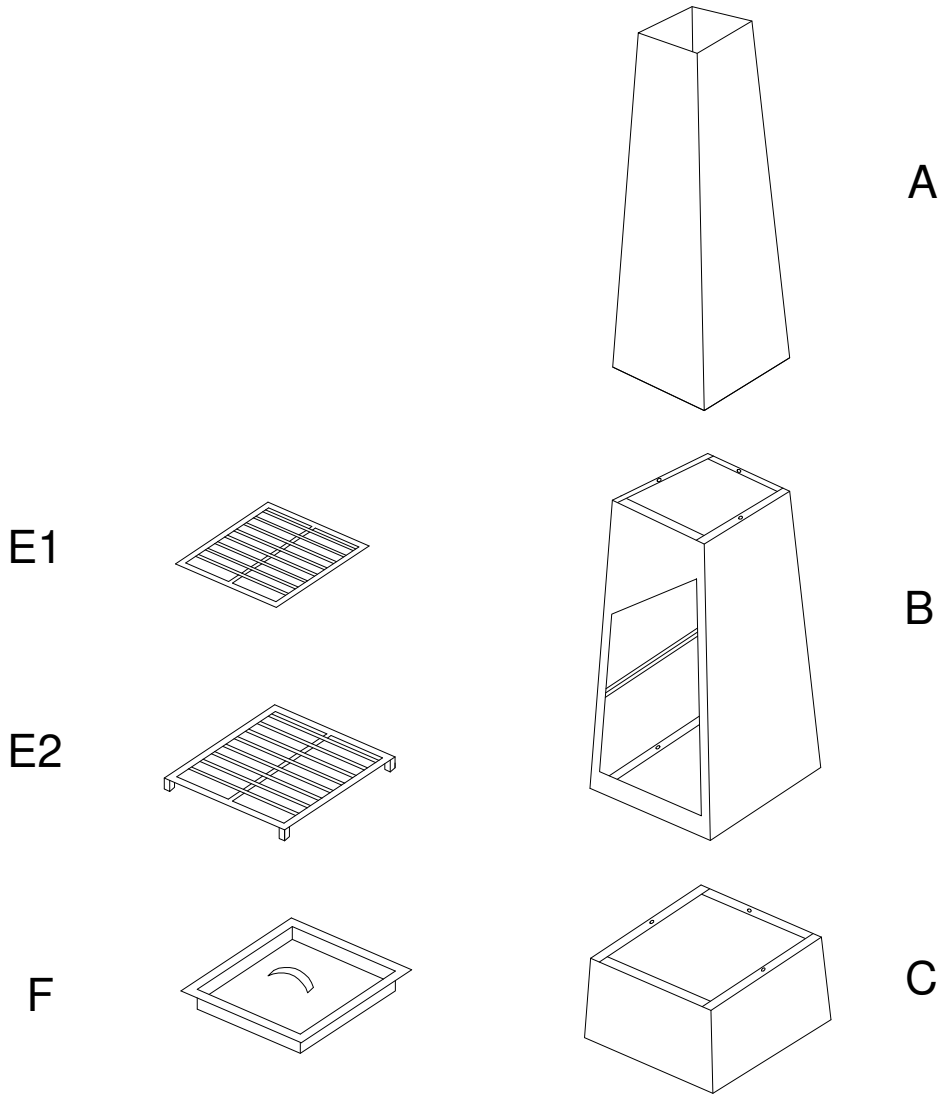
30'

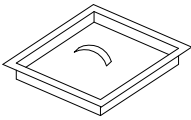
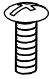

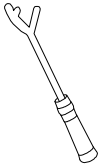


1

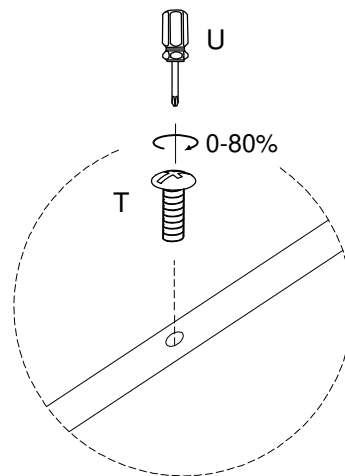
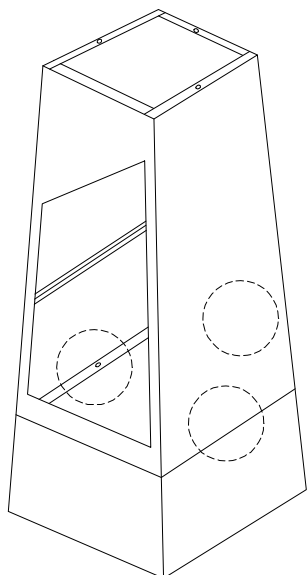
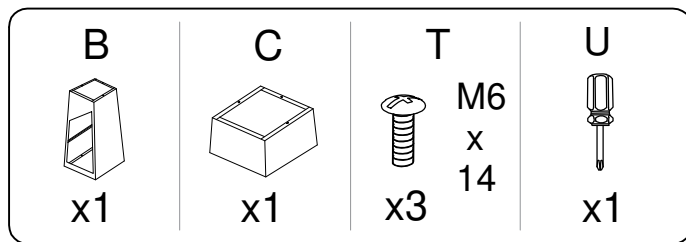
1/5

| | | | | |
|---|---|---|--|---|
| A | B | C | E1 | E2 |
|  |  |  |  |  |
| x1 | x1 | x1 | x1 | x1 |

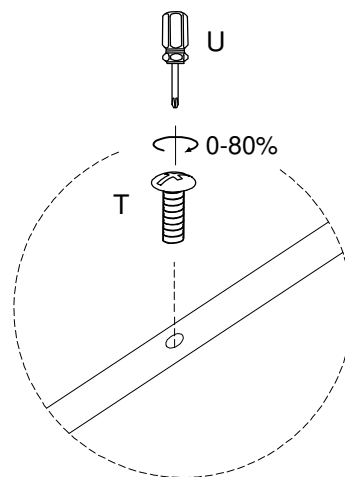
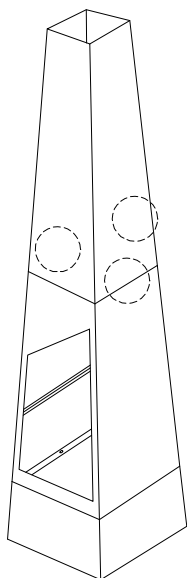
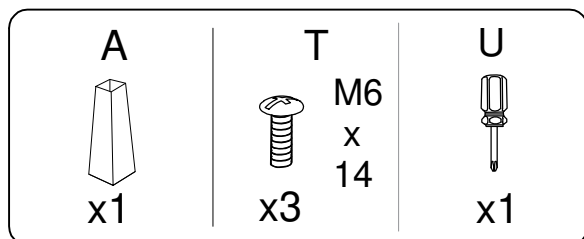


| | | | |
|---|---|---|---|
| F | T | U | V |
|  |  M6 x 14 |  |  |
| x1 | x6 | x1 | x1 |

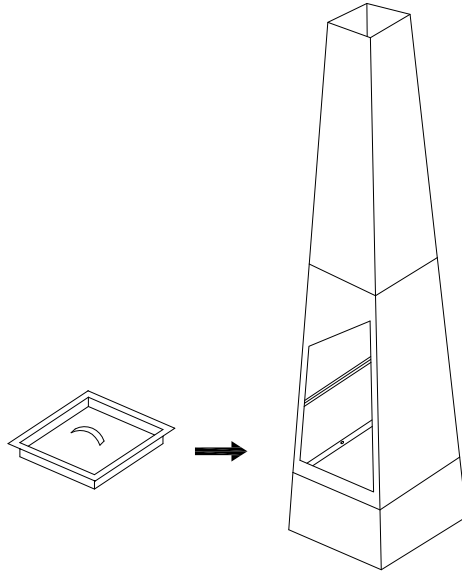
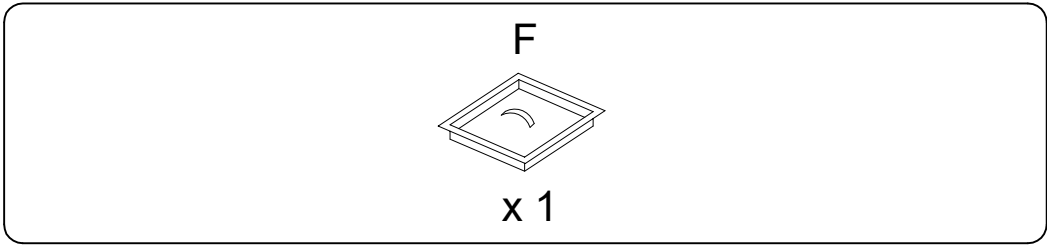
1



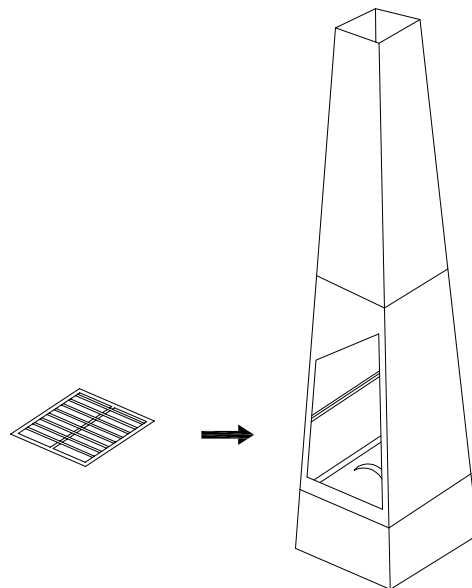
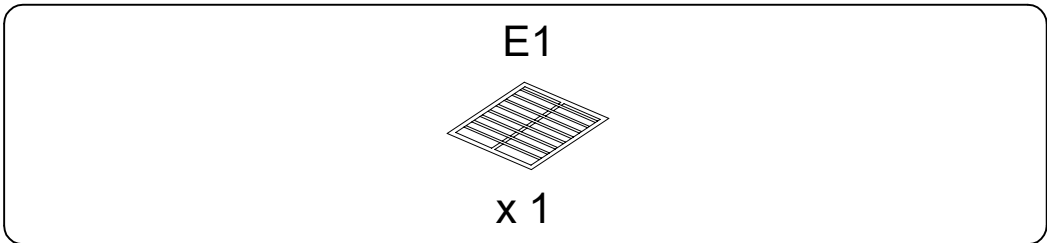
2



3

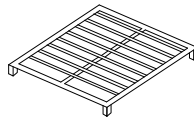


4

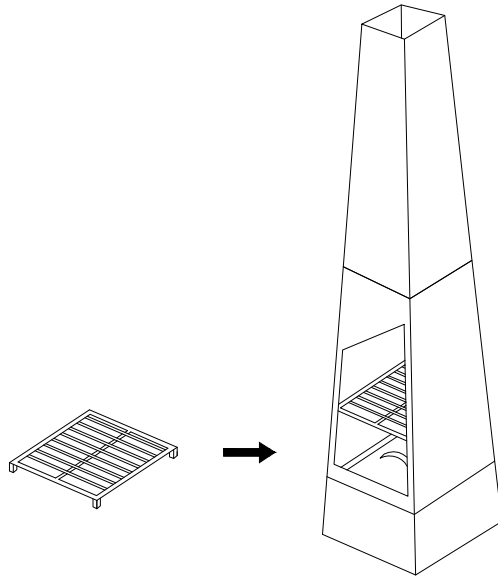


5

E2



x1



!

