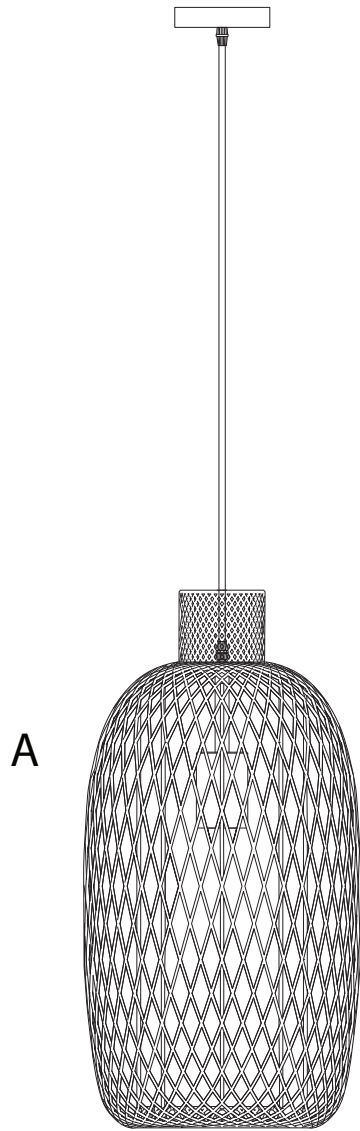


1/4

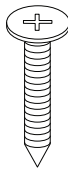


A



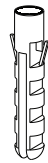
x 1

B



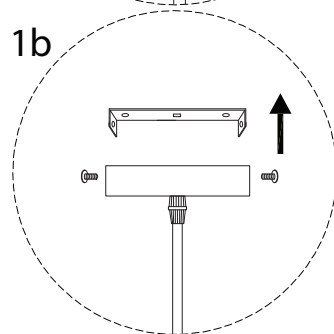
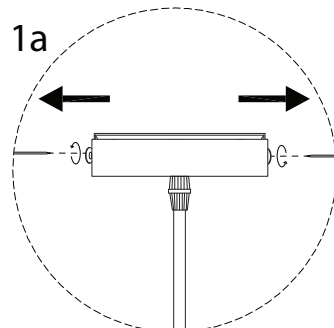
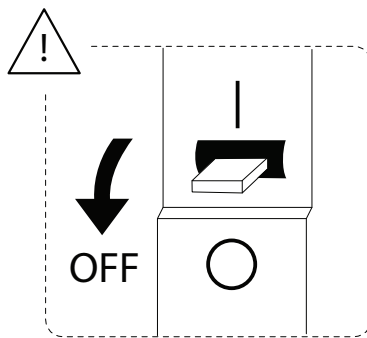
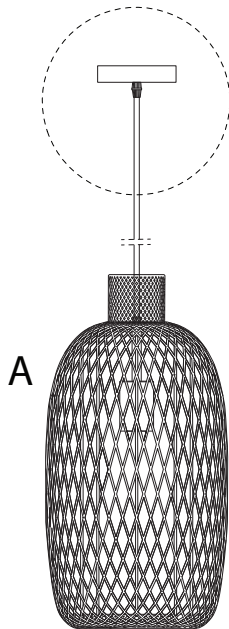
x 2

C

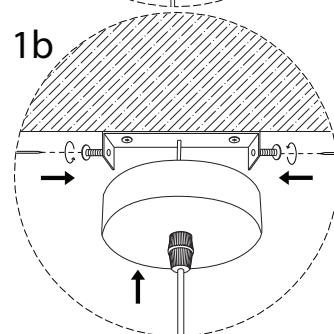
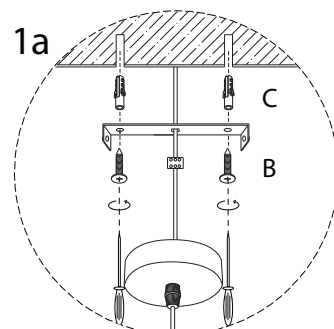
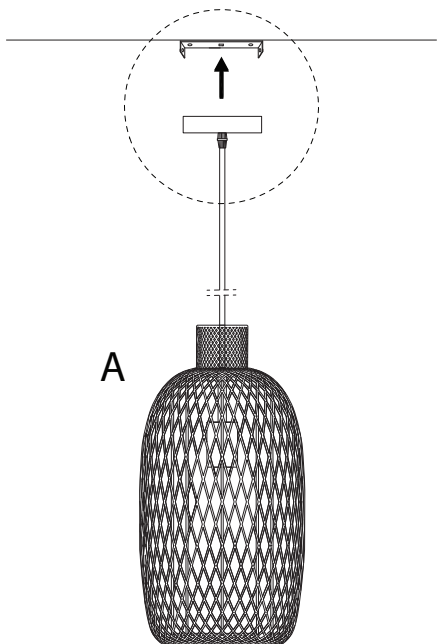
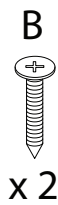


x 2

1



2



3

