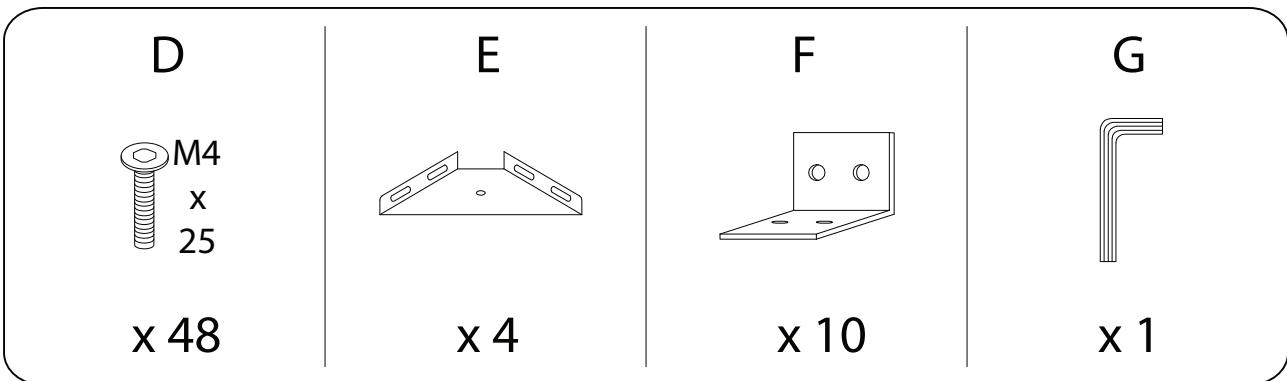
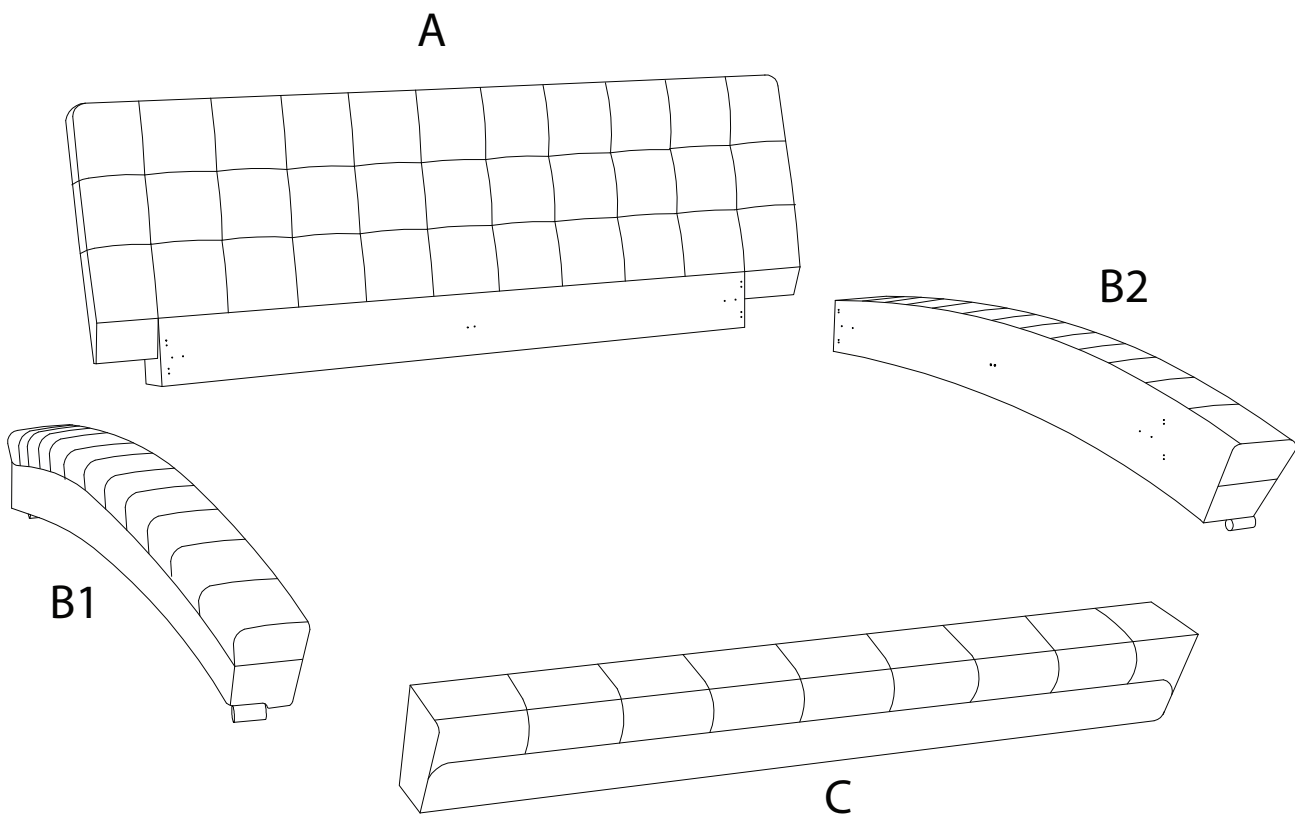
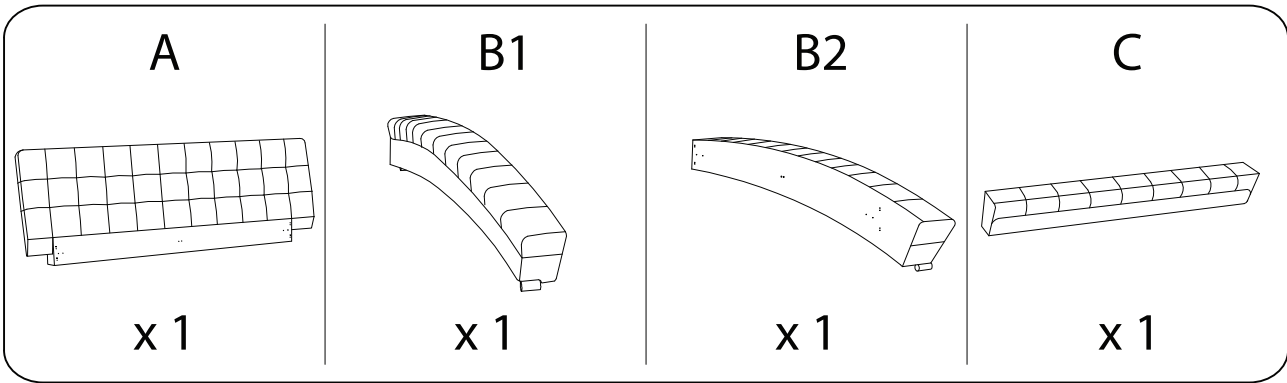


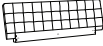




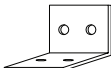

| | | |
|--|--|---|
| An L-shaped metal bracket is shown inside a circle. To its right is a power drill with a diagonal line through it, indicating it should not be used. | A warning triangle containing an exclamation mark. | A clock face showing approximately 10:10. |
| A rectangular foam block is shown inside a circle, resting on a textured surface. To its right is a screwdriver with a diagonal line through it, indicating it should not be used. | A warning triangle containing an exclamation mark. | A simple line drawing of a person. |

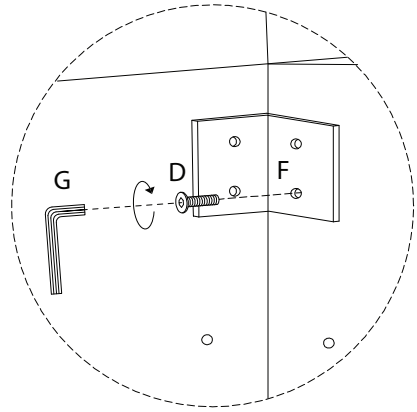
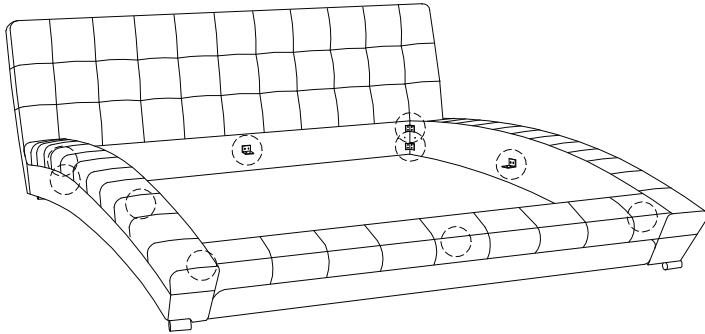
40'

2

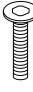
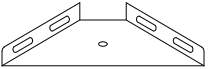



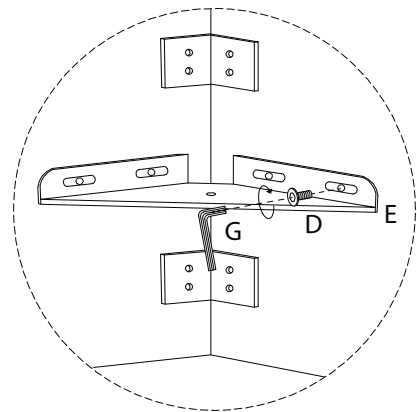
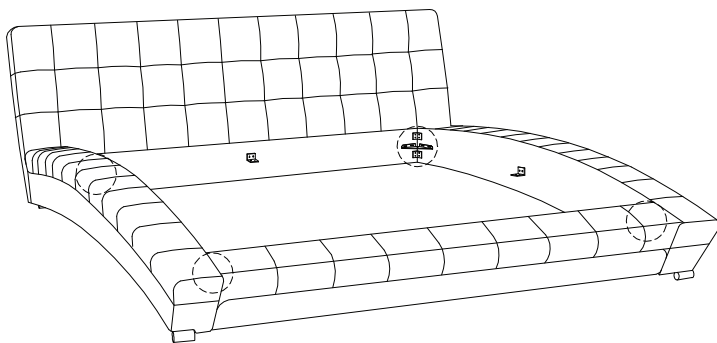
1

| | | | | | | |
|--|---|---|--|---|---|--|
| A  x 1 | B1  x 1 | B2  x 1 | C  x 1 | D  M4 x 25 x 32 | F  x 10 | G  x 1 |
|--|---|---|--|---|---|--|



2

| | | |
|---|---|--|
| D  M4 x 25 x 16 | E  x 4 | G  x 1 |
|---|---|--|



!

