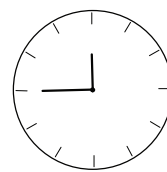
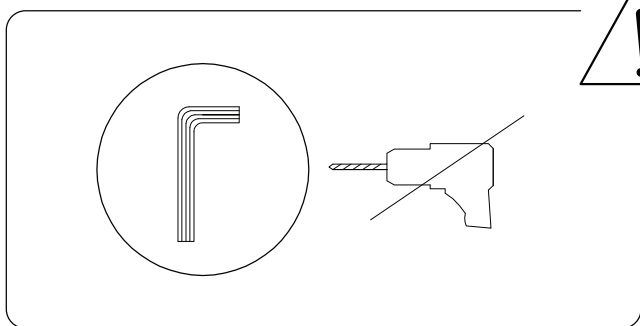
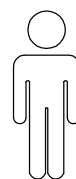
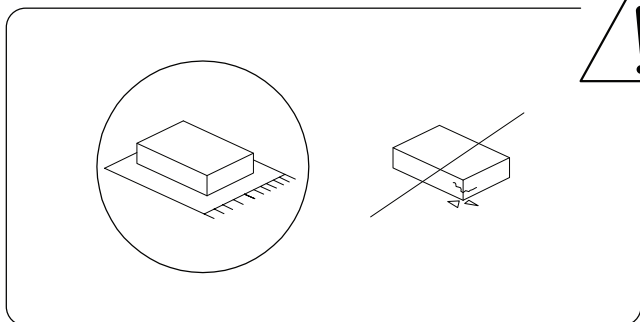


STAVERTON



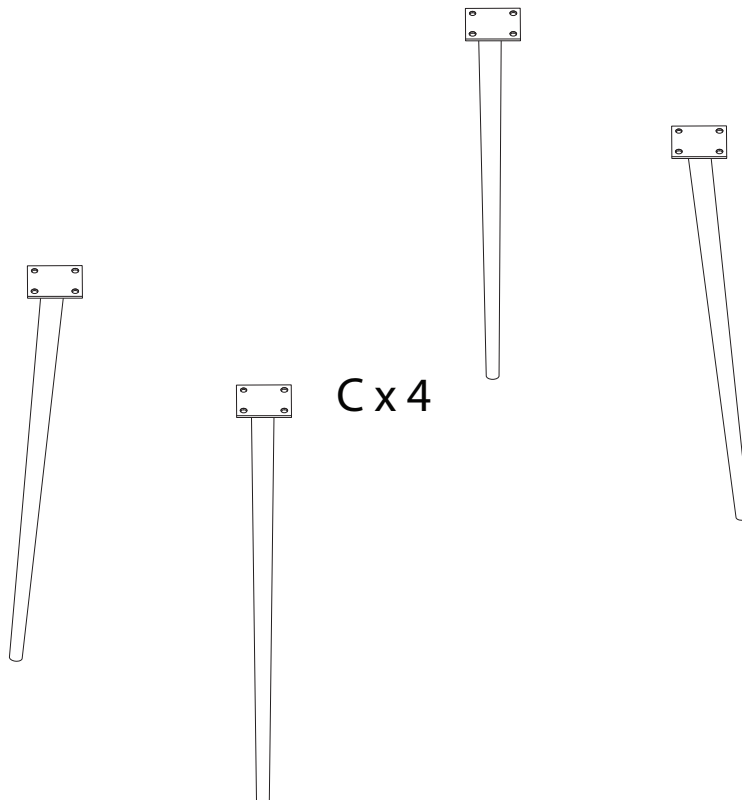
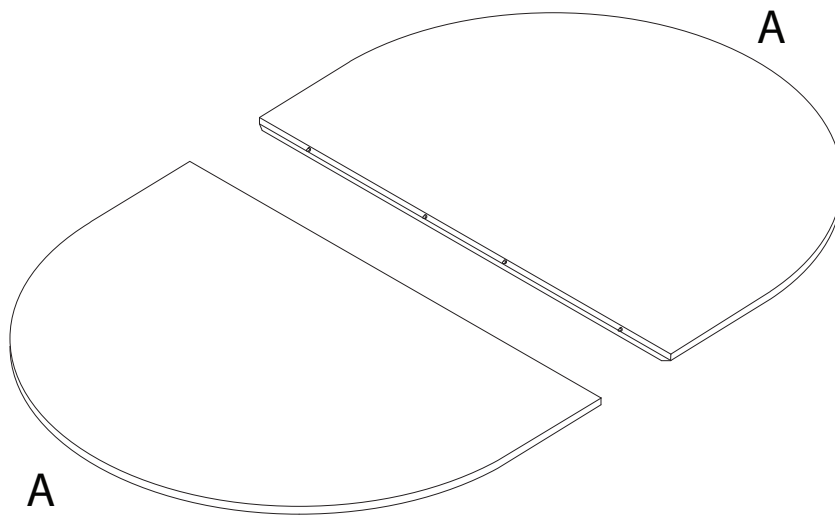
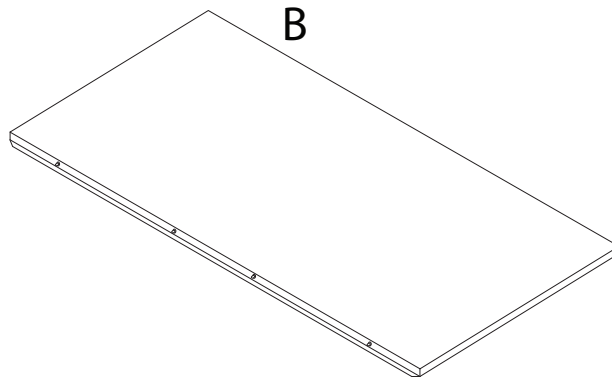


45'

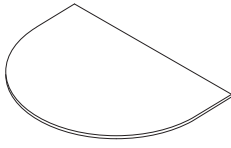


2

1/6

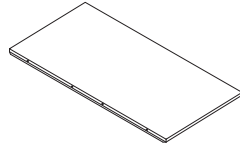


A



x 2

B



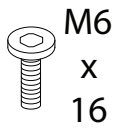
x 1

C



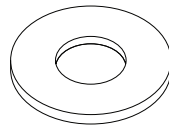
x 4

D



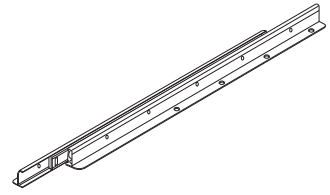
x 32

E



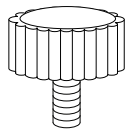
x 32

F



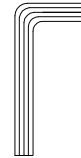
x 2

G



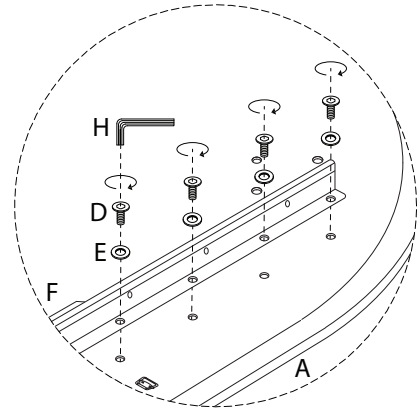
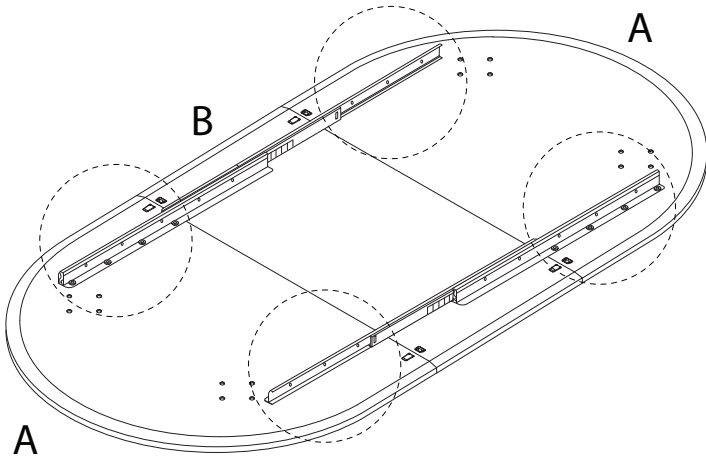
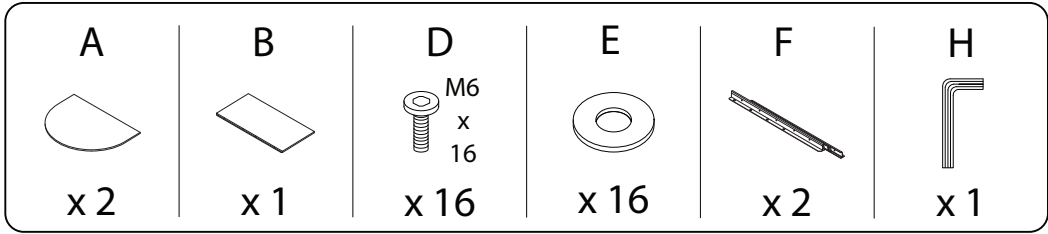
x 4

H

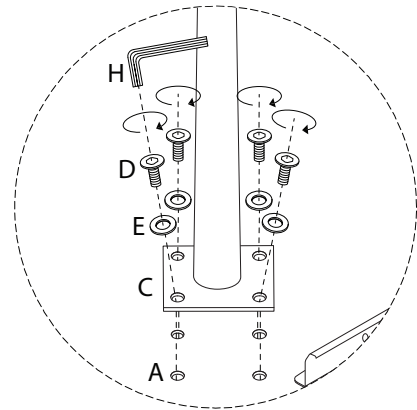
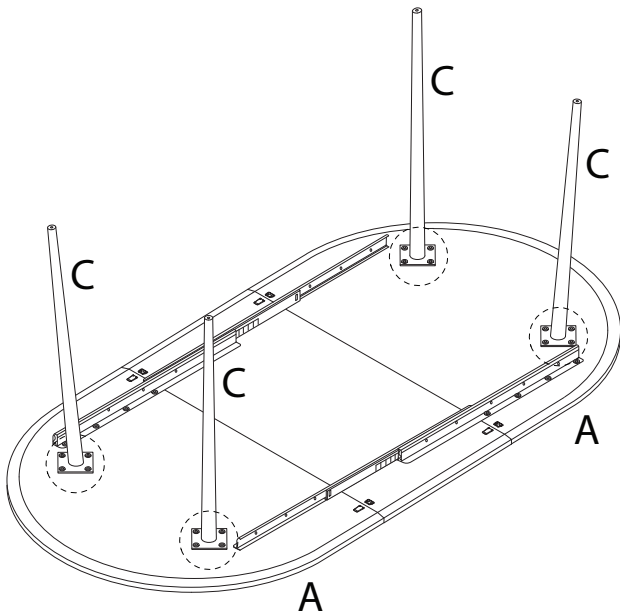


x 1

1



2

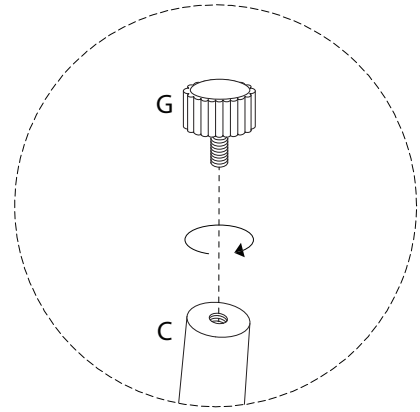
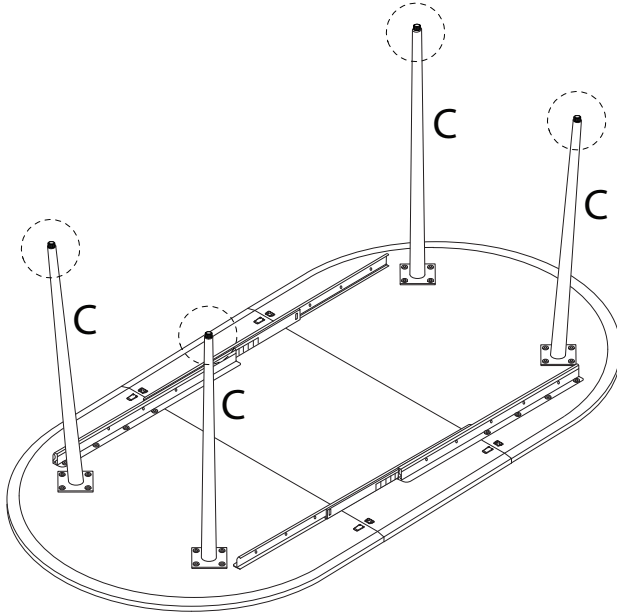


3

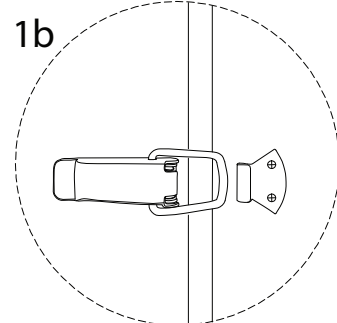
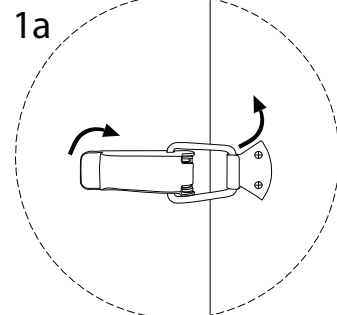
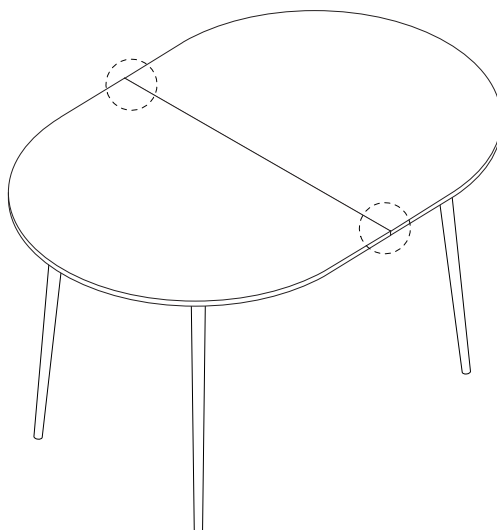
G



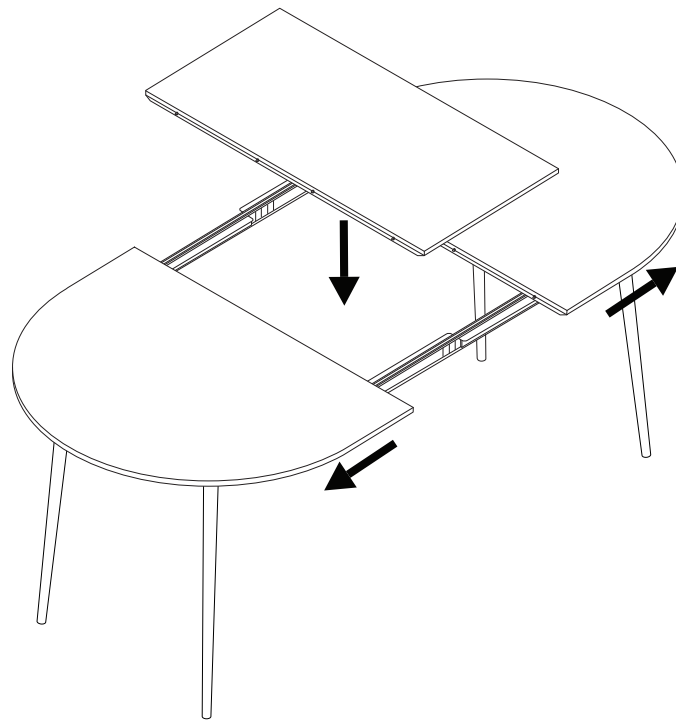
x 4



4



5



6

