

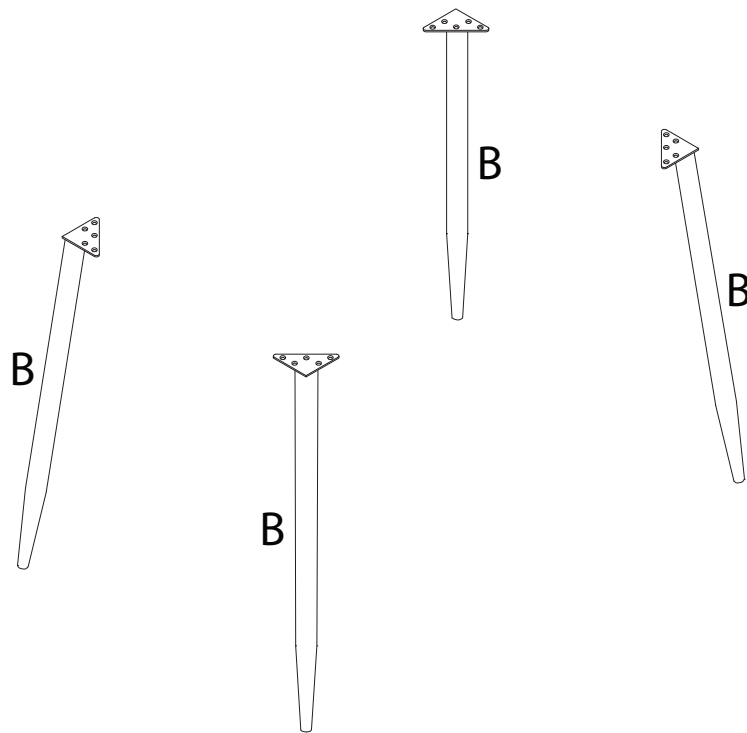
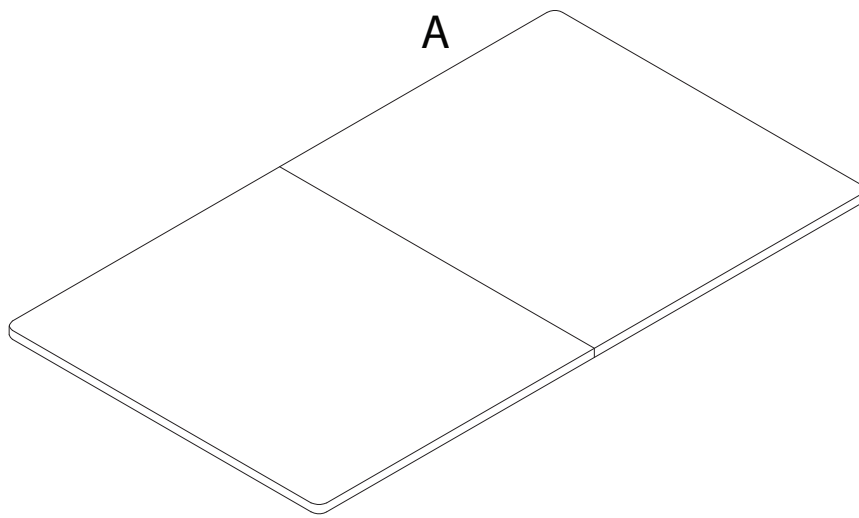
GARMIN

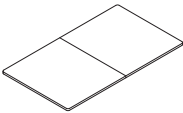


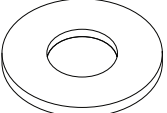





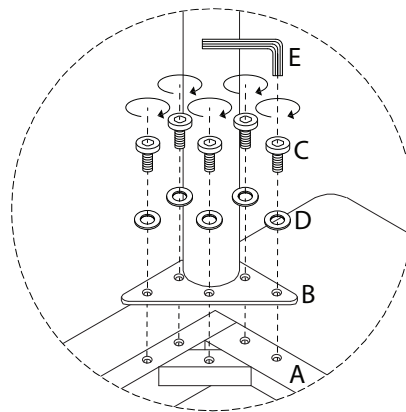
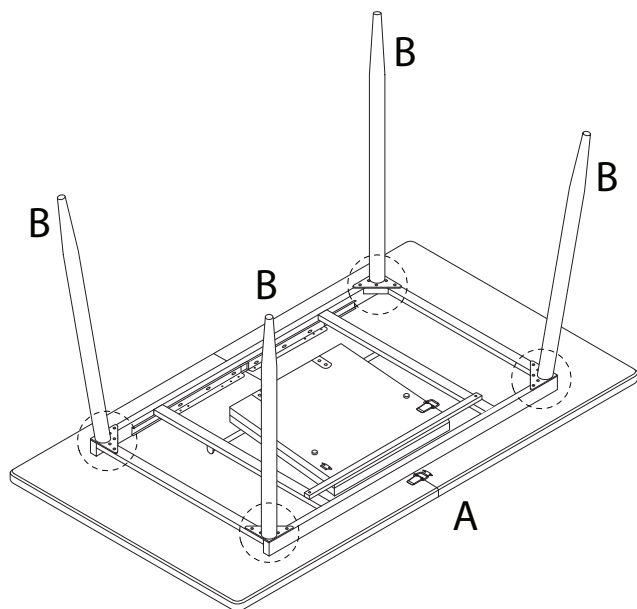
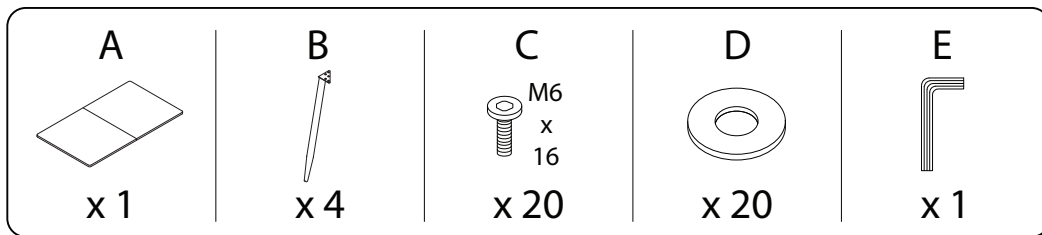
Diagram illustrating assembly instructions and safety warnings:

- Warning 1:** A warning triangle with an exclamation mark is shown next to a box containing an Allen key and a power drill with a diagonal line through it, indicating that a power drill should not be used.
- Warning 2:** A second warning triangle with an exclamation mark is shown next to a box containing a block of wood being placed on a surface and another block being lifted, indicating a lifting or placement instruction.
- Time:** A clock icon is shown next to the text "30'", indicating an estimated assembly time of 30 minutes.
- Personnel:** An icon of a person is shown next to the number "2", indicating that two people are required for assembly.

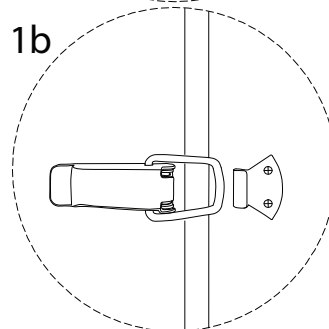
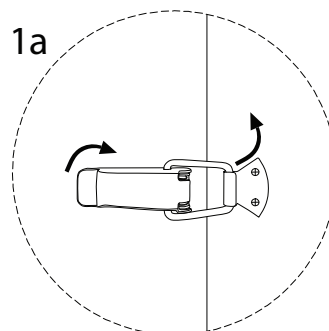
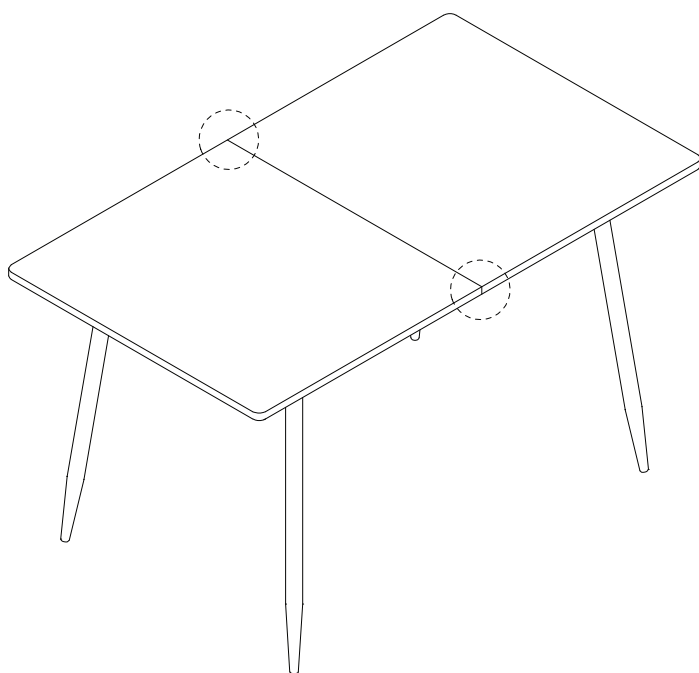


A	B	C	D	E
		 <p>M6 x 16</p>		
x 1	x 4	x 20	x 20	x 1

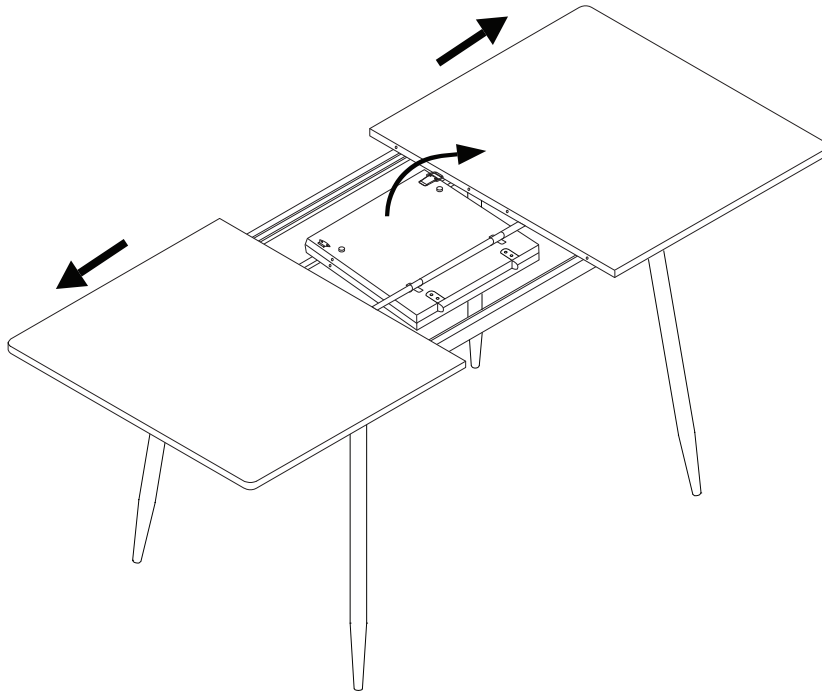
1



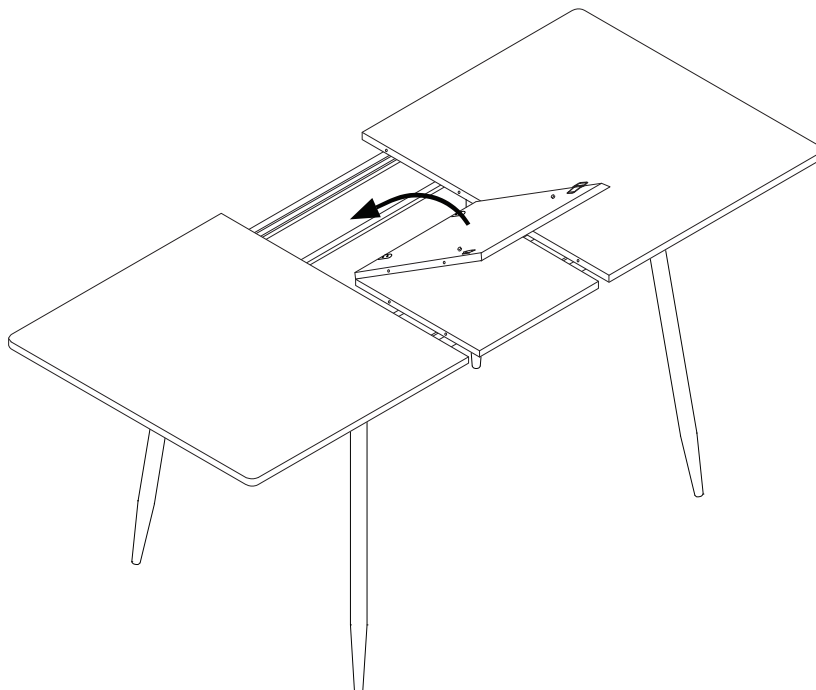
2



3



4



5

