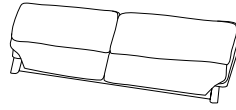
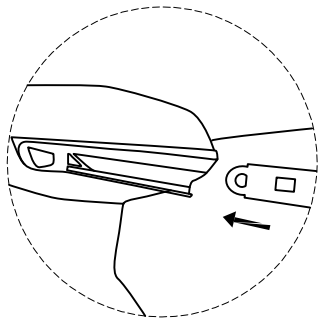
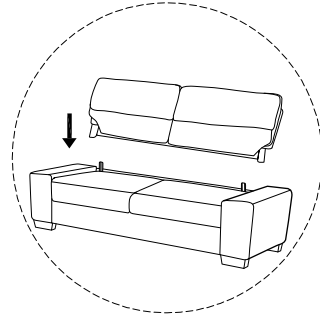
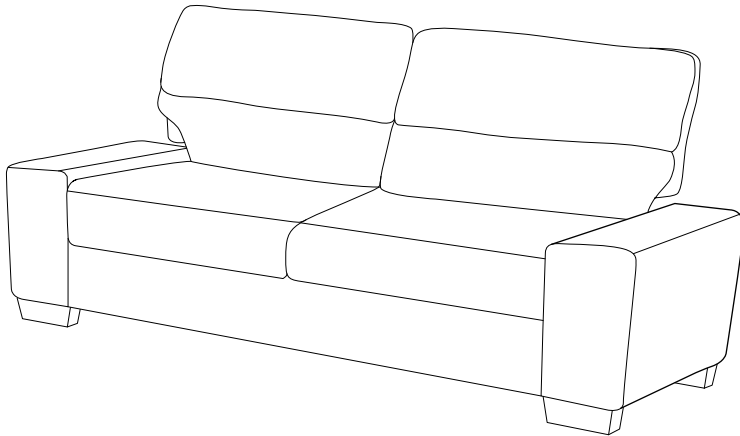


2

A



x1



3

B



x2

