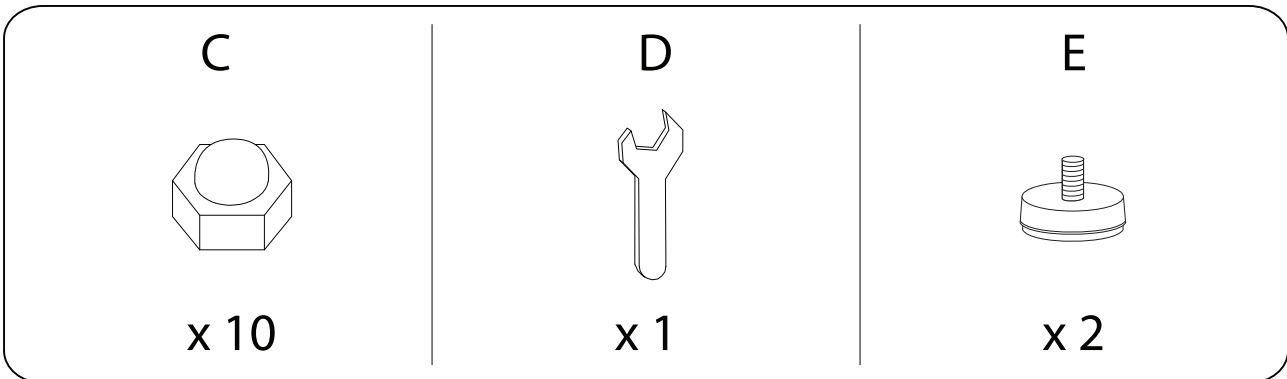
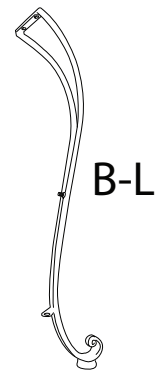
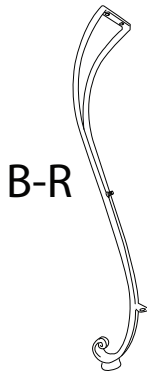
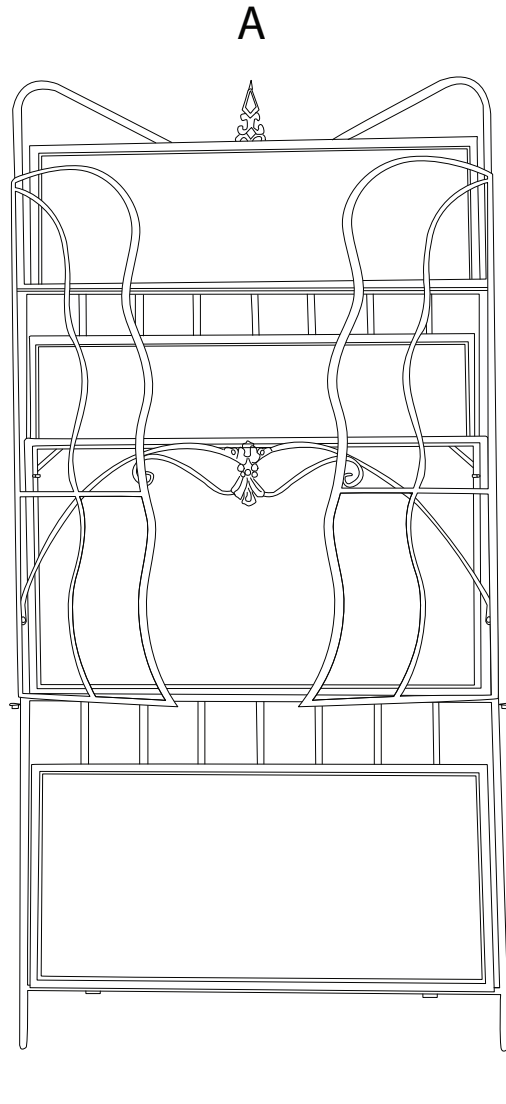
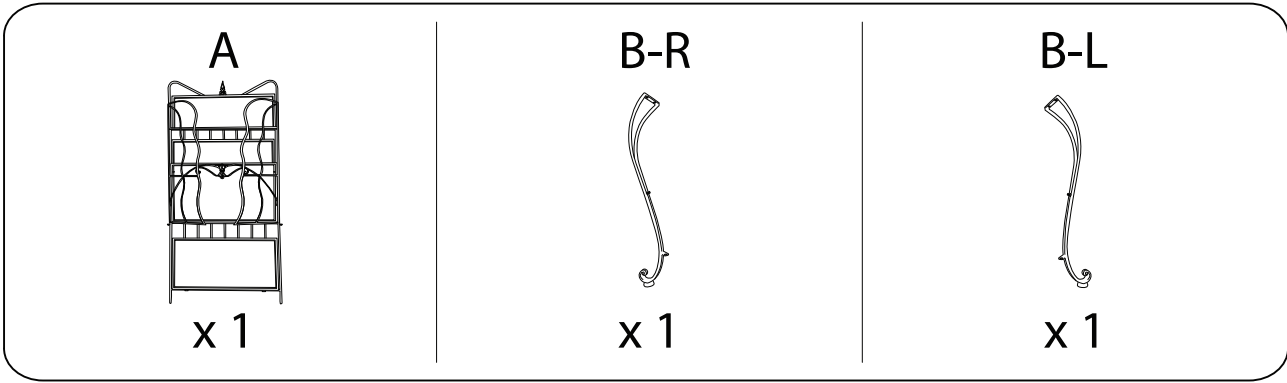


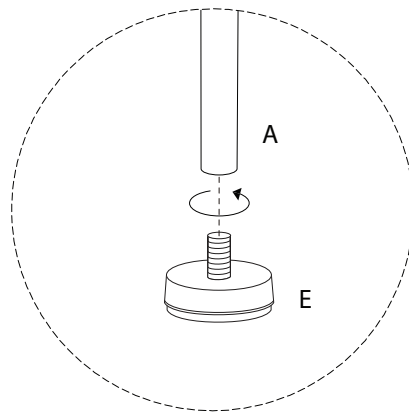
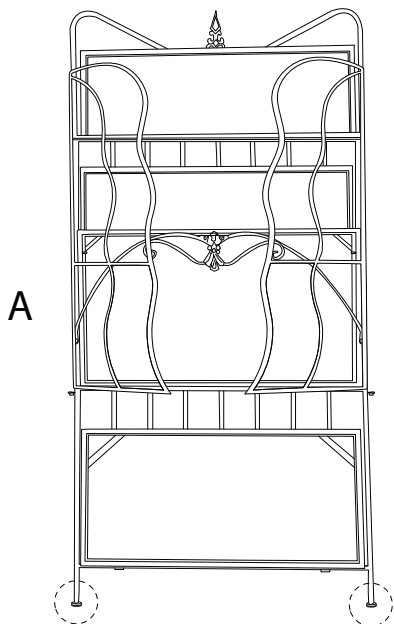
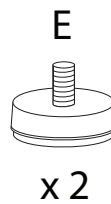
Assembly instructions for step 1/5:

- Tools:** A wrench is shown as the required tool. A power drill is shown with a diagonal line through it, indicating it is not to be used.
- Warning:** A triangle with an exclamation mark indicates a warning.
- Time:** A clock icon indicates that this step takes 20 minutes.
- Personnel:** A person icon indicates that one person is required for this step.

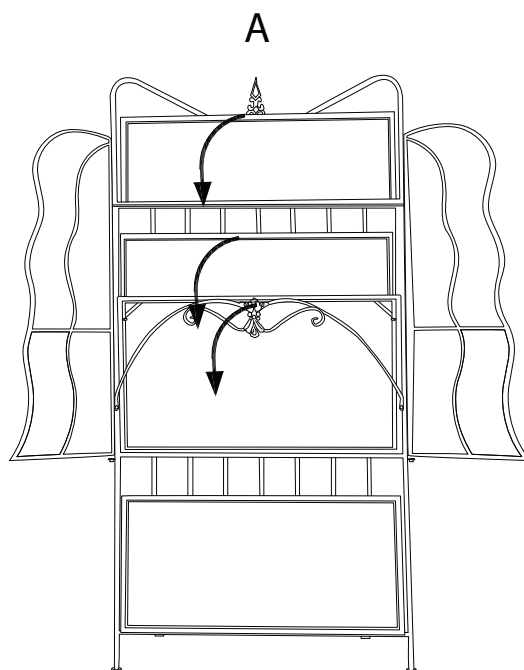
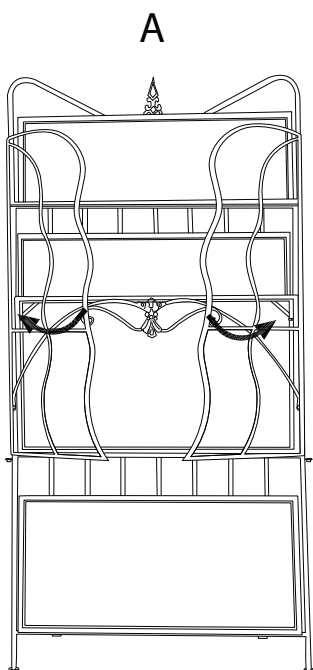
1/5



1



2



3

C

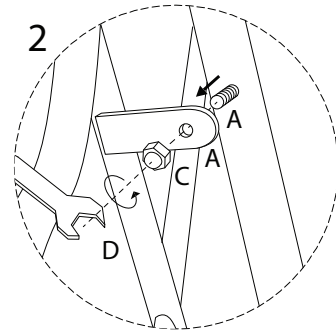
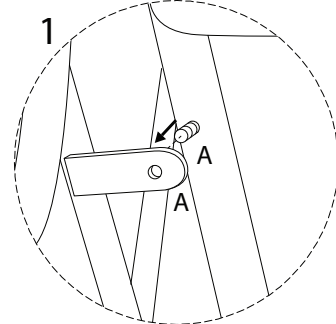
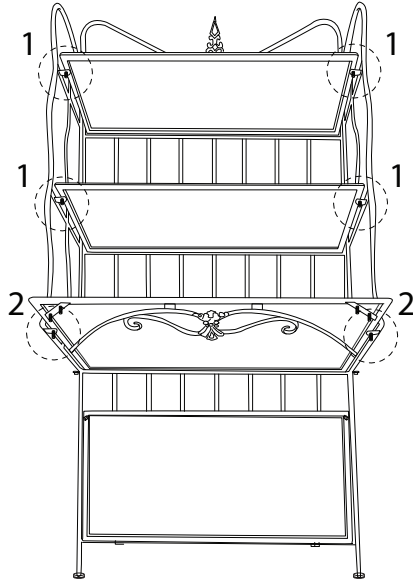


x 2

D



x 1



4

B-R



x 1

B-L



x 1

C

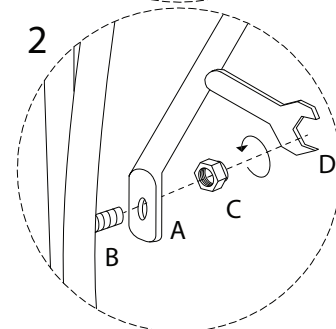
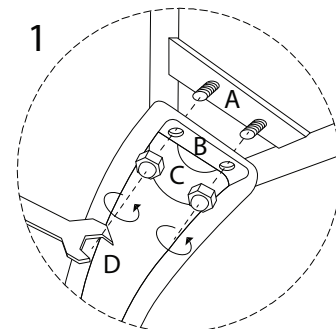
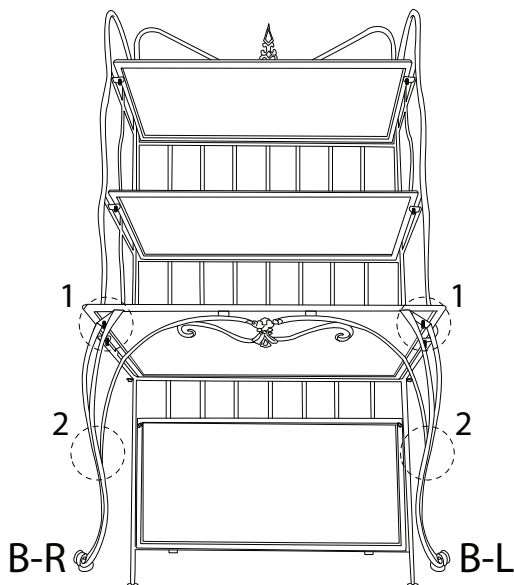


x 6

D



x 1



5

C

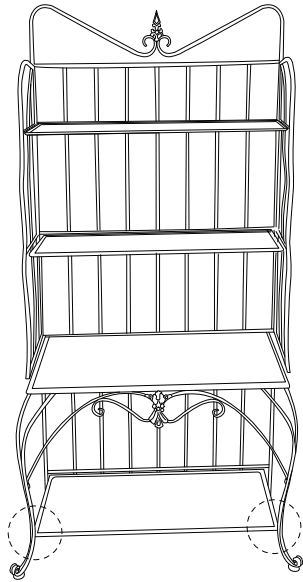


x 2

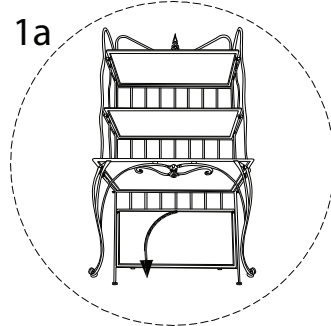
D



x 1



1a



1b

