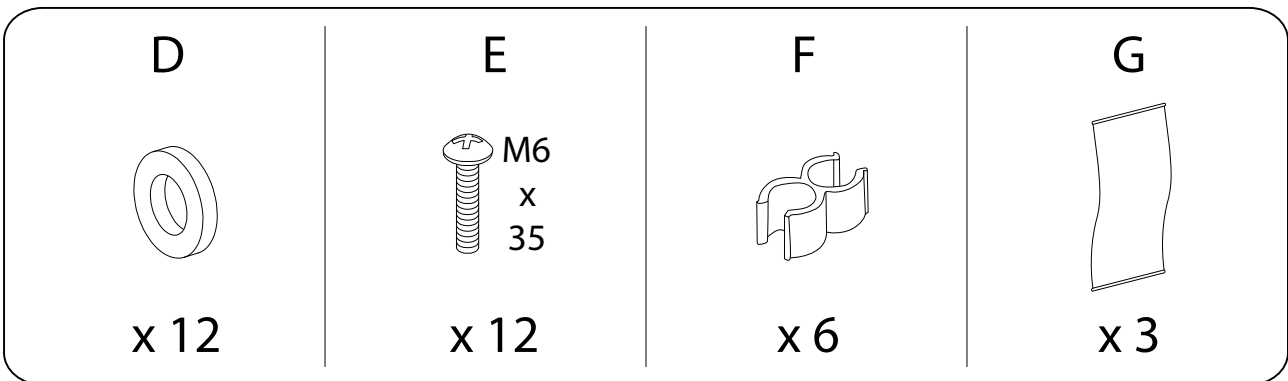
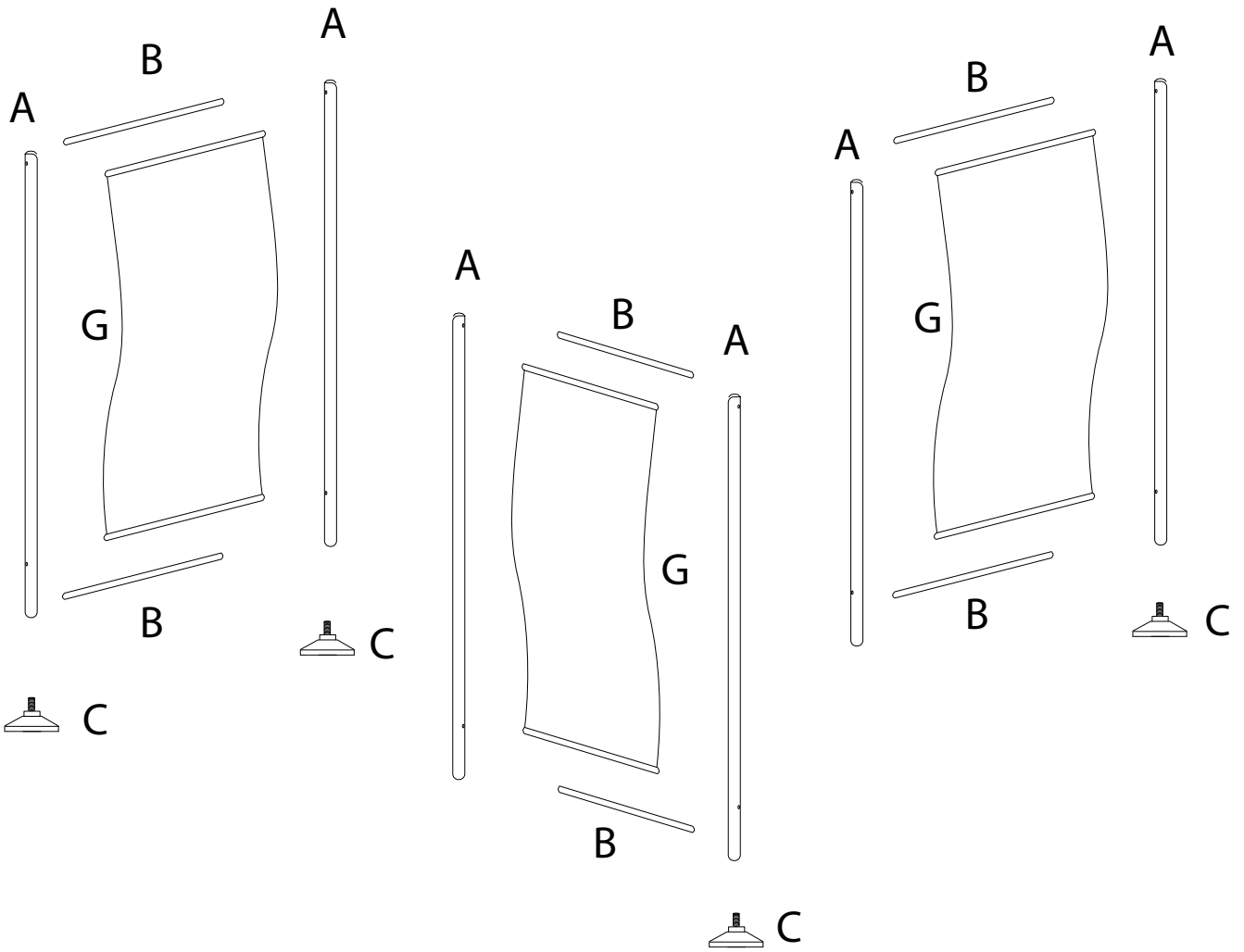
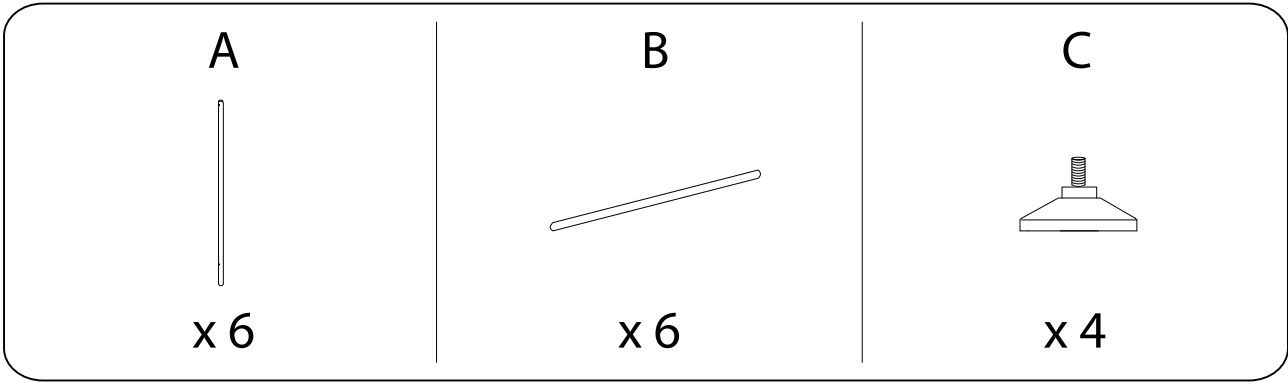


15'

1

1/6



1 x 6

B

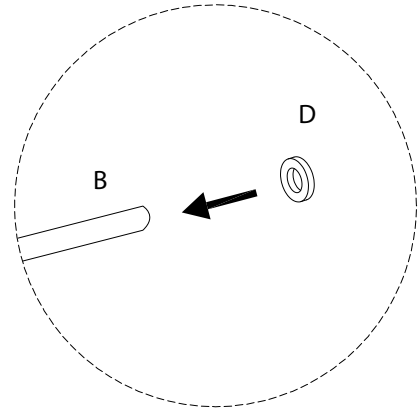
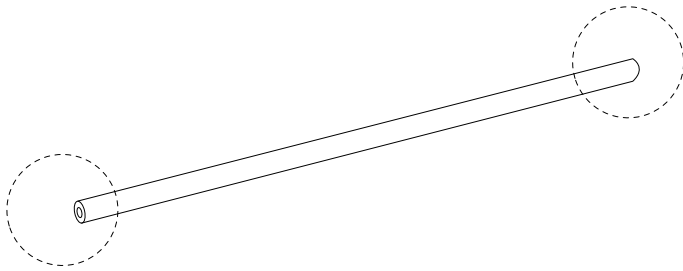


x 1

D



x 2



2 x 3

A

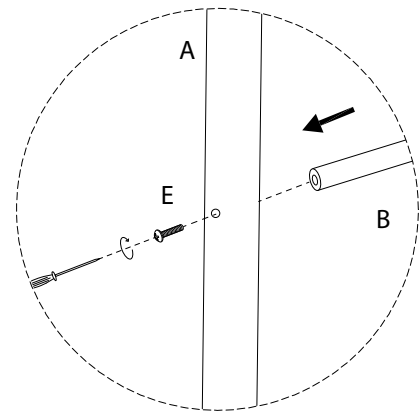
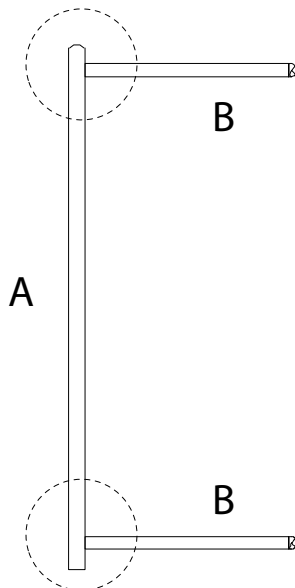


x 1

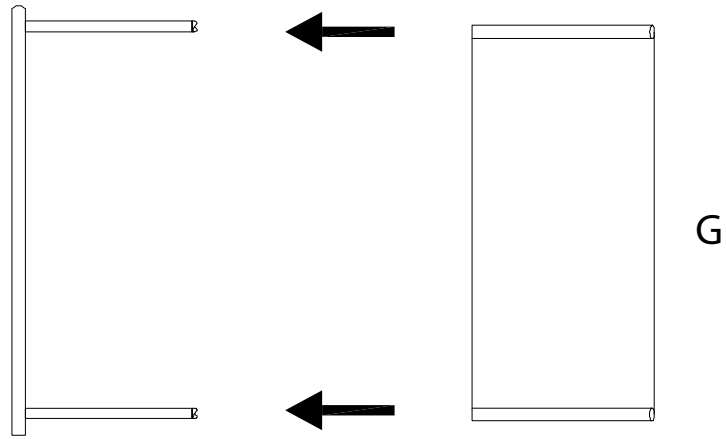
E



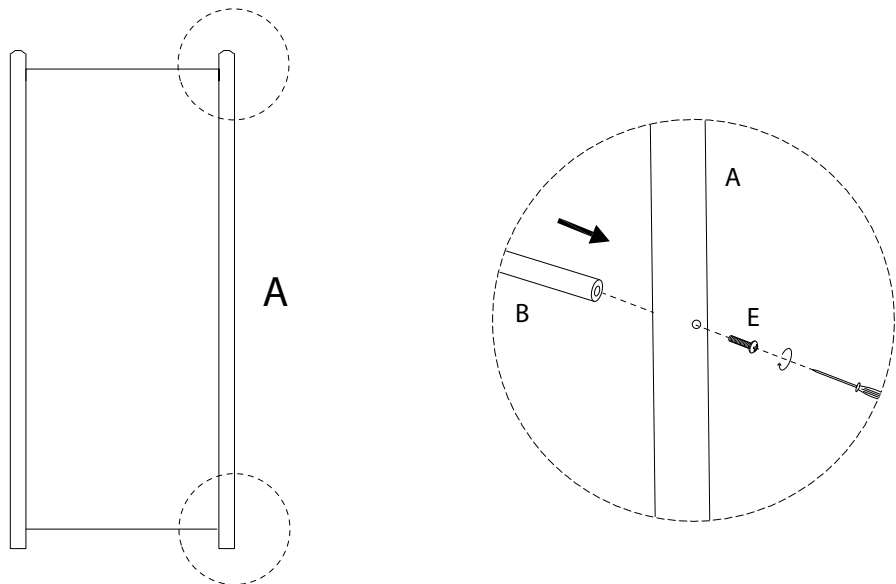
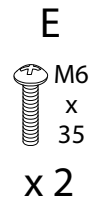
x 2



3 x 3



4 x 3

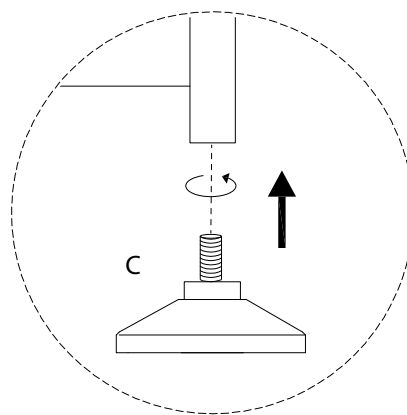
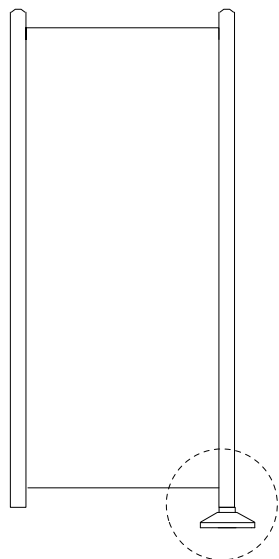


5 x 2

C



x 1

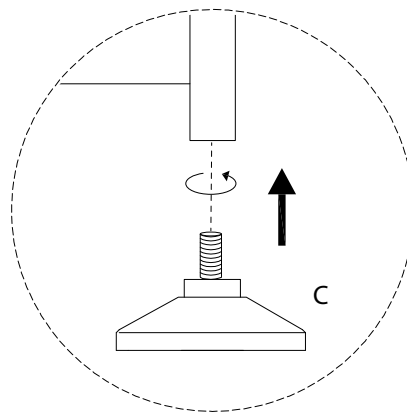
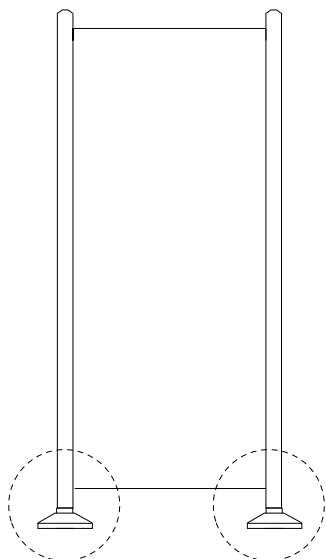


6

C



x 2



7

F



x 6

