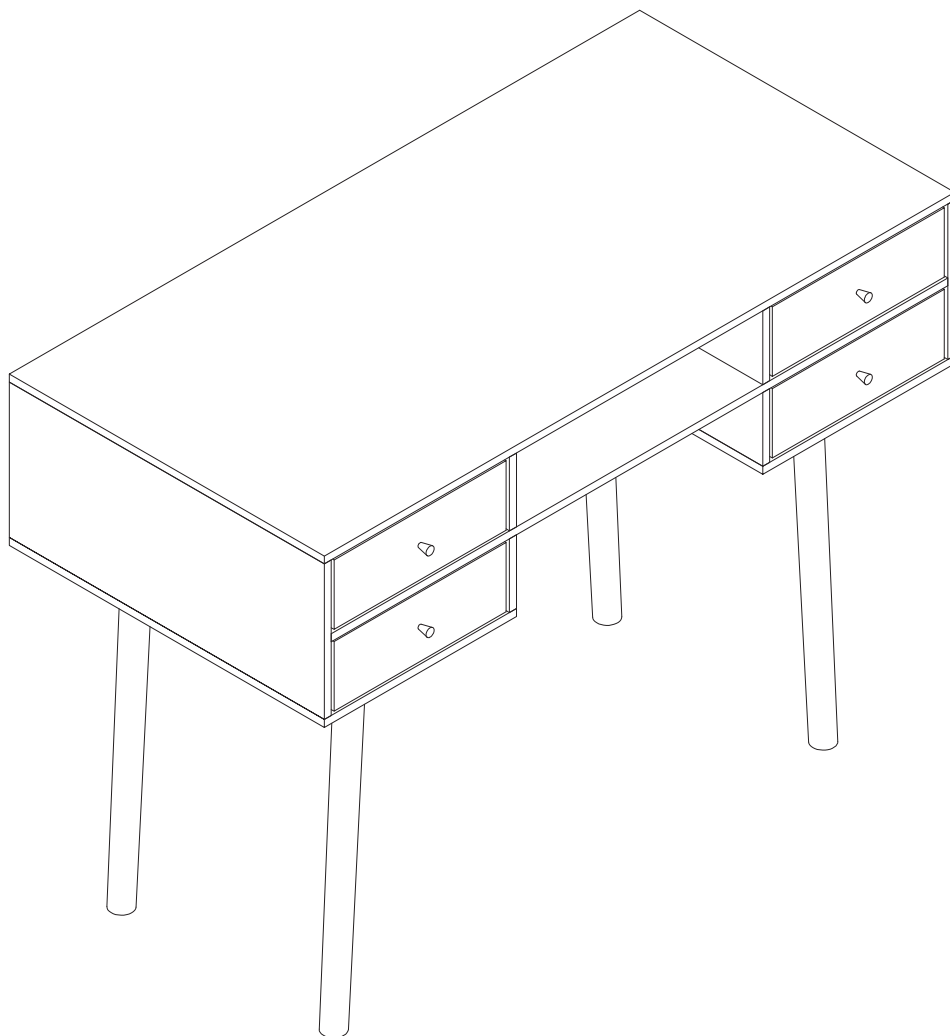
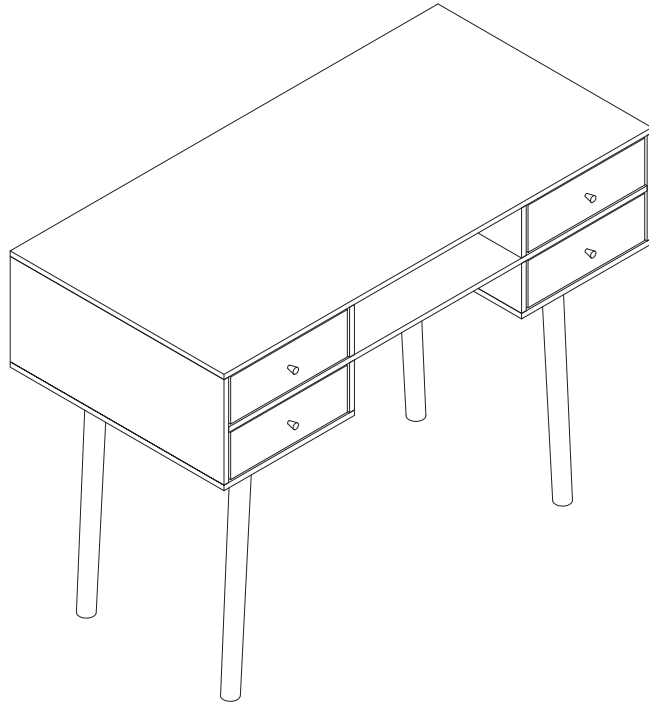


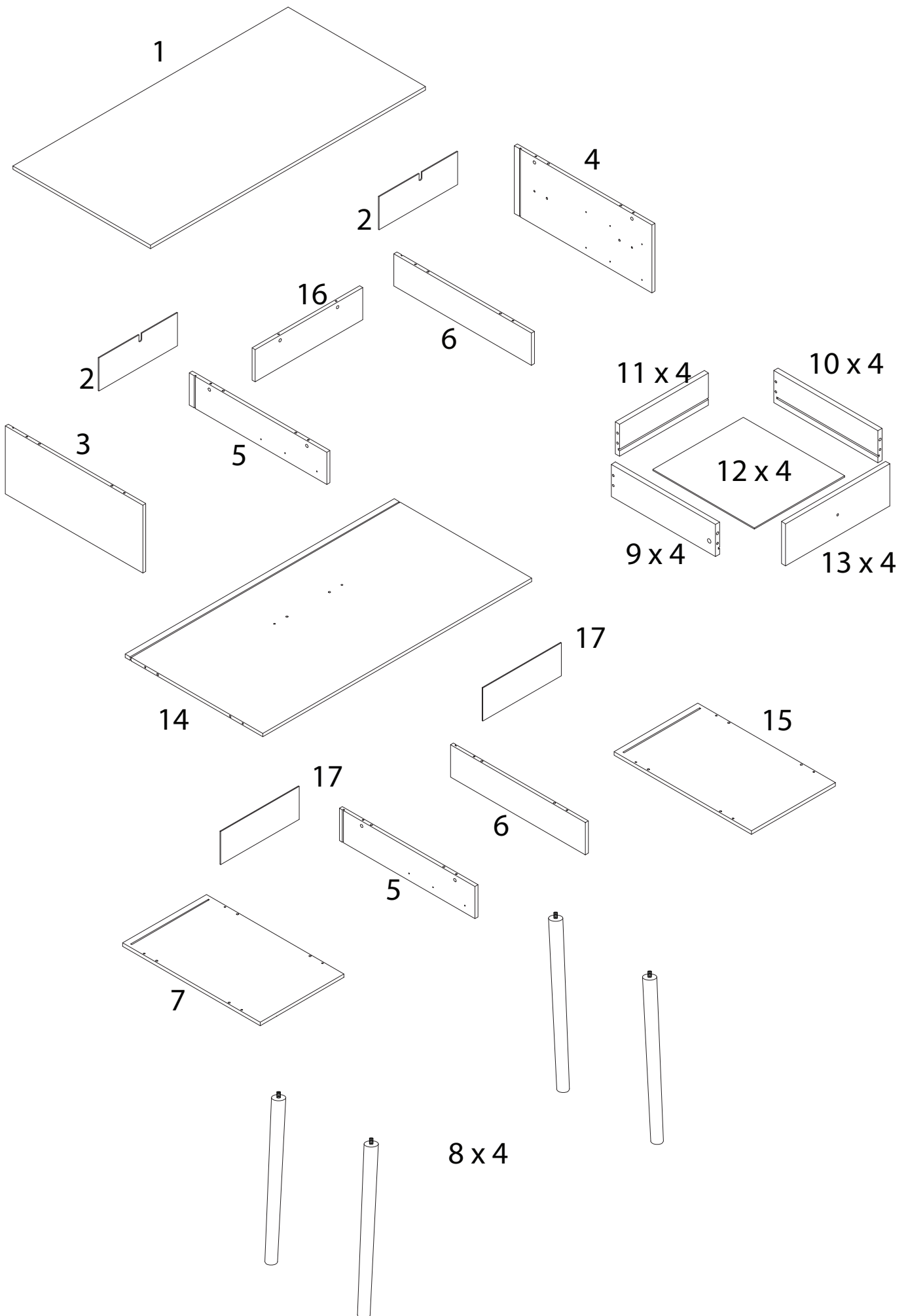
LEVIN



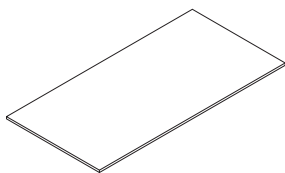


Assembly instructions for step 1/22:

- Use a screwdriver, not a power drill. (Warning: Power drill is crossed out)
- Use a rubber mallet, not a hammer. (Warning: Hammer is crossed out)
- Estimated time: 90'
- Number of people required: 2

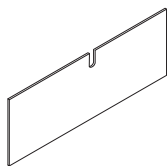


1



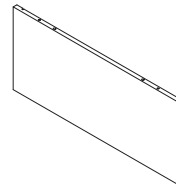
x 1

2



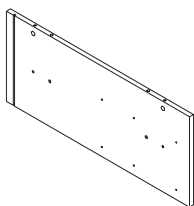
x 2

3



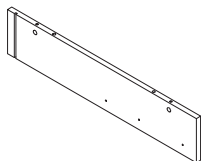
x 1

4



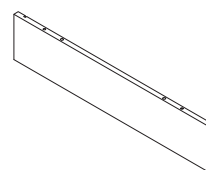
x 1

5



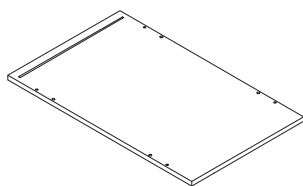
x 2

6



x 2

7



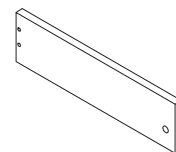
x 1

8



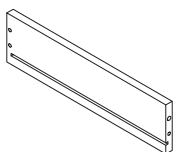
x 4

9



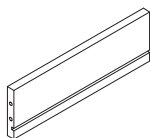
x 4

10



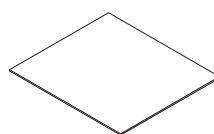
x 4

11



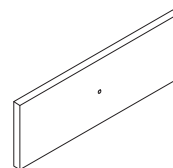
x 4

12



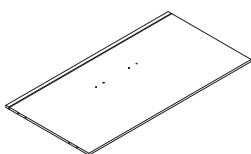
x 4

13



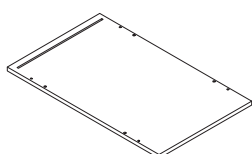
x 4

14



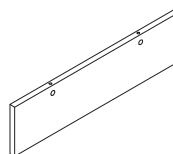
x 1

15



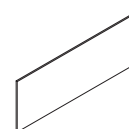
x 1

16



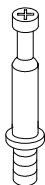
x 1

17



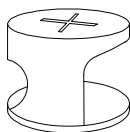
x 2

A



x 26

B



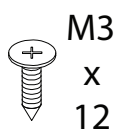
x 26

C



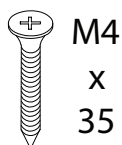
x 40

D



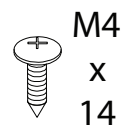
x 48

E



x 32

F



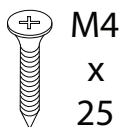
x 20

G



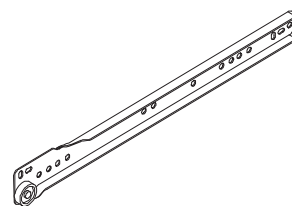
x 4

H



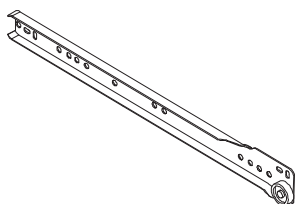
x 4

I



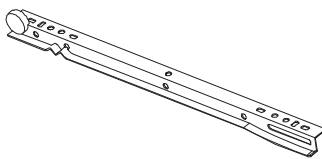
x 4

J



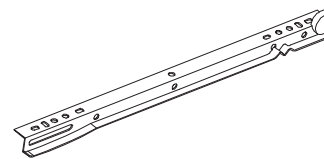
x 4

K



x 4

L



x 4

M



x 4

N



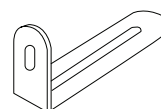
x 2

O



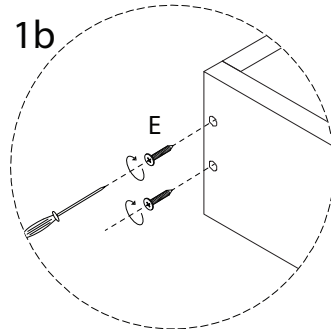
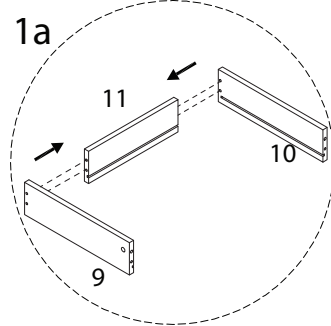
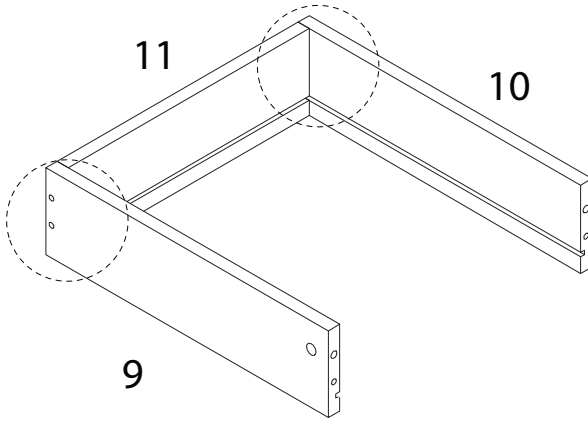
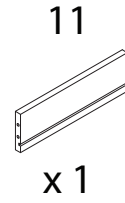
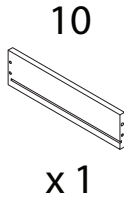
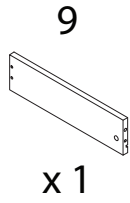
x 2

P

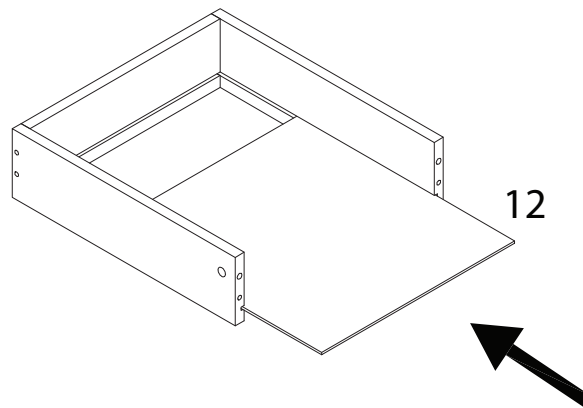
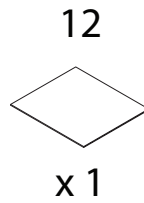


x 2

1 x 4

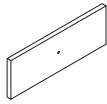


2 x 4



3 x 4

13



x1

A

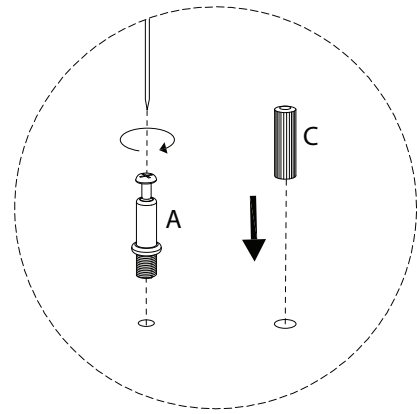
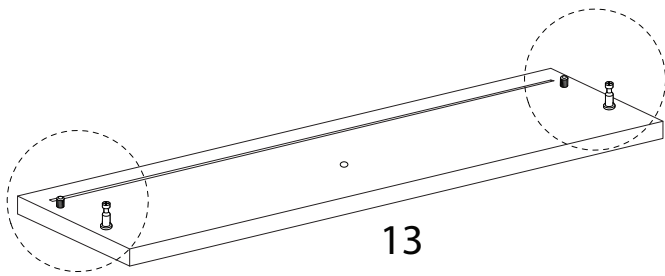


x2

C



x2

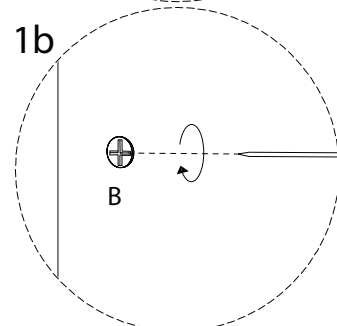
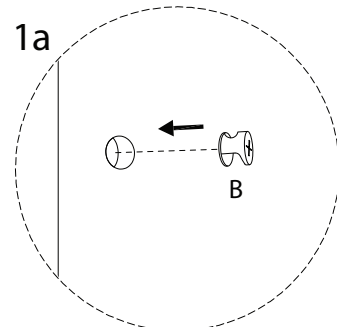
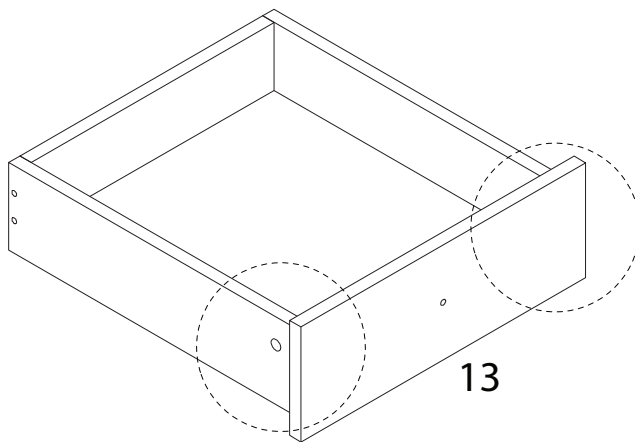


4 x 4

B

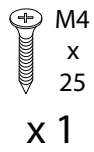


x2



5 x 4

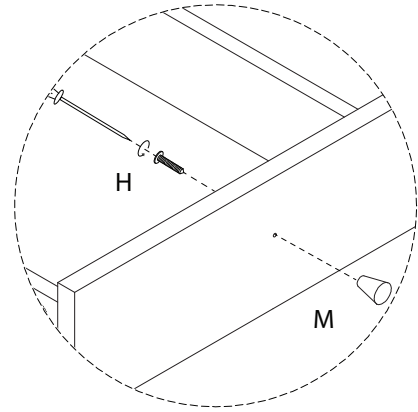
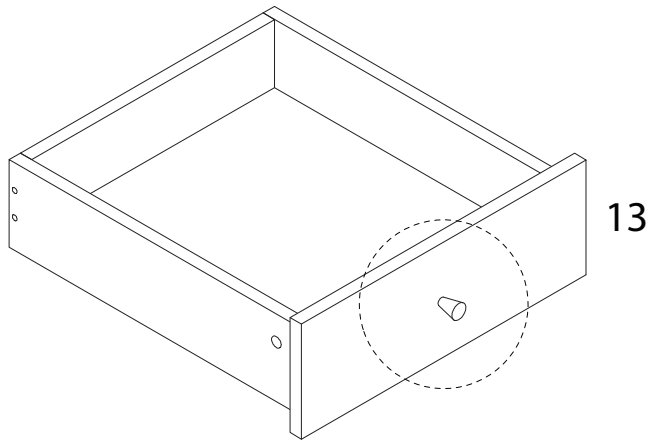
H



M

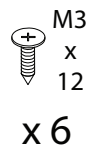


x 1

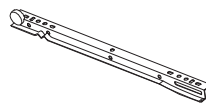


6 x 4

D

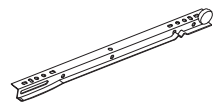


K

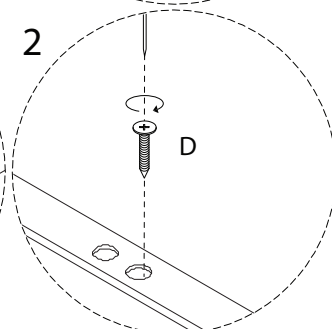
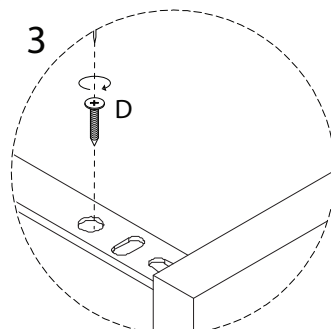
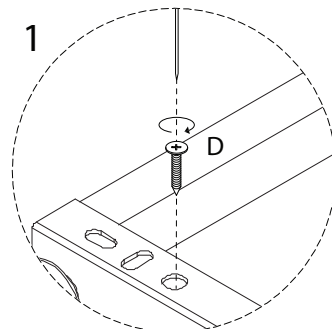
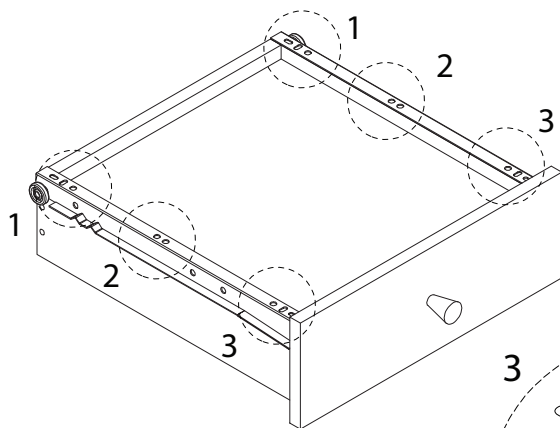


x 1

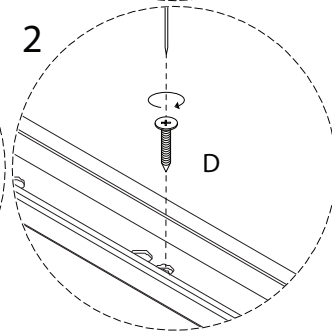
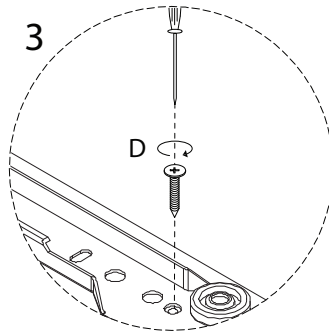
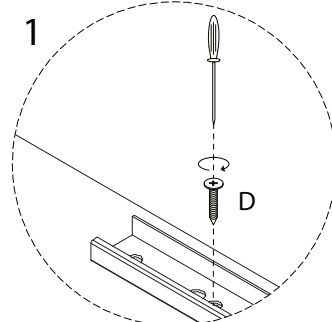
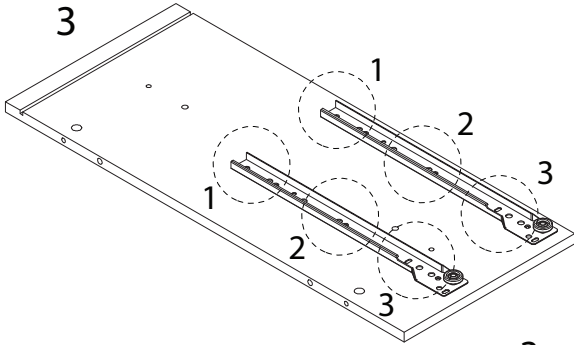
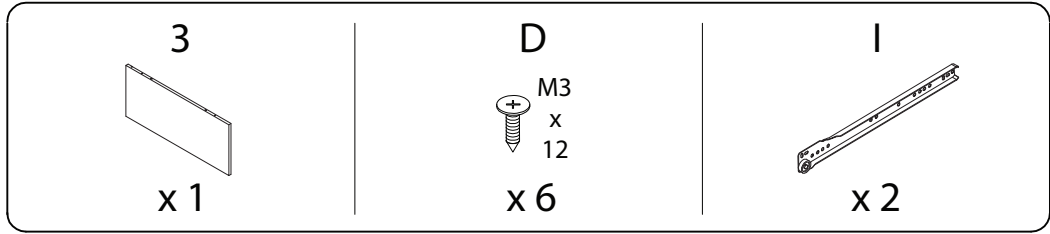
L



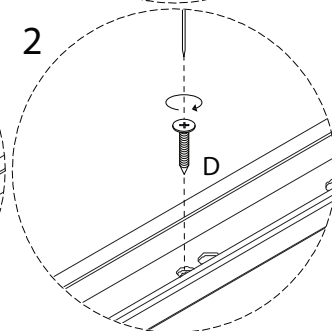
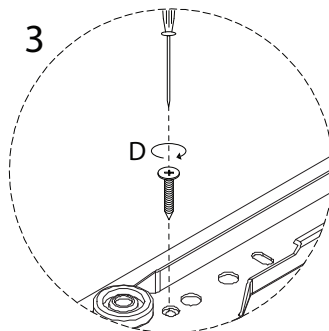
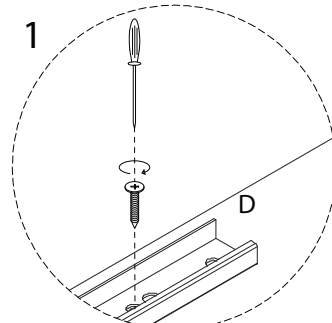
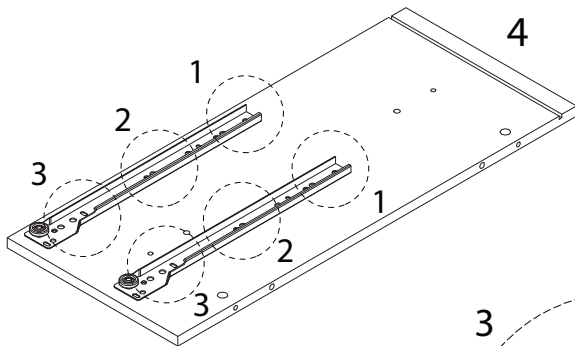
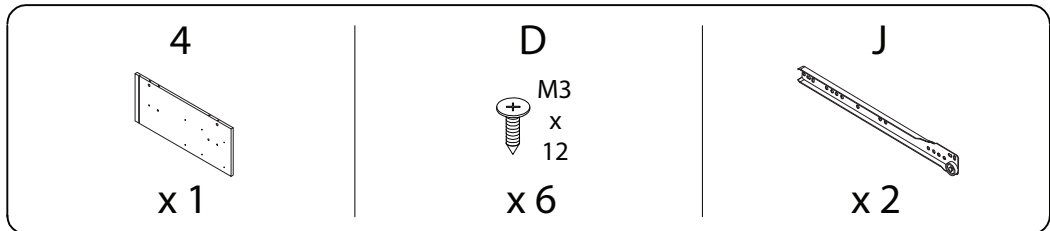
x 1



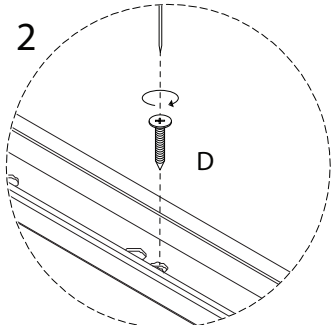
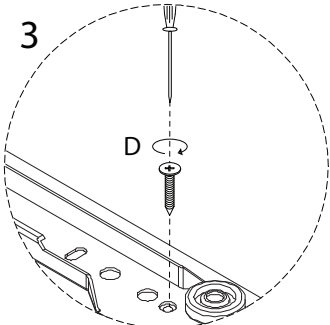
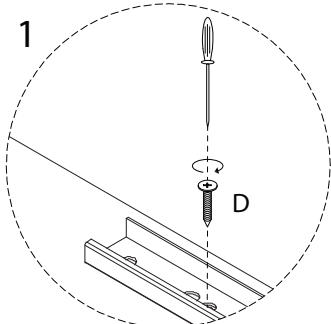
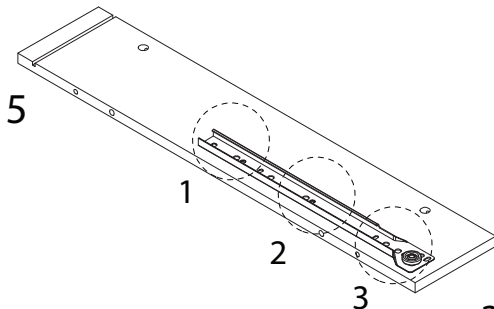
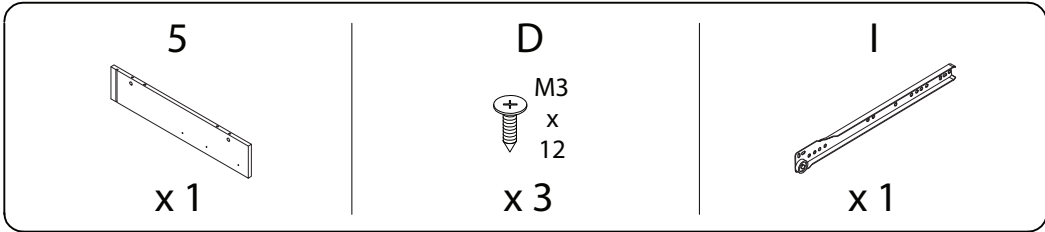
7



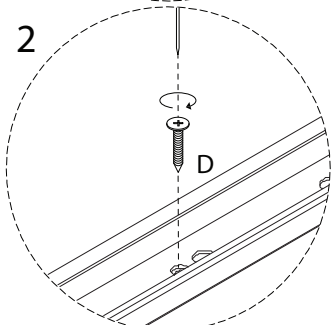
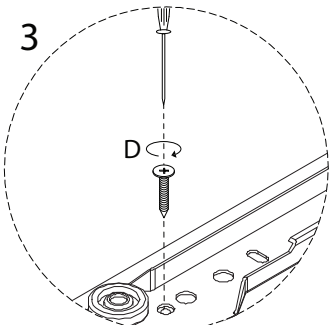
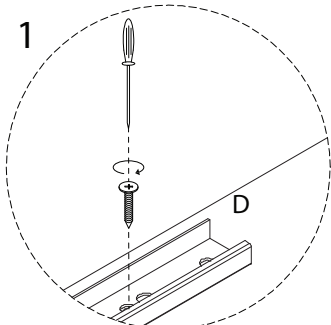
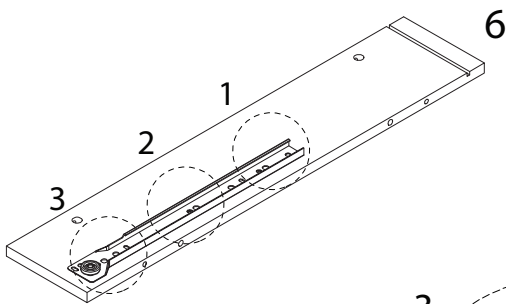
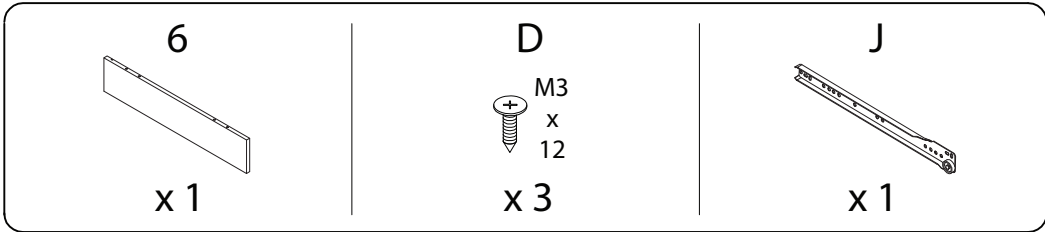
8



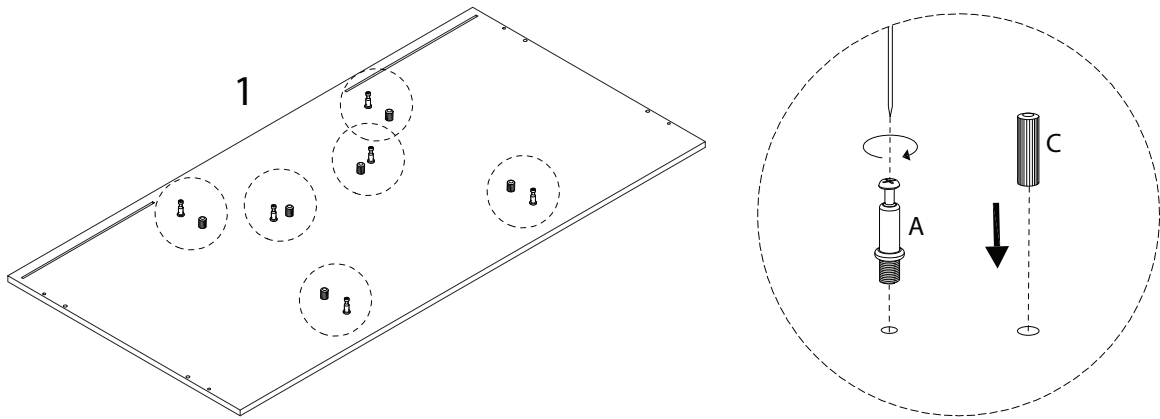
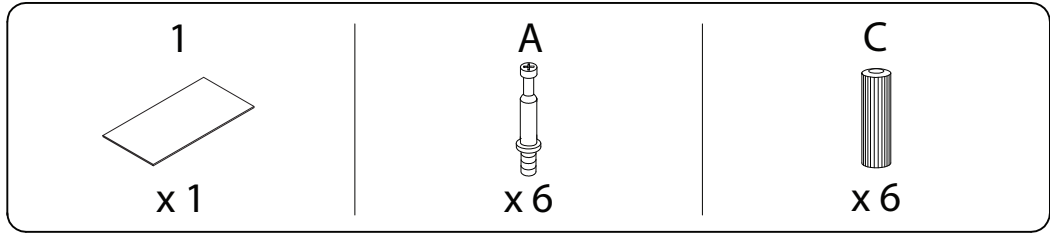
9 x 2



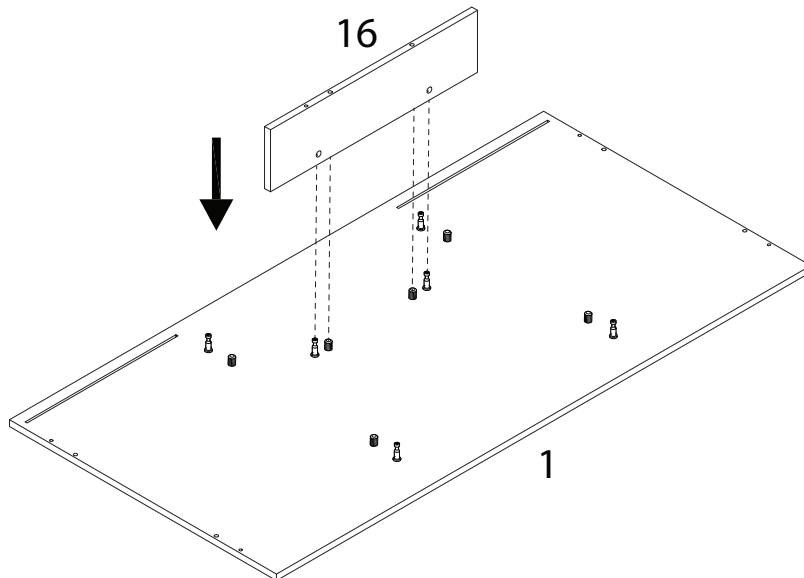
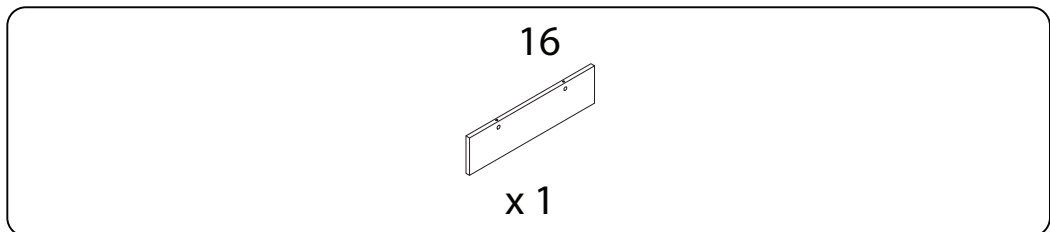
10 x 2



11



12

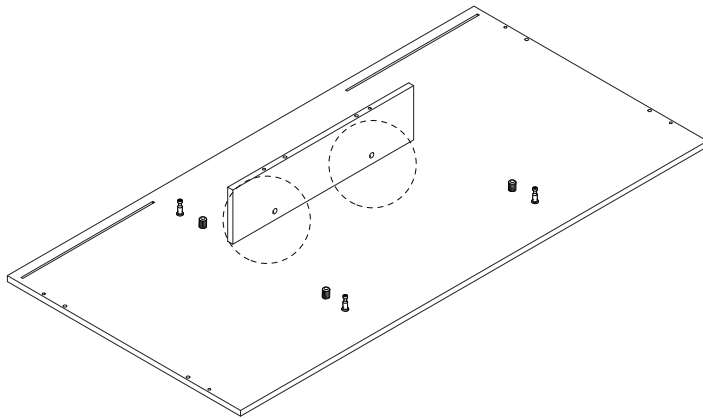


13

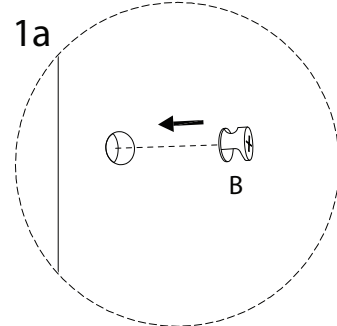
B



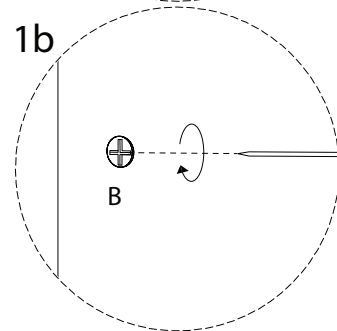
x 2



1a



1b



14

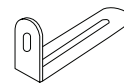
N



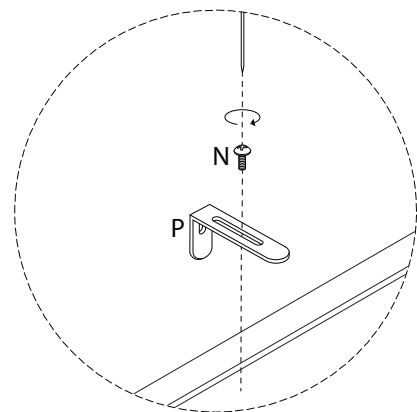
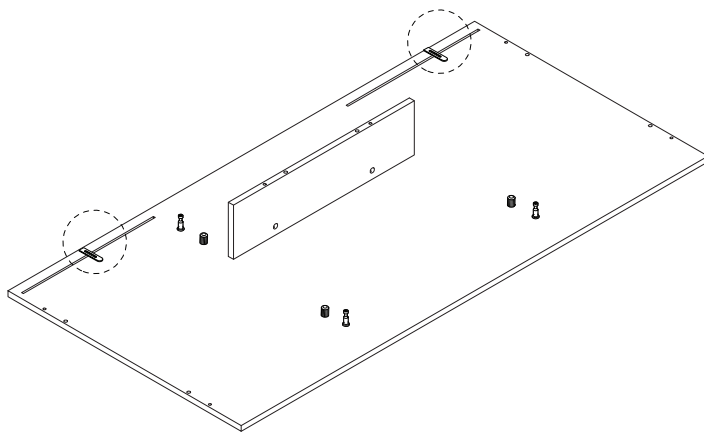
M4
x
12

x 2

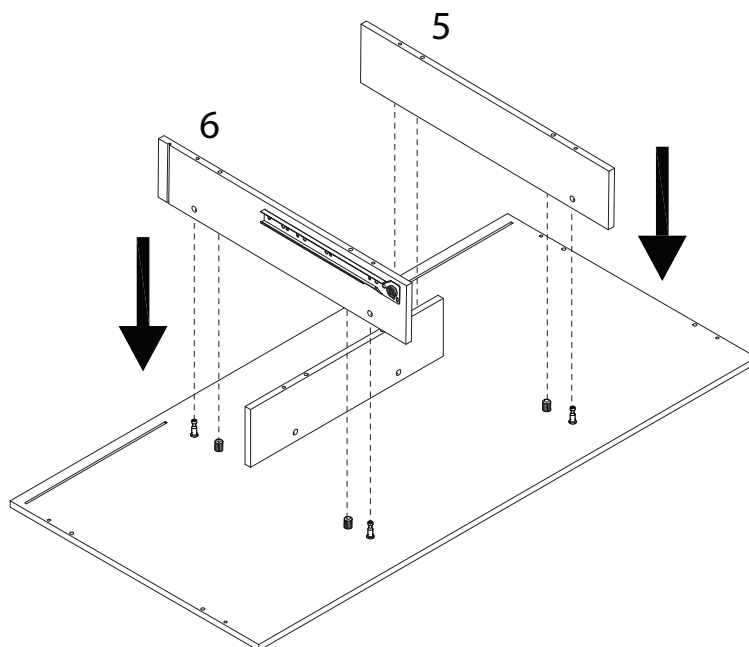
P



x 2



15

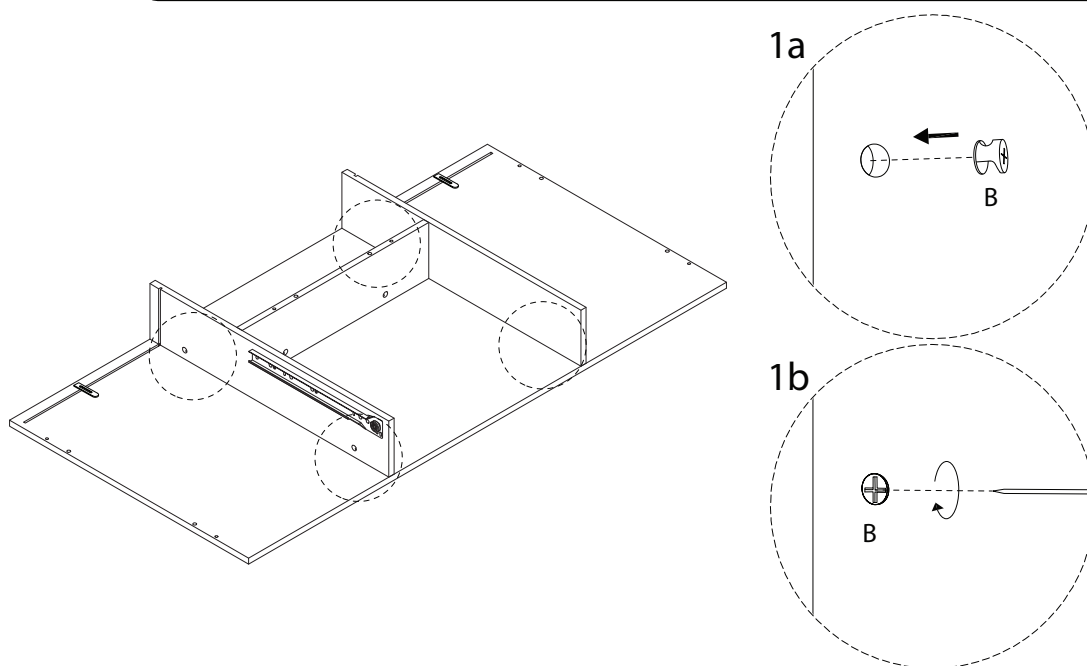


16

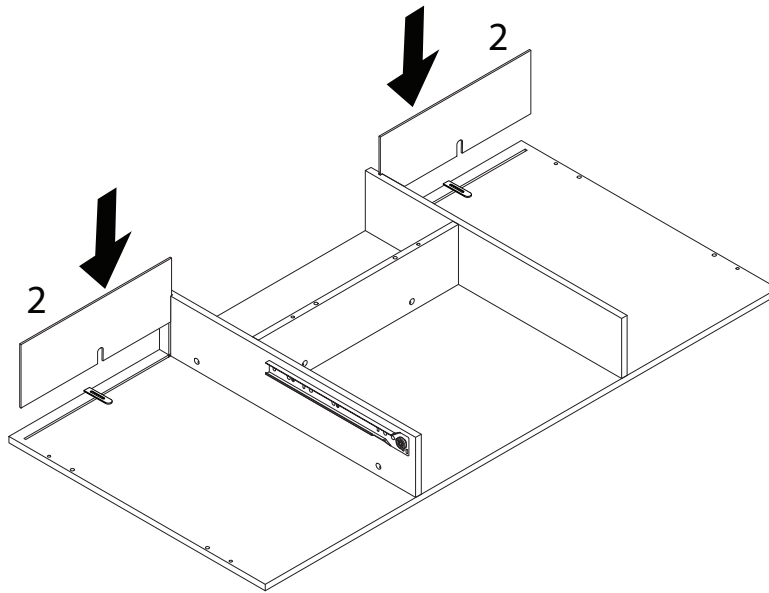
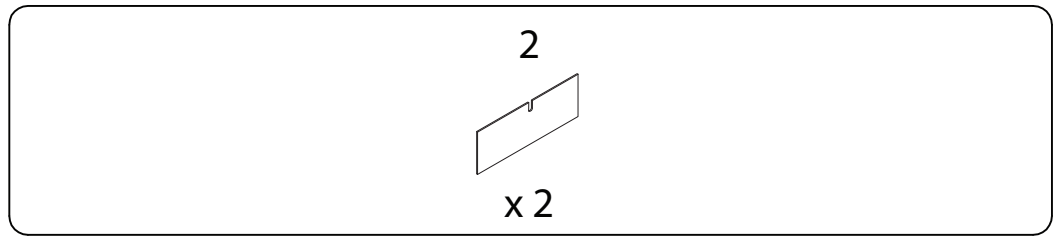
B



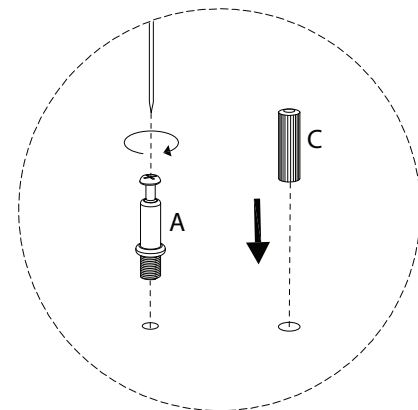
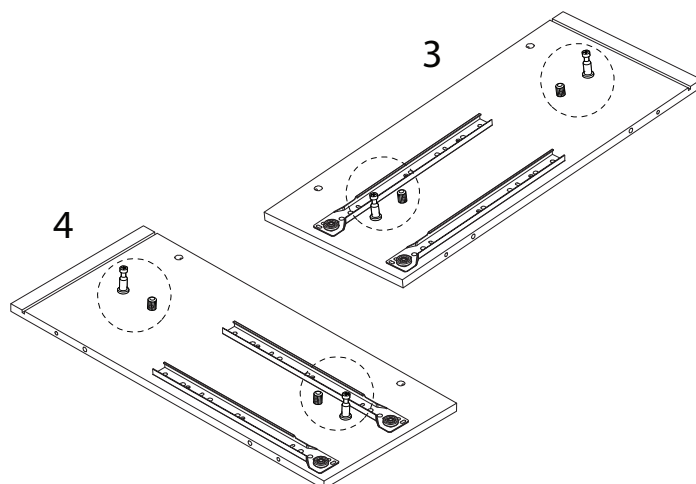
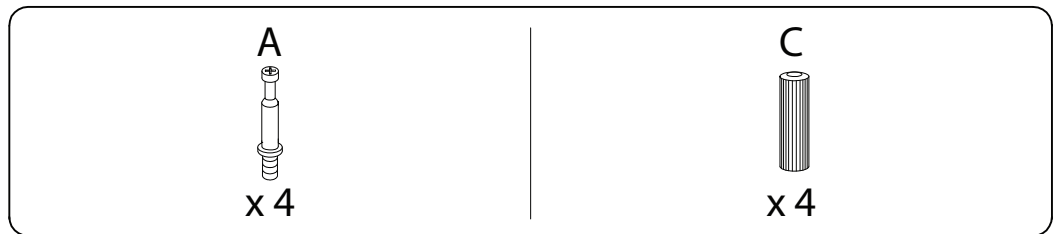
x 4



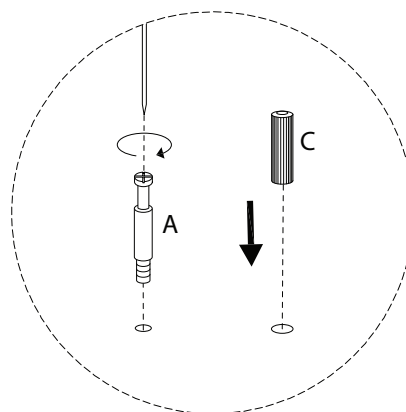
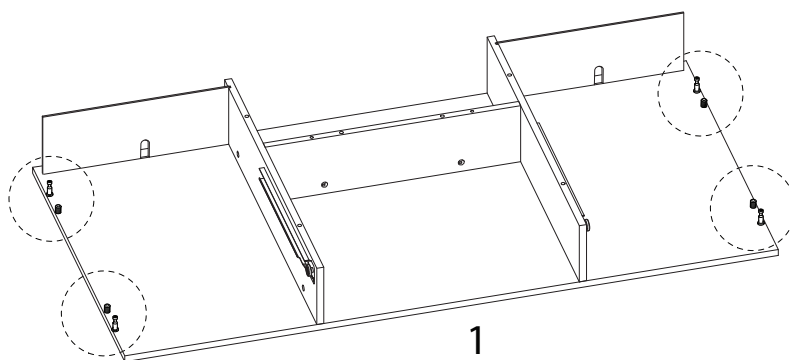
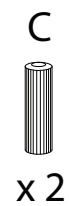
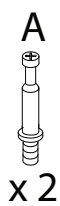
17



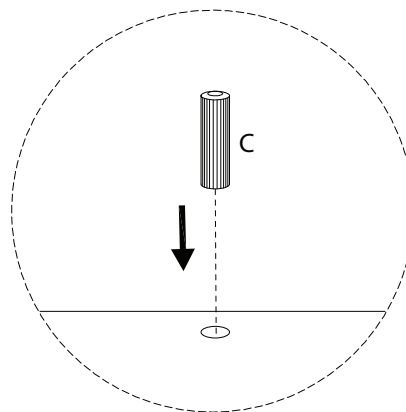
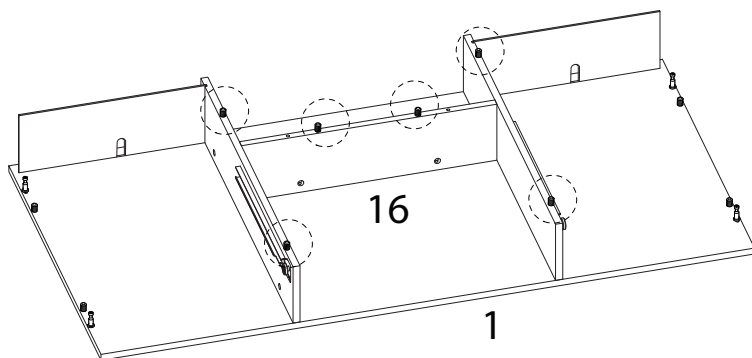
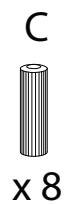
18



19

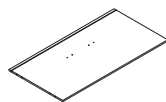


20

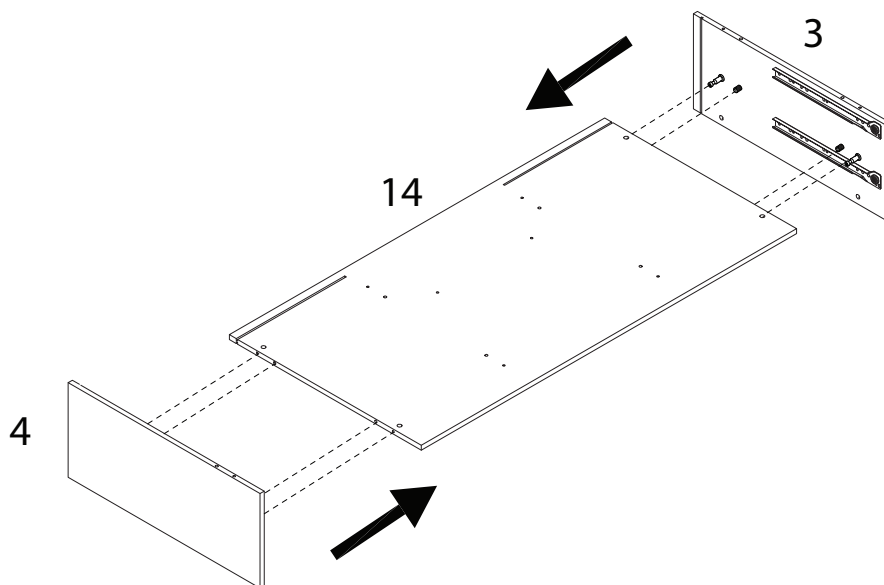


21

14



x 1

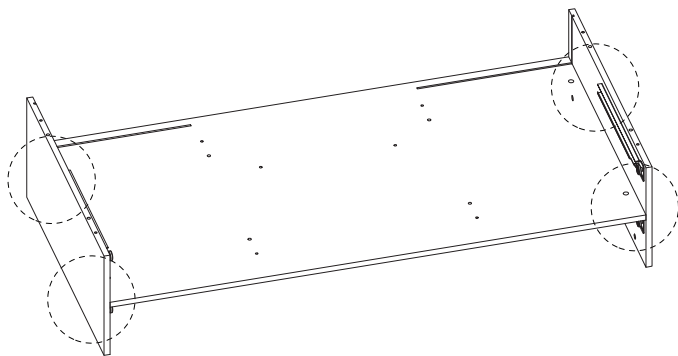


22

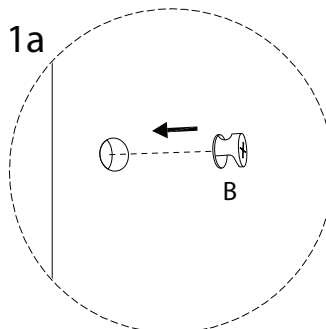
B



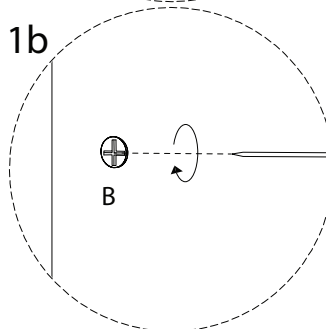
x 4



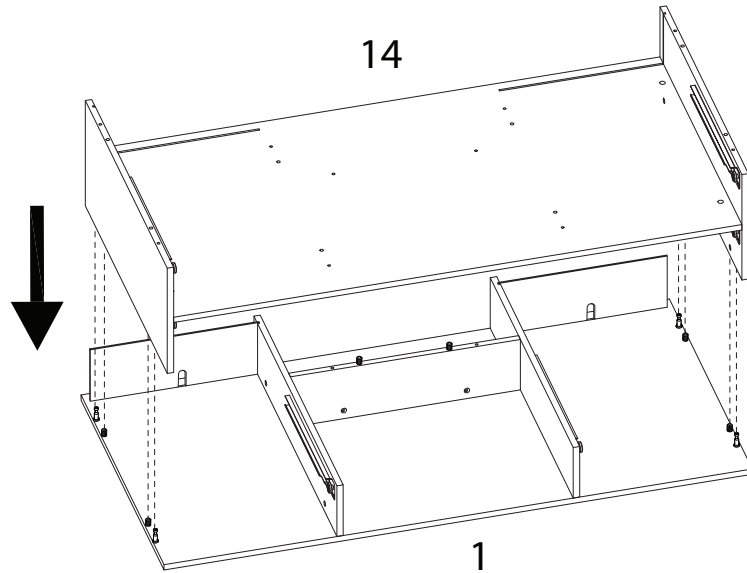
1a



1b



23

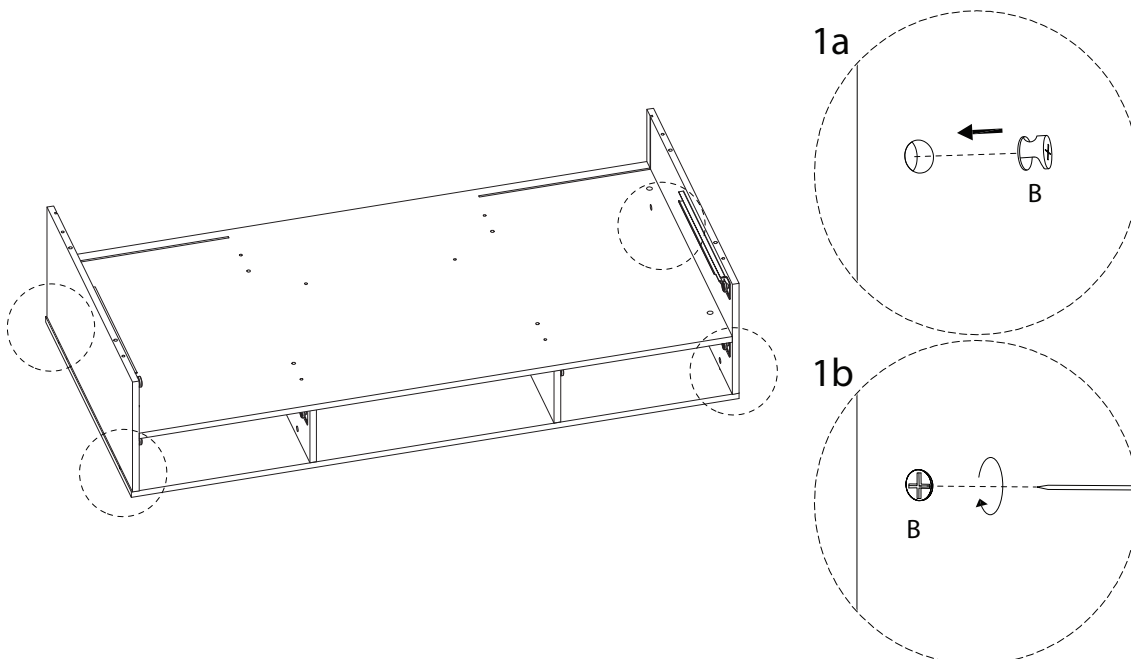


24

B

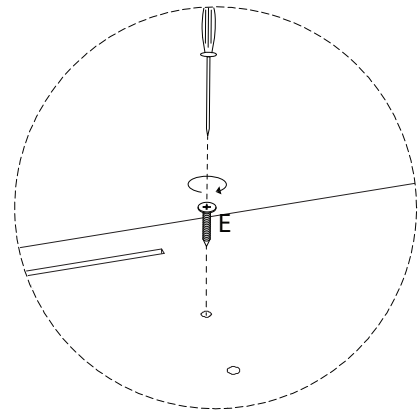
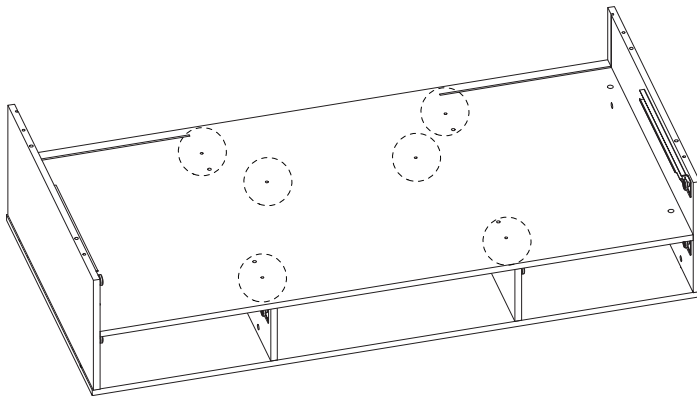


x 4



25

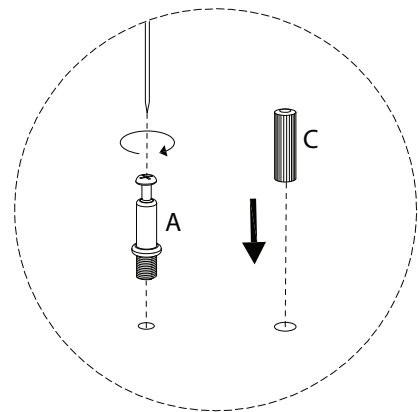
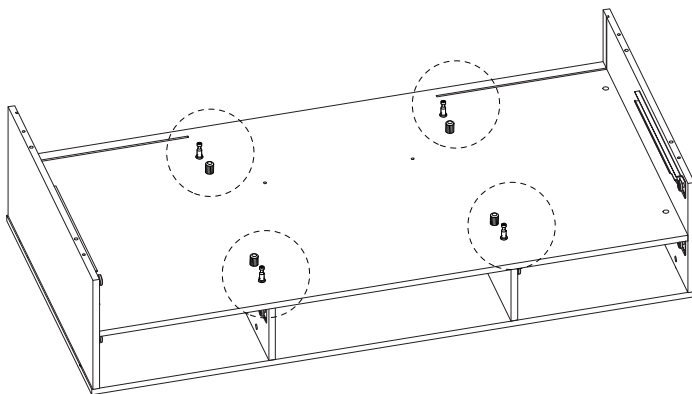
E
M4
x
35
x 6



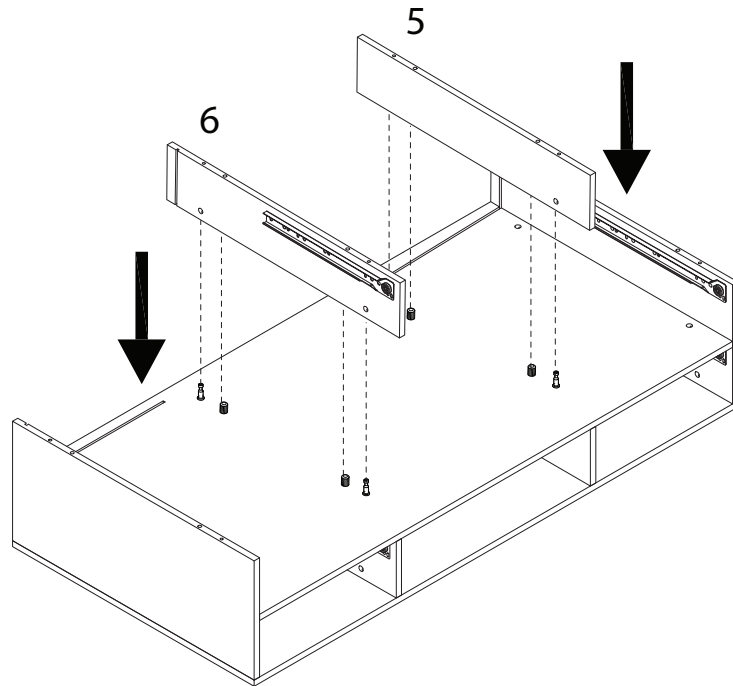
26

A
x 4

C
x 4



27

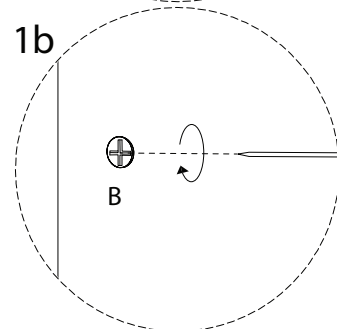
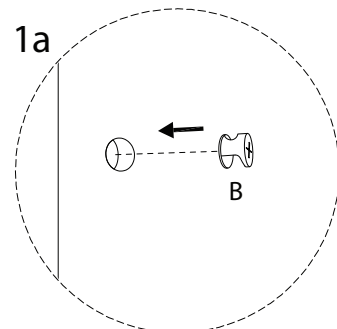
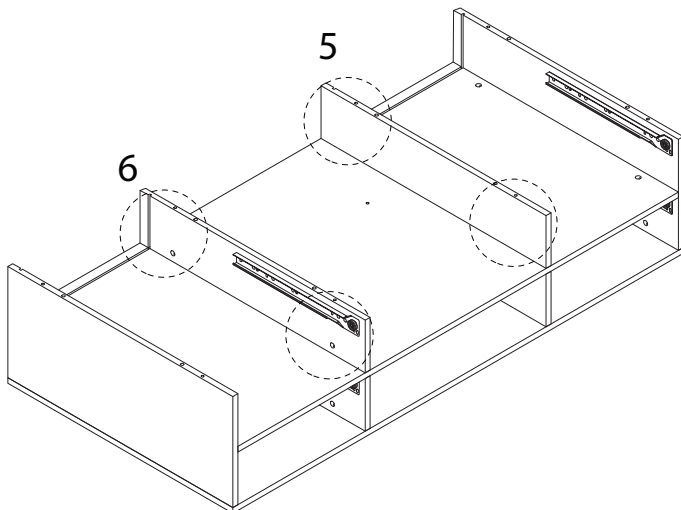


28

B

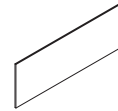


x 4

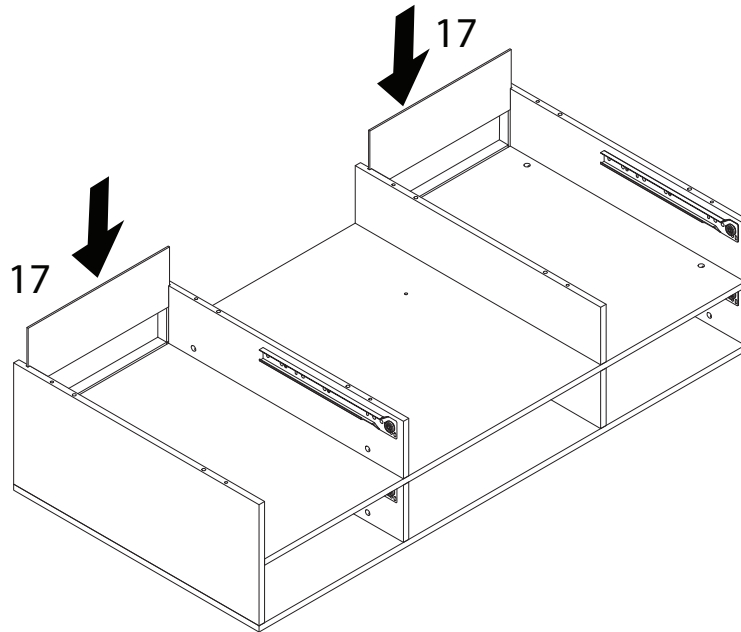


29

17



x 2

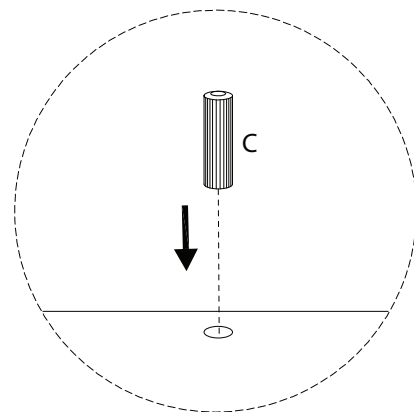
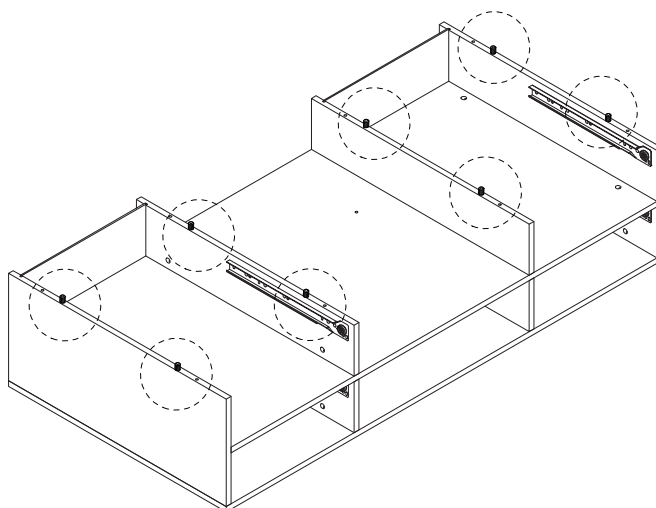


30

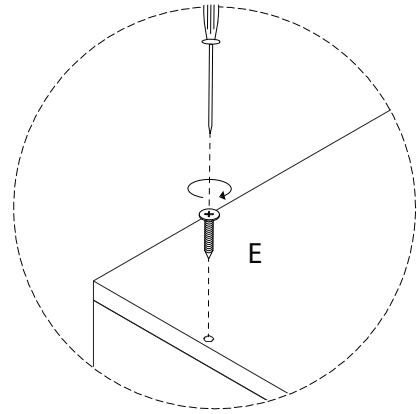
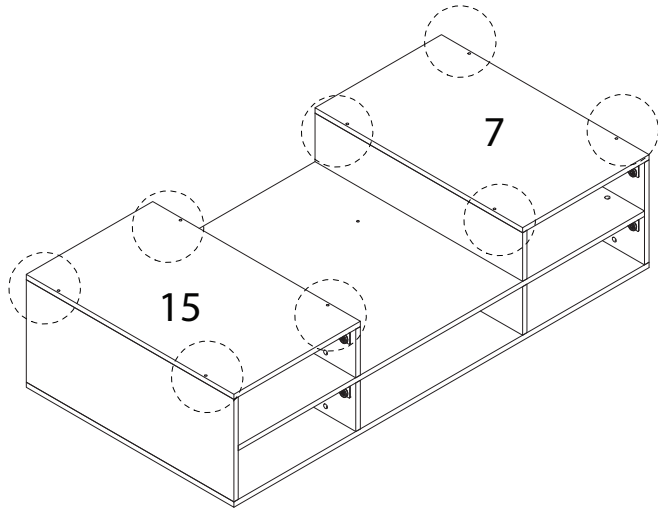
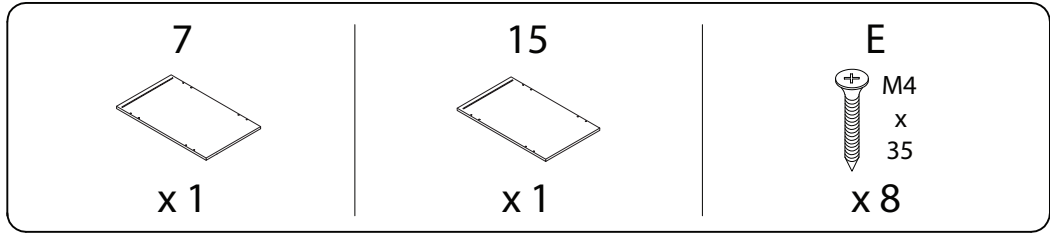
C



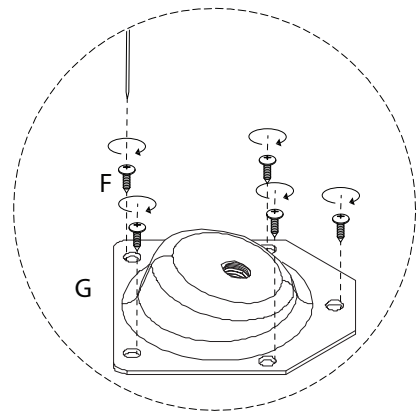
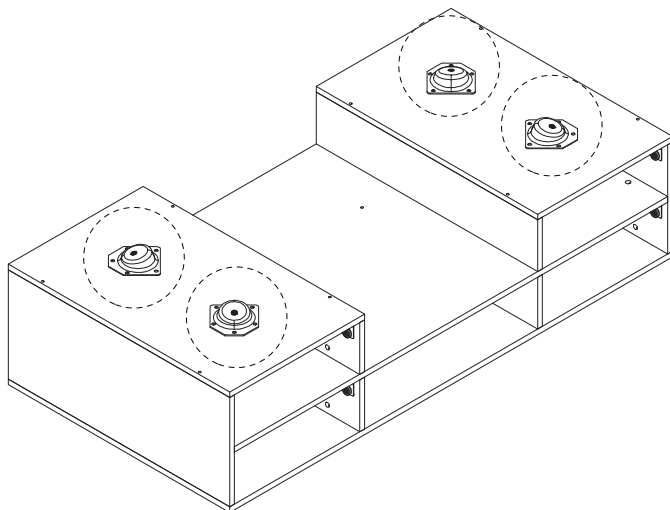
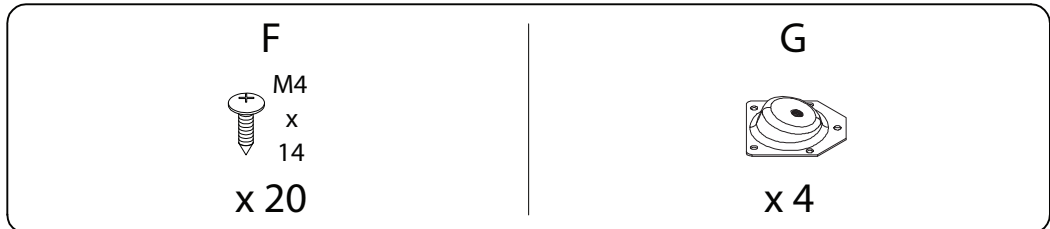
x 8



31

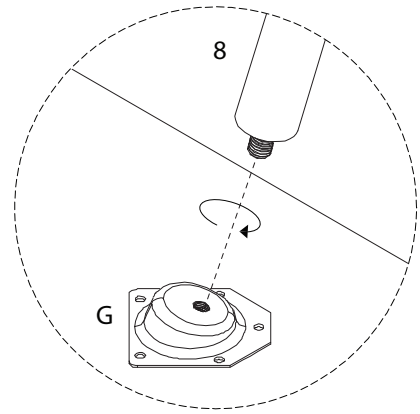
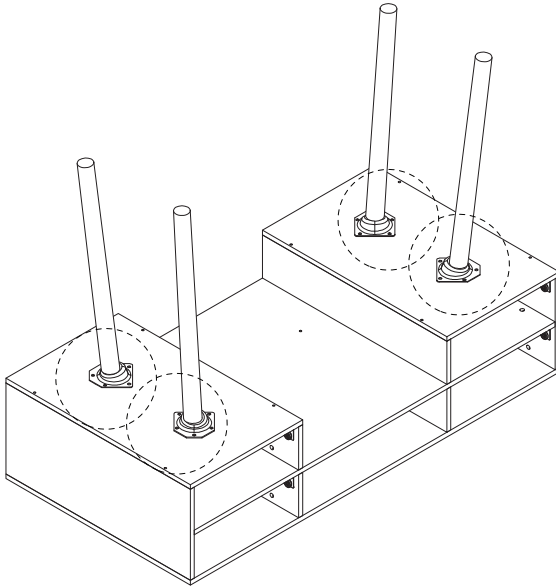


32

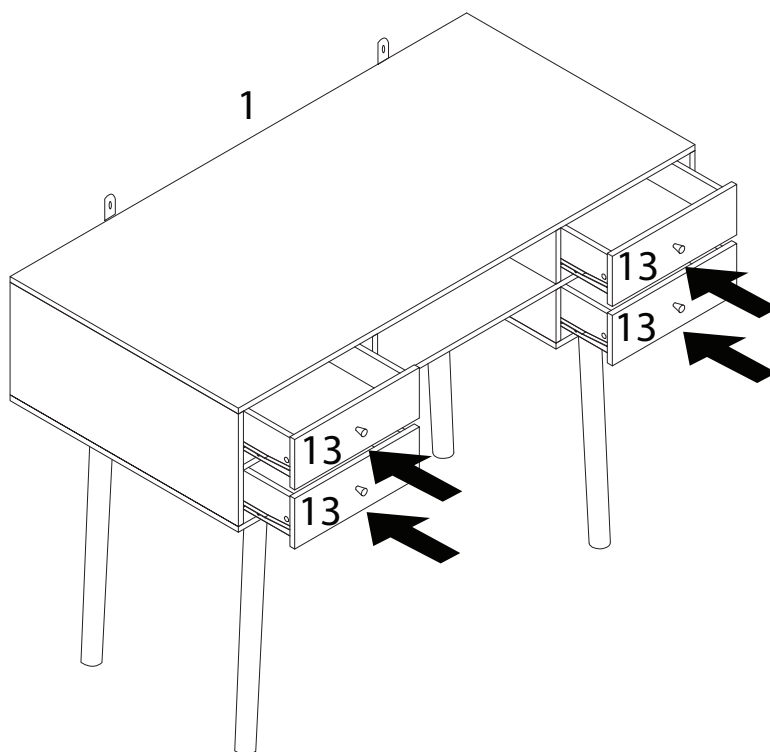


33

8
x 4



34



35

E
M4
x
35
x 2

O
x 2

