

Assembly instructions for the chair, including tool requirements, time, and person count.

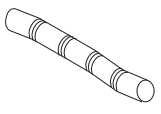
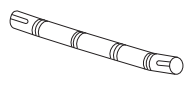
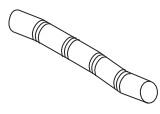
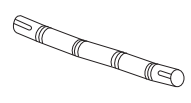
**Tools:** A circular icon shows a screwdriver and a power drill with a diagonal line through it, indicating that a power drill is not required. A warning triangle is positioned to the right of this icon.

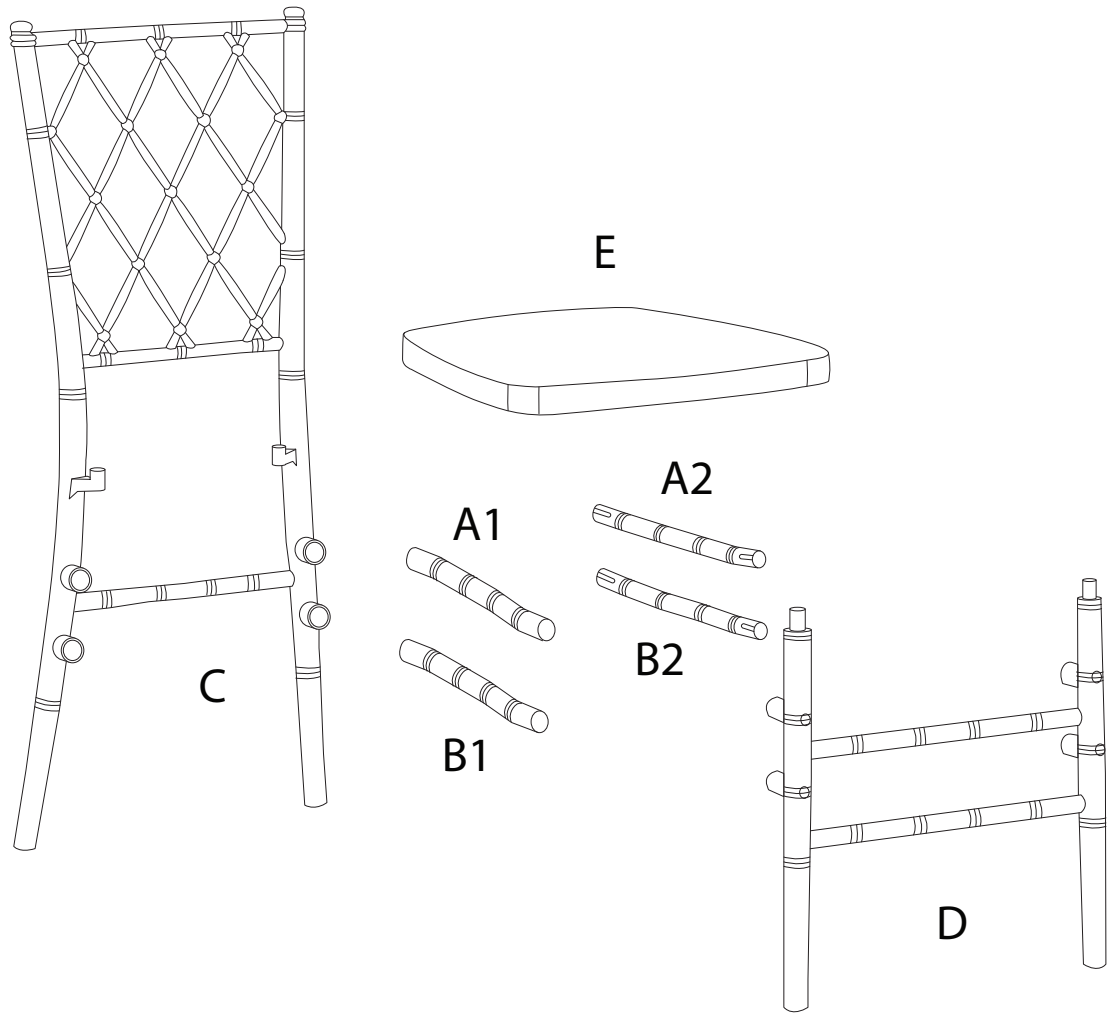
**Time:** A clock icon is shown with the number **15'** below it, indicating the estimated assembly time.

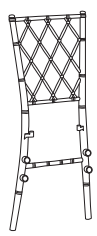
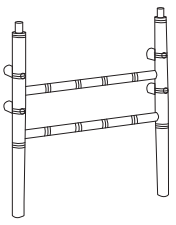

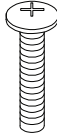
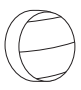
**Personnel:** A person icon is shown with the number **1** below it, indicating that one person is required for assembly.

**Assembly Step:** A circular icon shows a rectangular block being placed on a textured surface. To the right, a 3D perspective drawing of the block is shown with a diagonal line through it, indicating that the block should not be placed on the textured surface. A warning triangle is positioned above this icon.

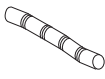
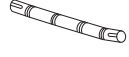
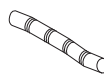
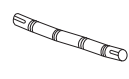
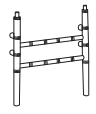
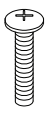
**Page Number:** The fraction **1/5** is located at the bottom center of the page.

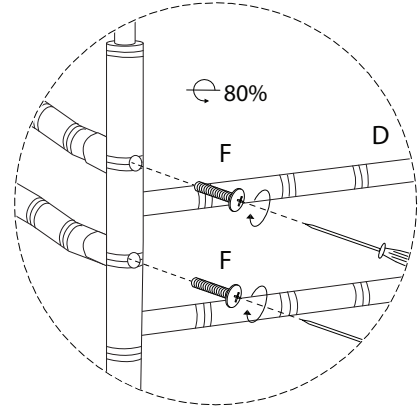
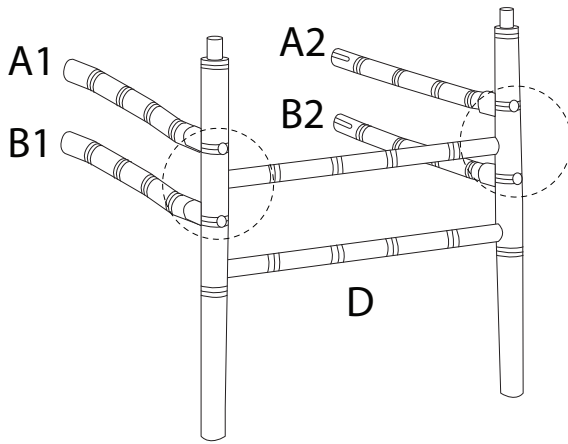
<b>A1</b>	<b>A2</b>	<b>B1</b>	<b>B2</b>
			
<b>x 1</b>	<b>x 1</b>	<b>x 1</b>	<b>x 1</b>




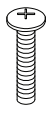
<b>C</b>	<b>D</b>	<b>E</b>	<b>F</b>	<b>G</b>
			 M6 x 25	
<b>x 1</b>	<b>x 1</b>	<b>x 1</b>	<b>x 10</b>	<b>x 8</b>

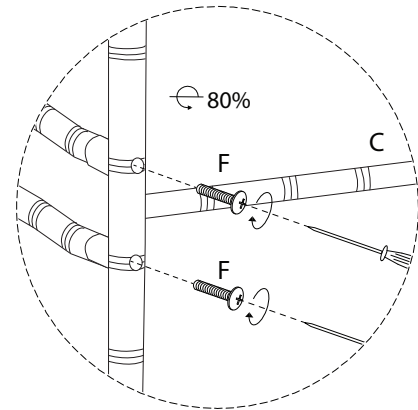
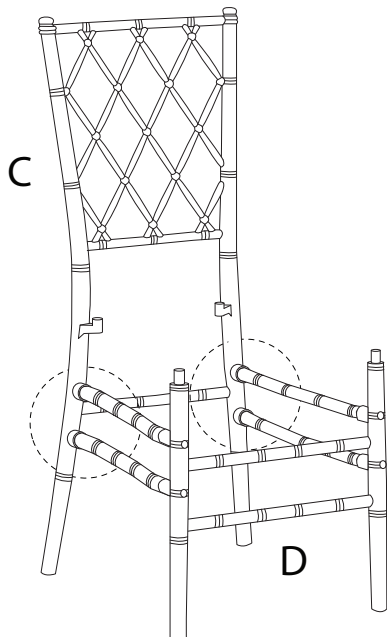
1

<b>A1</b>  x 1	<b>A2</b>  x 1	<b>B1</b>  x 1	<b>B2</b>  x 1	<b>D</b>  x 1	<b>F</b>  M6 x 25 x 4
---	---	---	--	--	--



2

<b>C</b>  x 1	<b>F</b>  M6 x 25 x 4
--	--



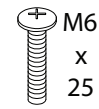
3

E

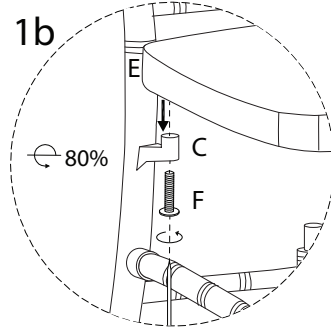
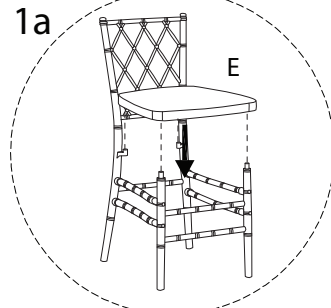
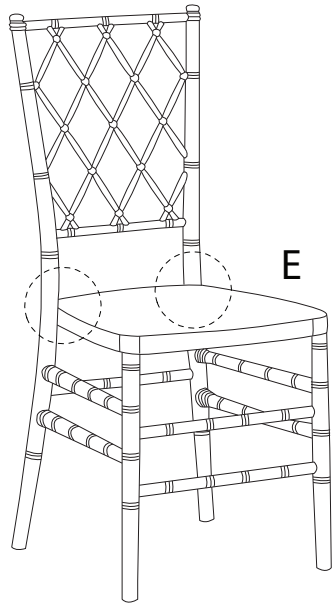


x 1

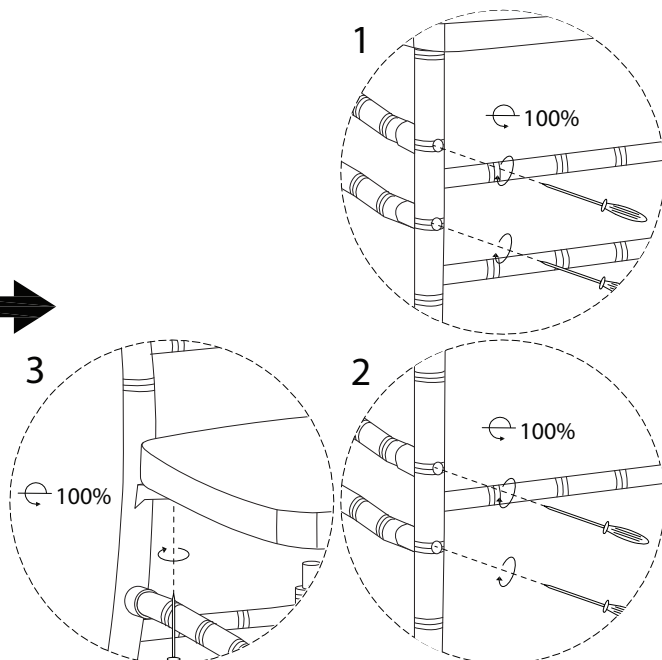
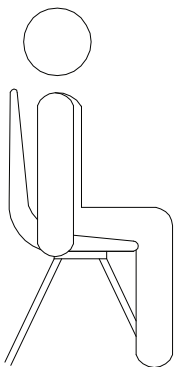
F



x 2



4



5

G



x 8

