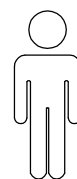
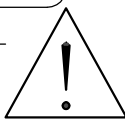
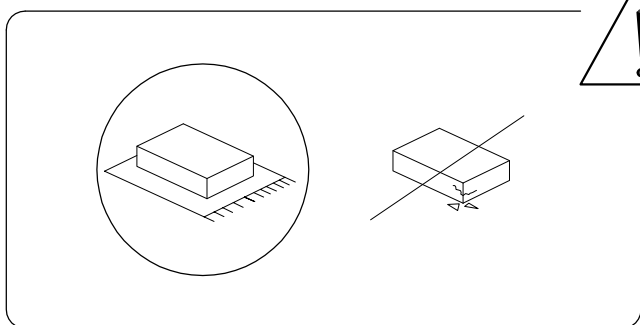
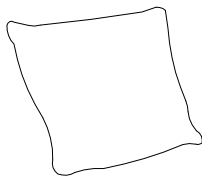
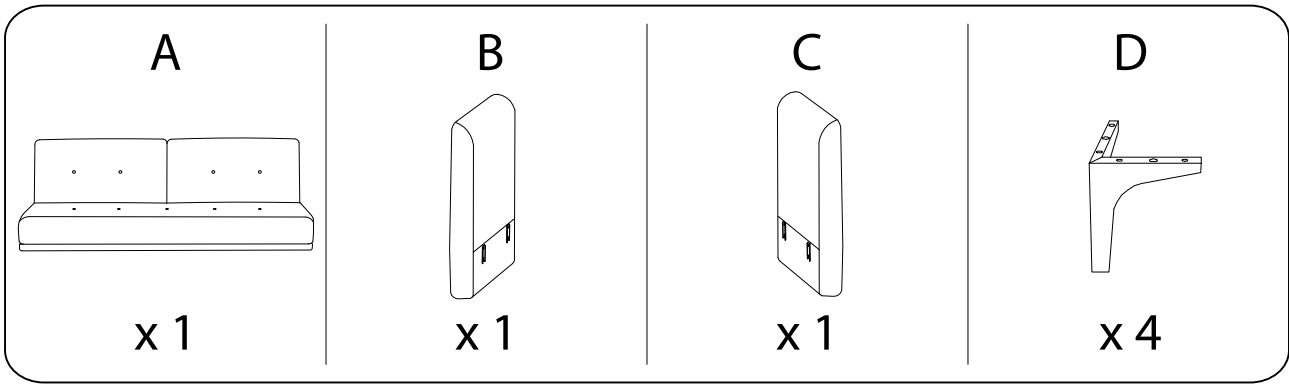


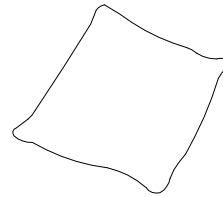
20'



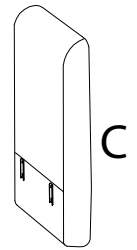
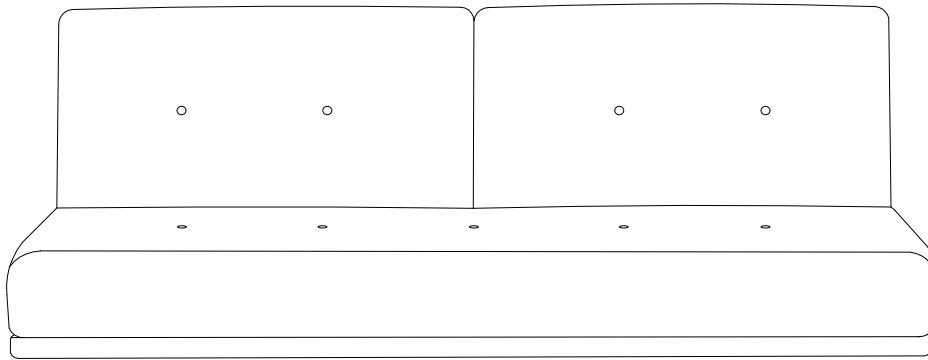
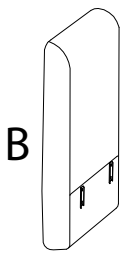
2



F x 2



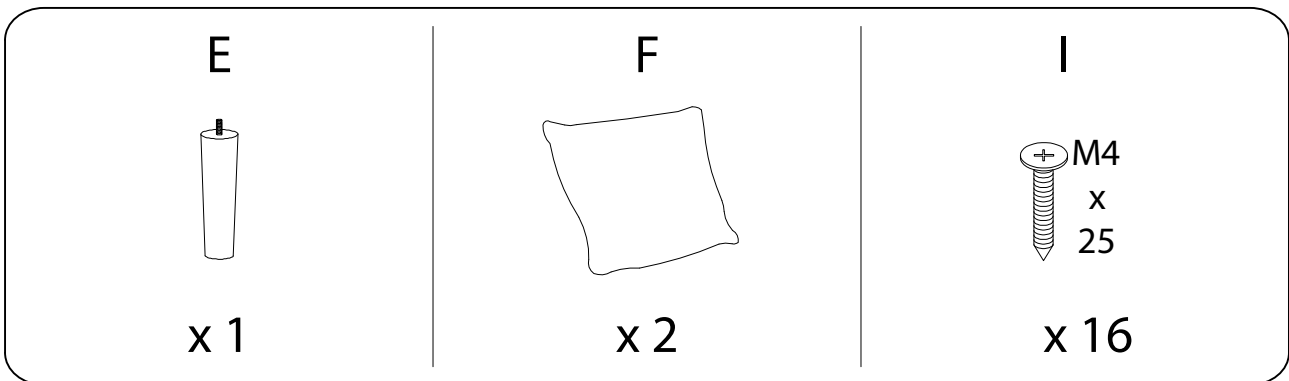
A

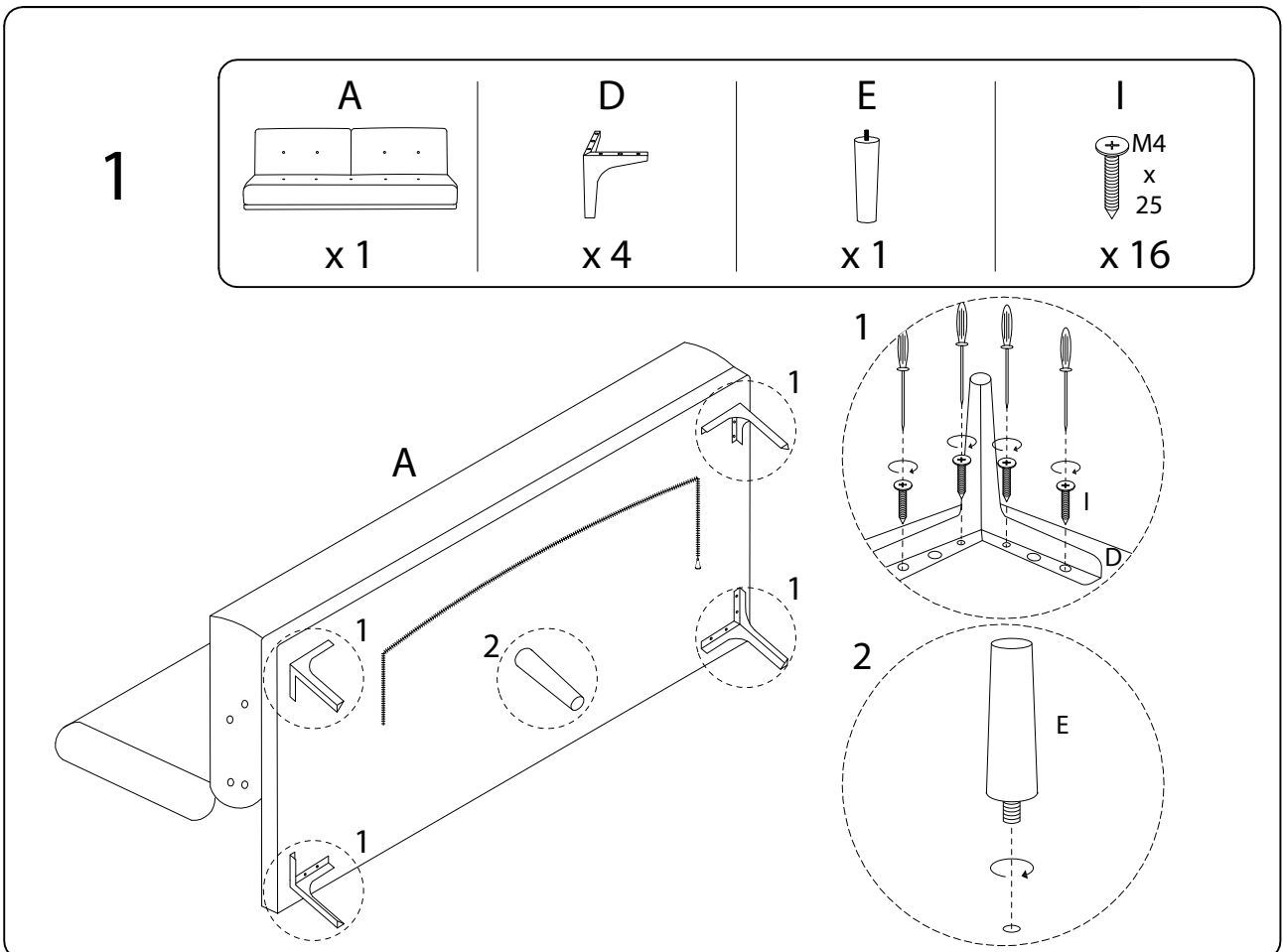
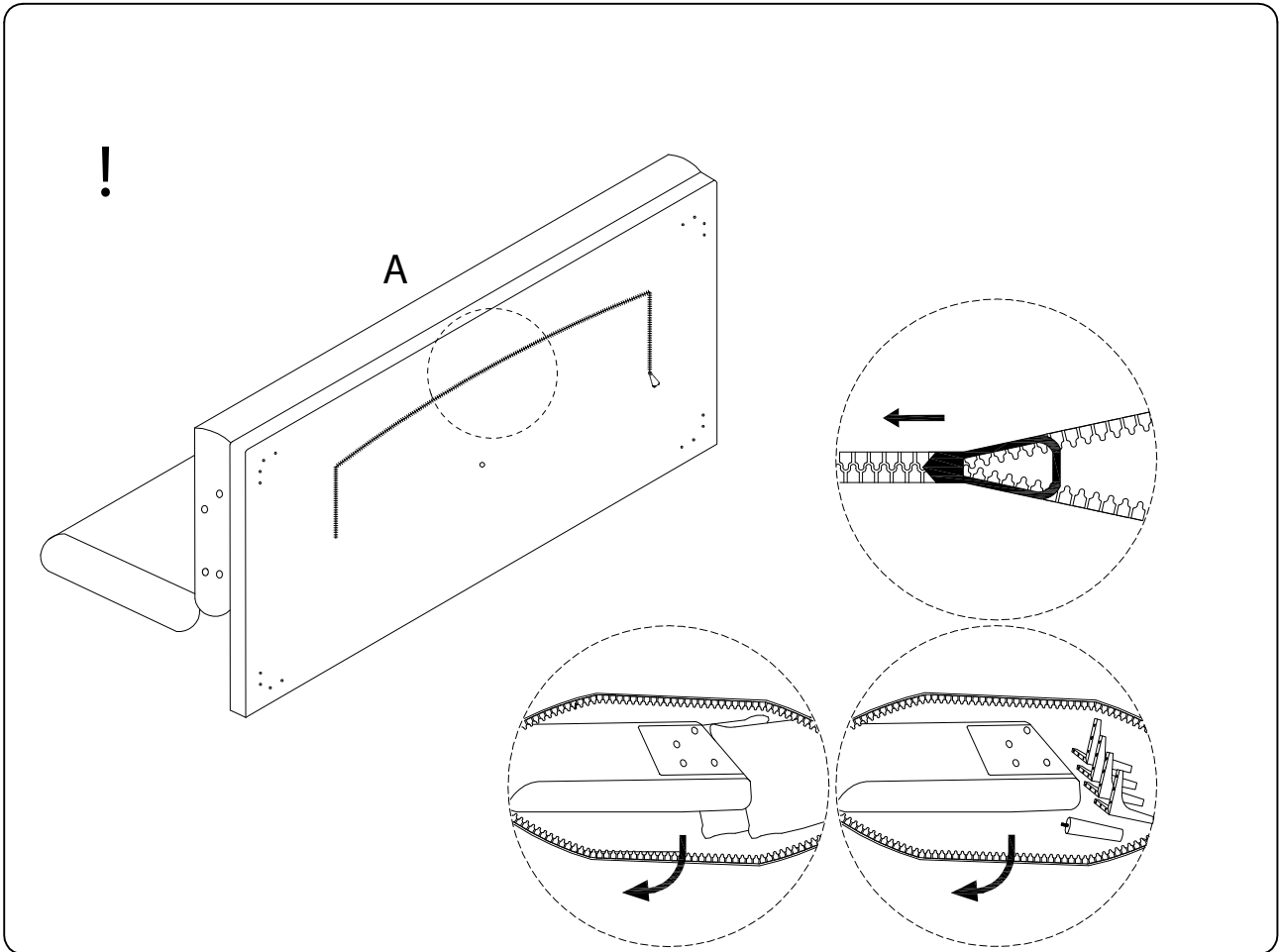


D x 4



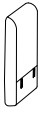
E





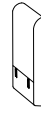
2

B

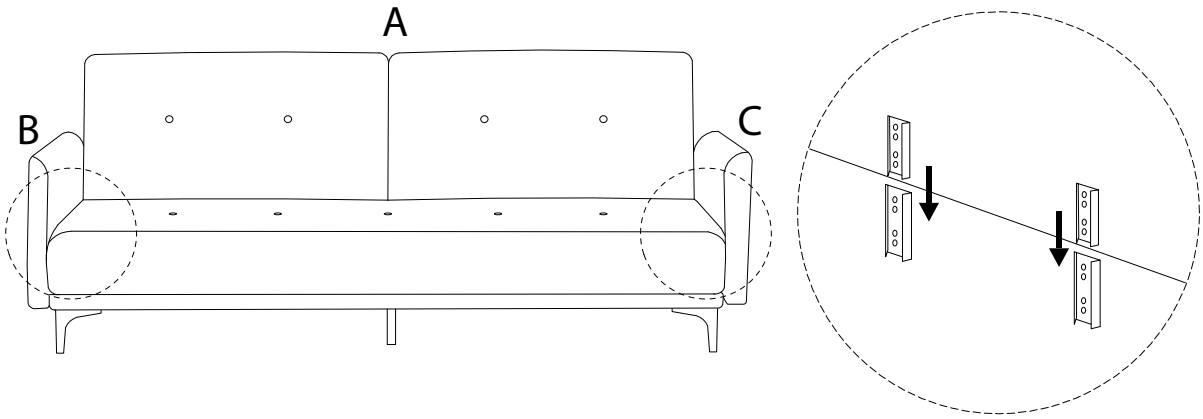


x 1

C



x 1

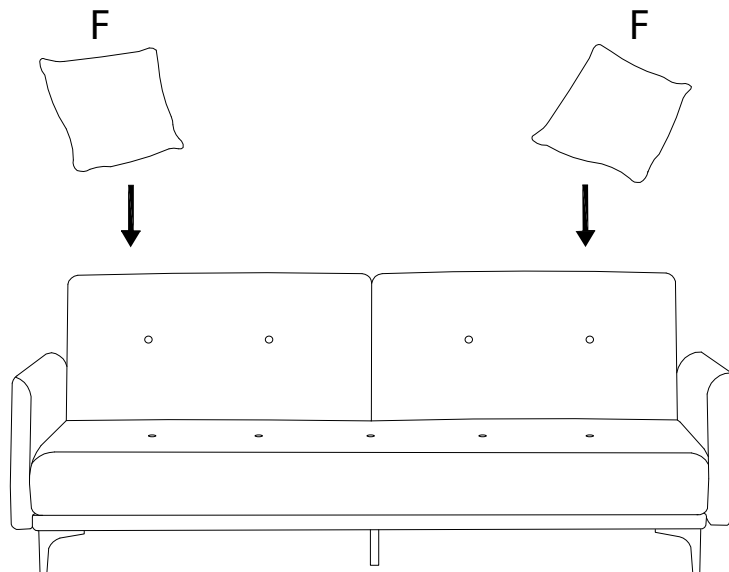


3

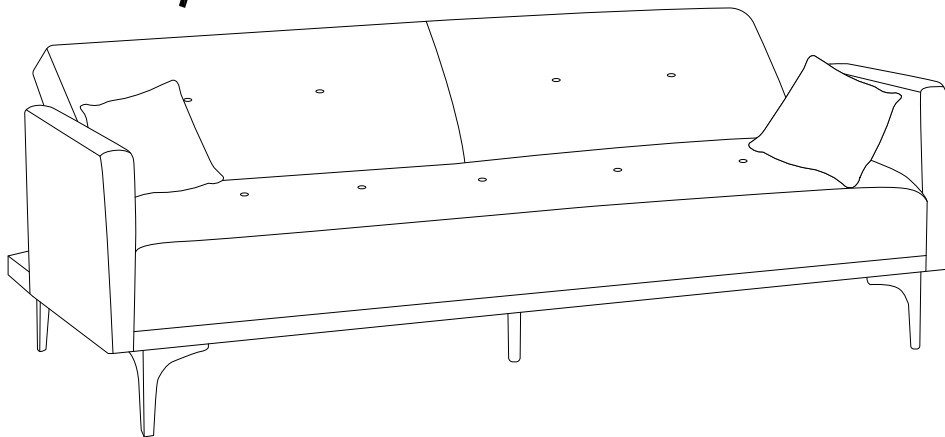
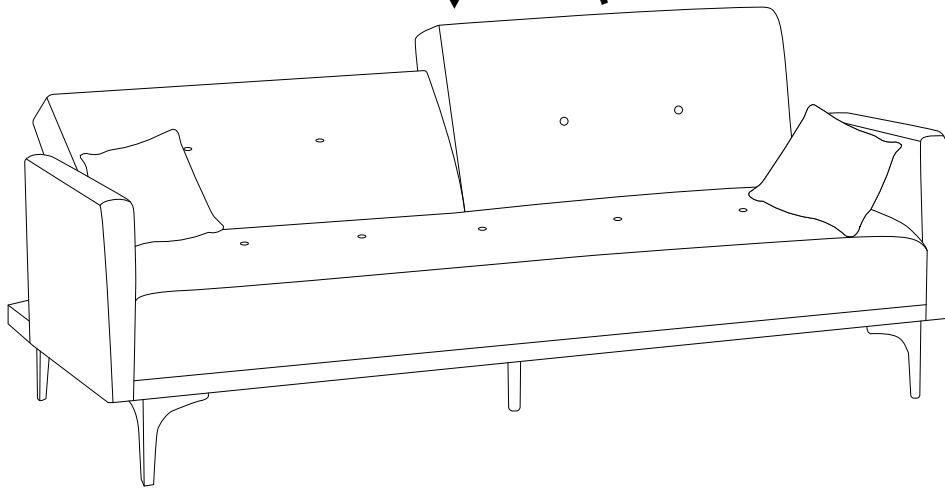
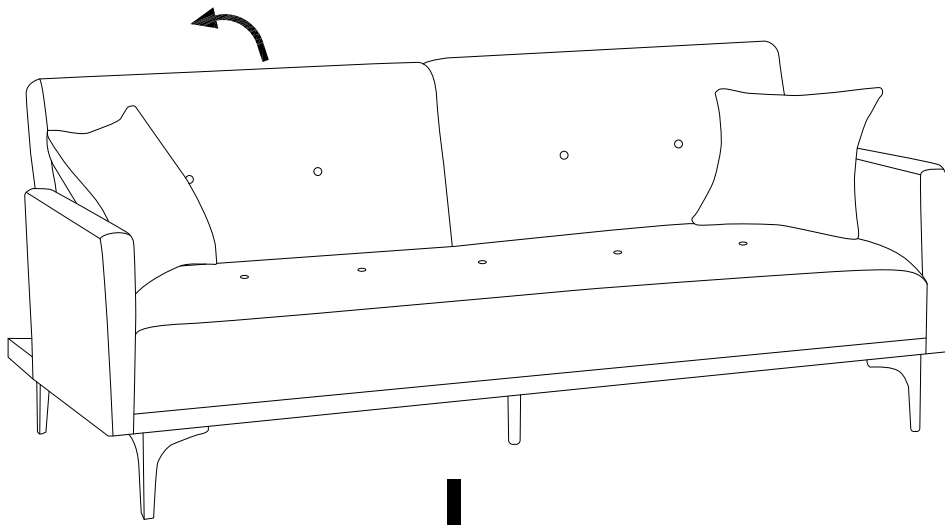
F



x 2



4



5

