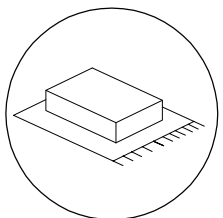
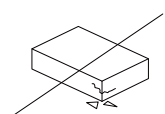


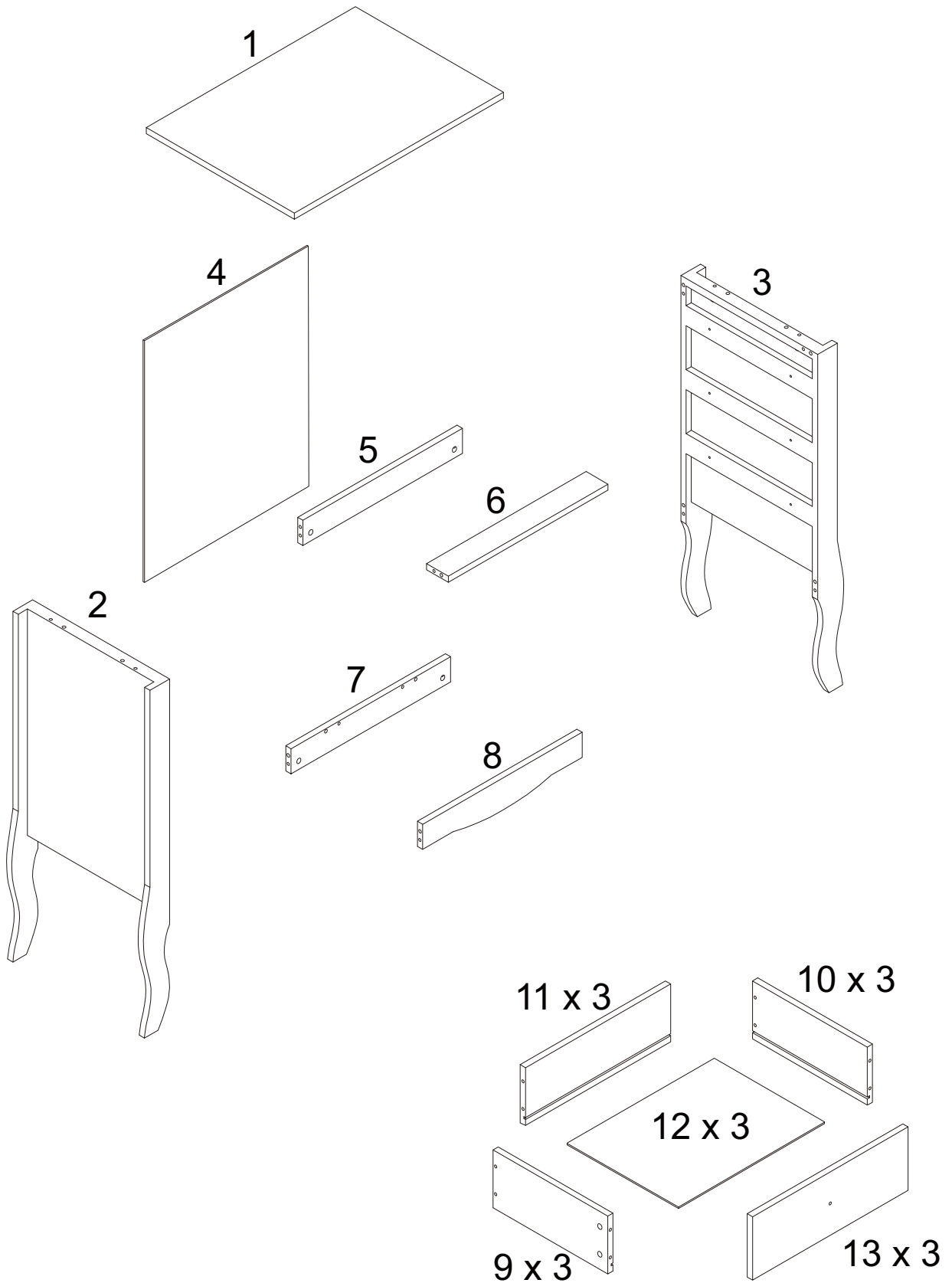
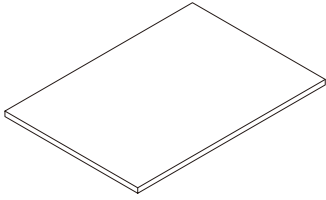

		40'
 		
		1

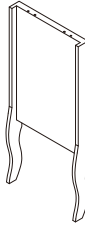


1



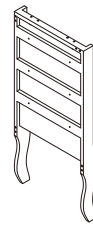
x 1

2



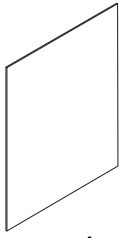
x 1

3



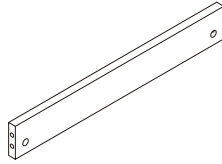
x 1

4



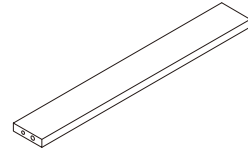
x 1

5



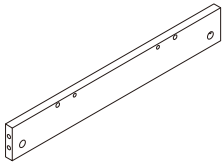
x 1

6



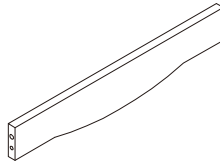
x 1

7



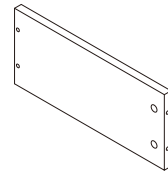
x 1

8



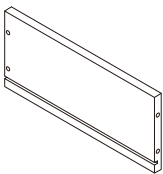
x 1

9



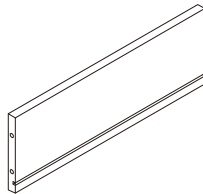
x 3

10



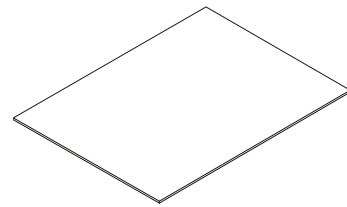
x 3

11



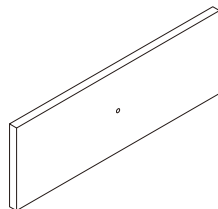
x 3

12



x 3

13



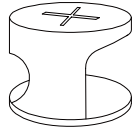
x 3

A



x 24

B



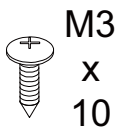
x 24

C



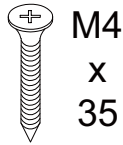
x 12

D



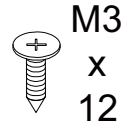
x 16

E



x 12

F



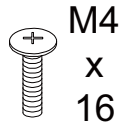
x 24

G



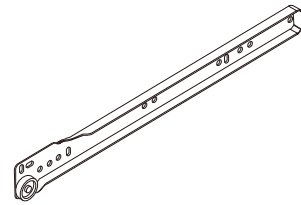
x 3

H



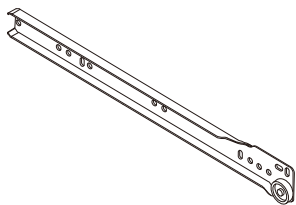
x 3

CL



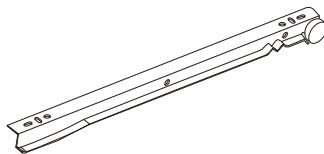
x 3

CR



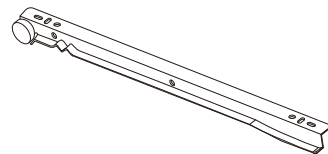
x 3

DL



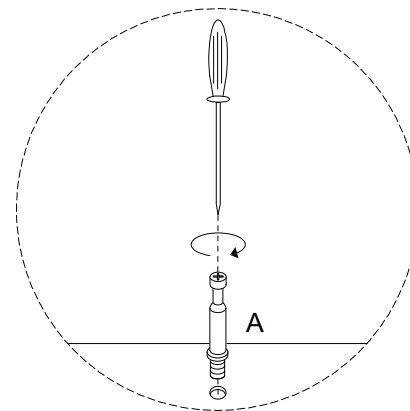
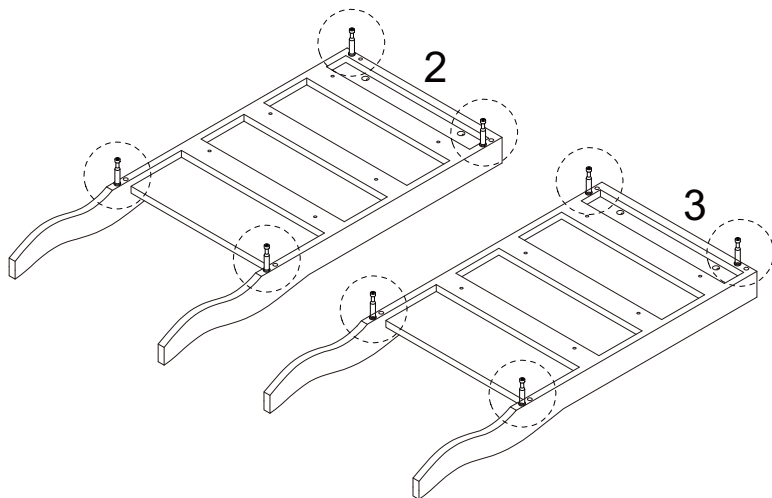
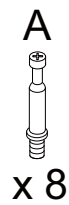
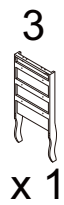
x 3

DR

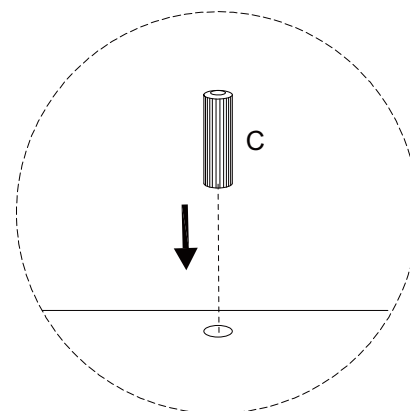
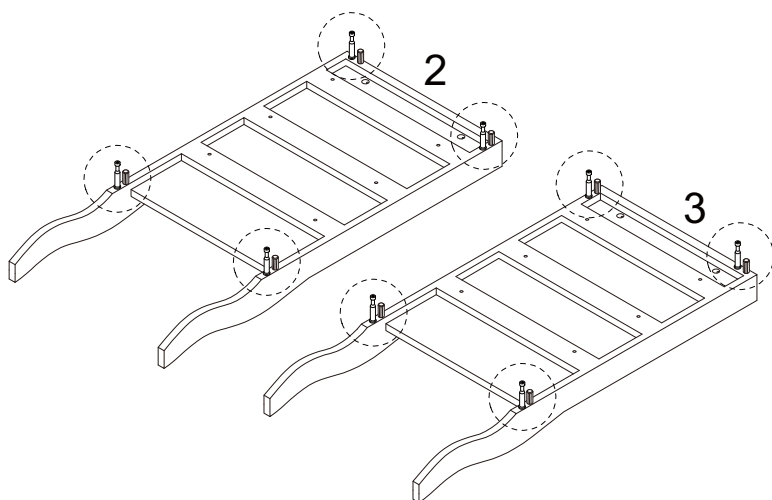
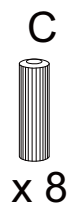


x 3

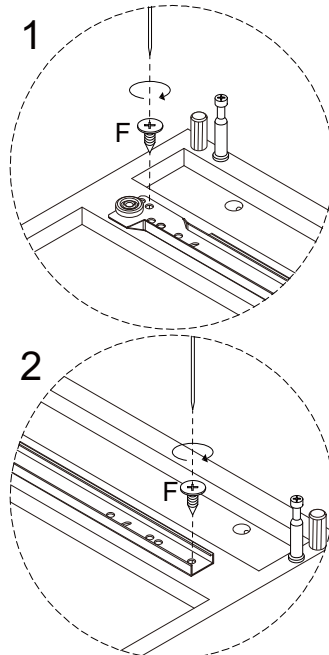
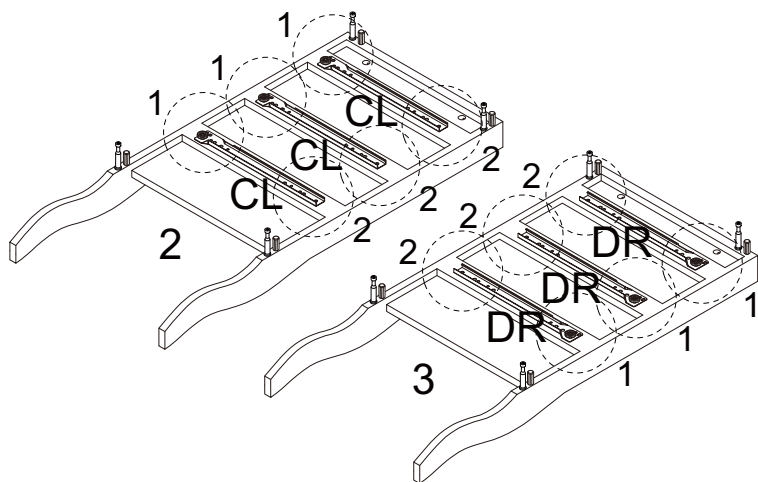
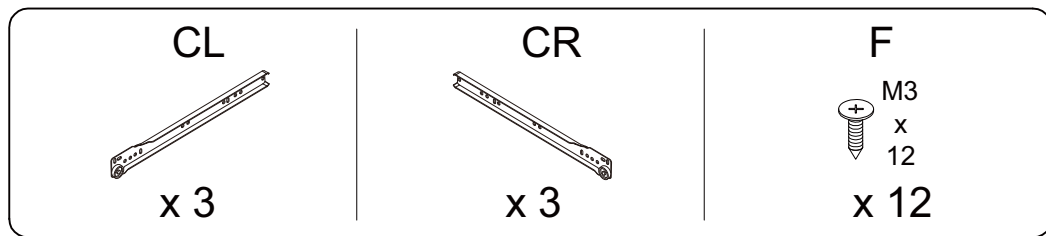
1



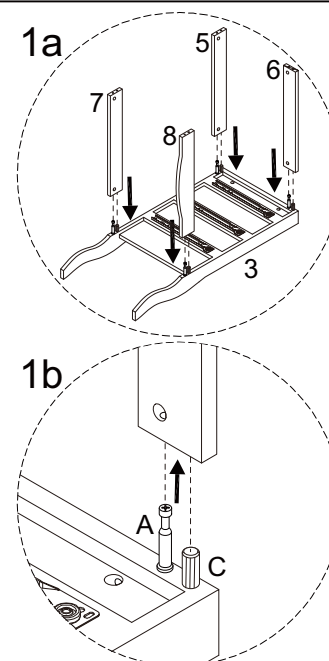
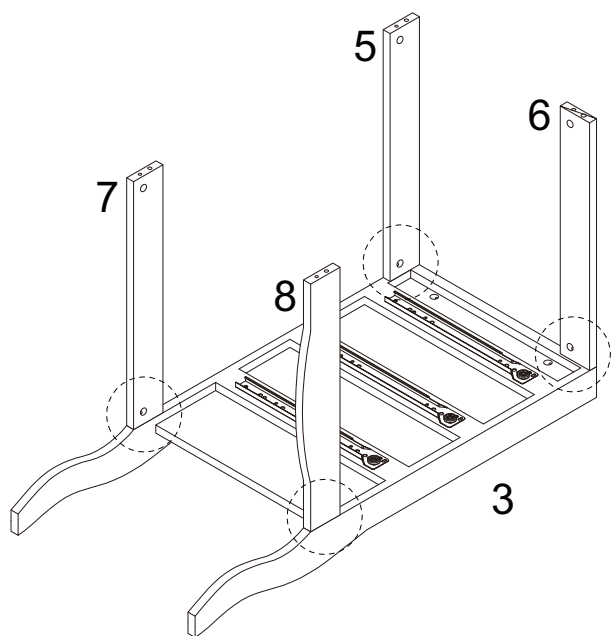
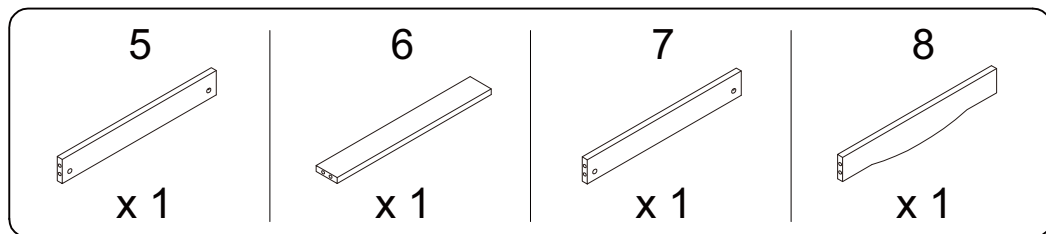
2



3



4

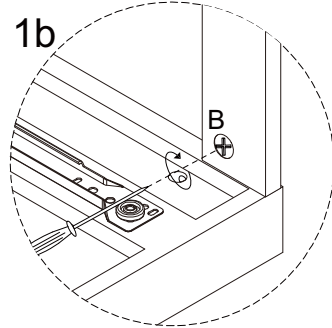
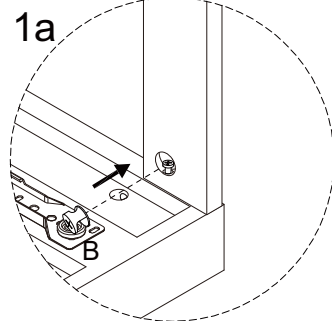
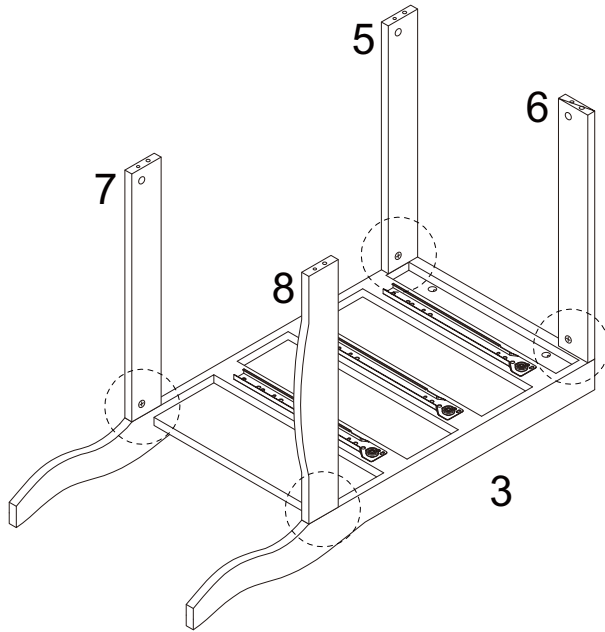


5

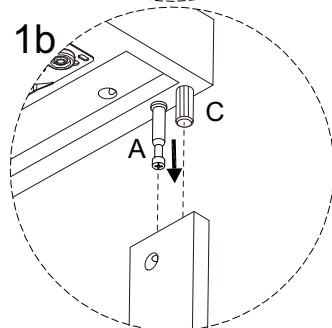
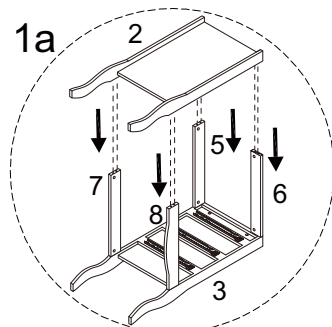
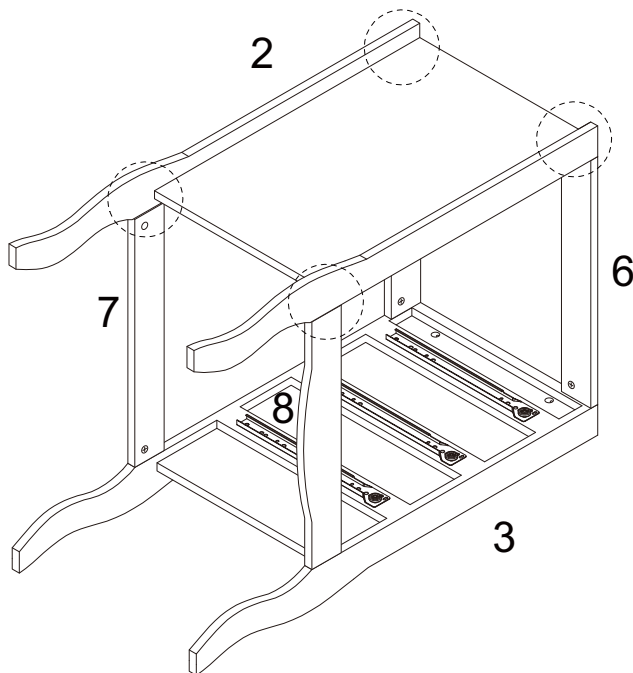
B



x 4



6

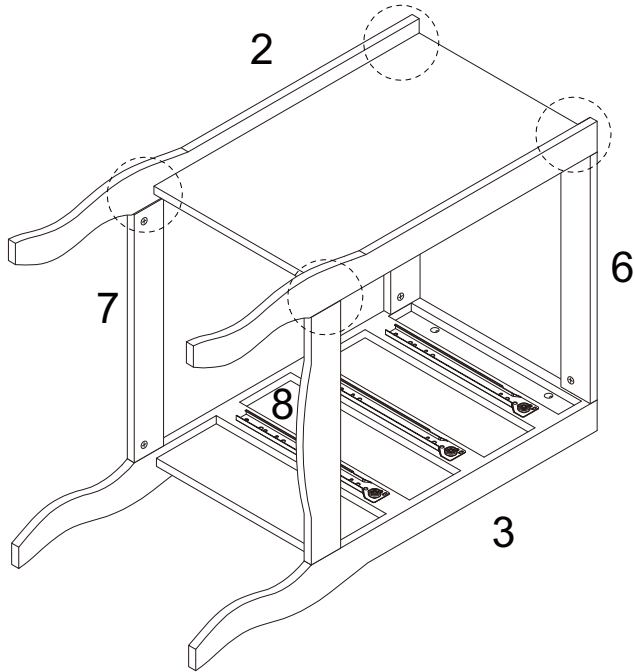


7

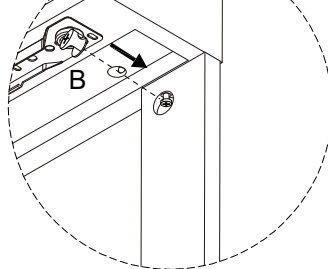
B



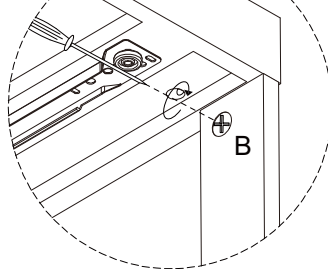
x 4



1a

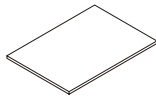


1b



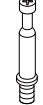
8

1

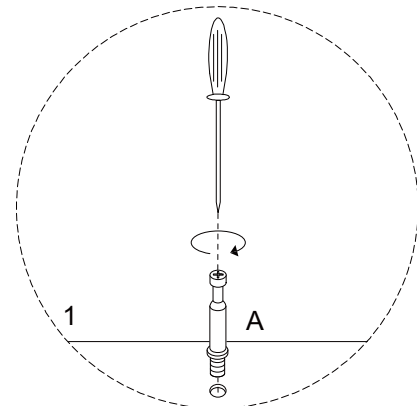
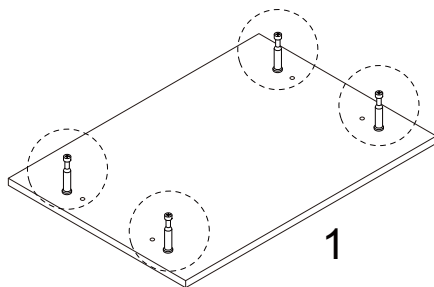


x 1

A

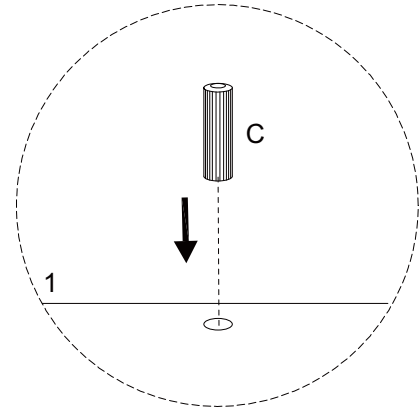
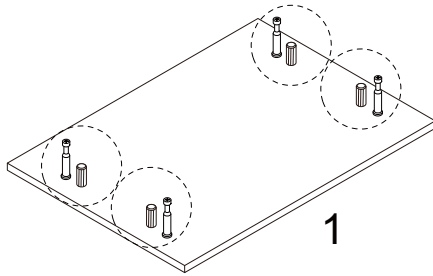


x 4

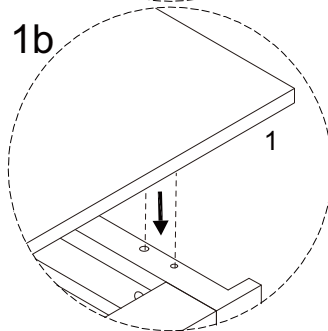
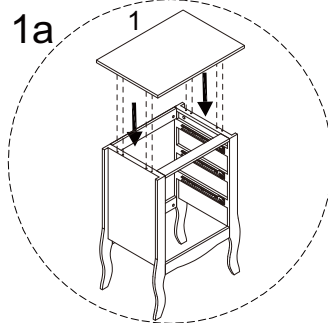
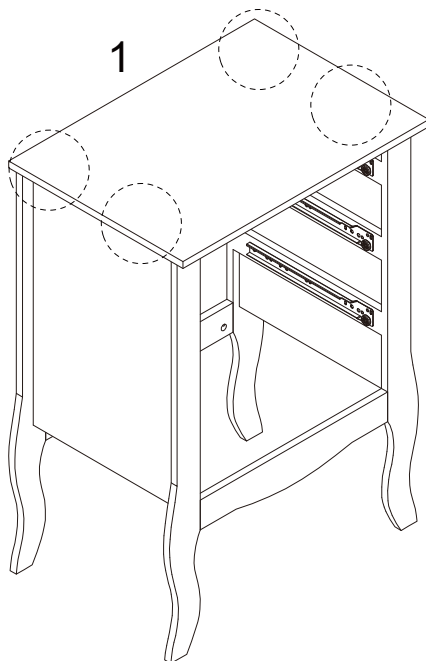


9

C
x 4



10

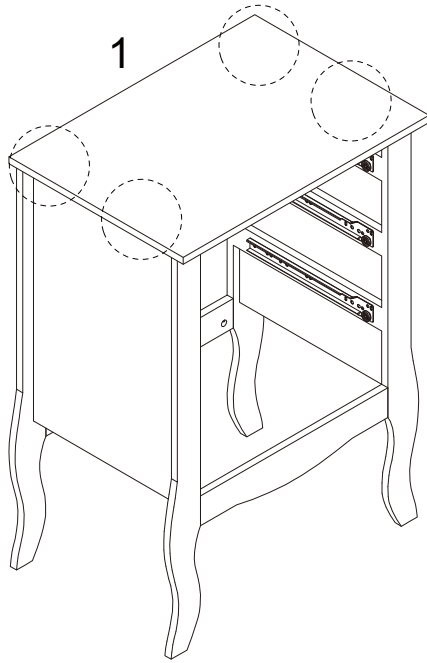


11

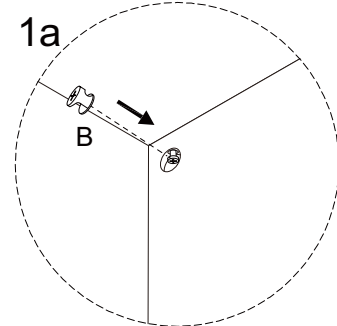
B



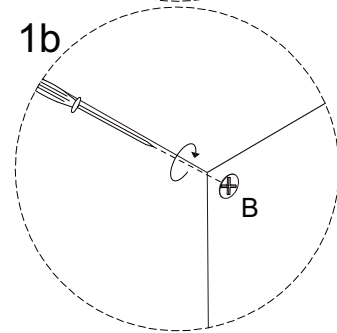
x 4



1a

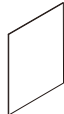


1b



12

4



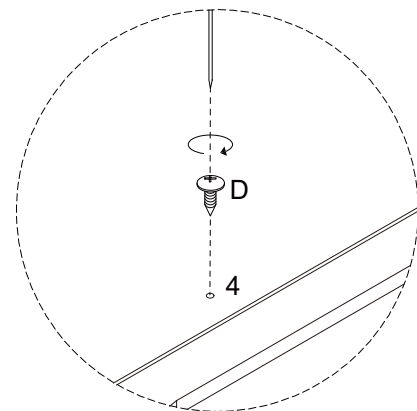
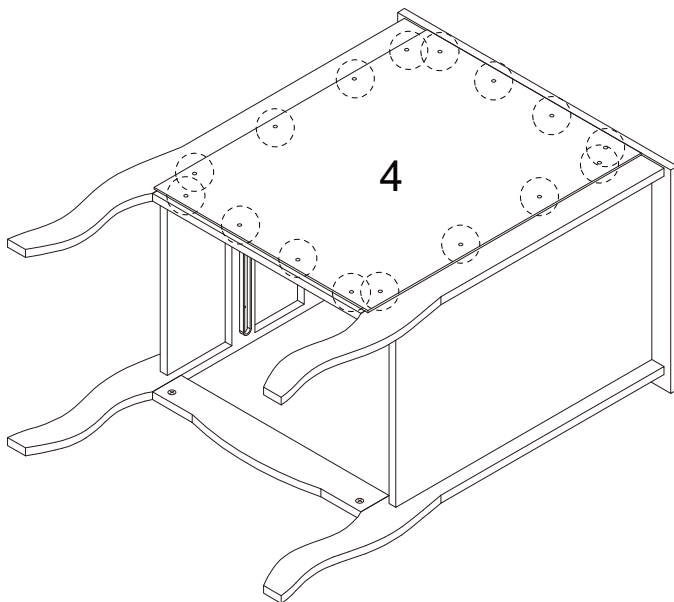
x 1

D

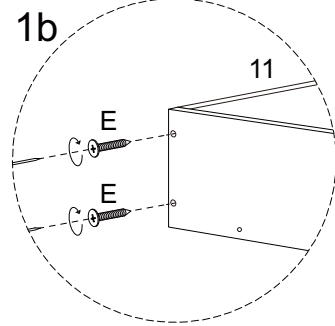
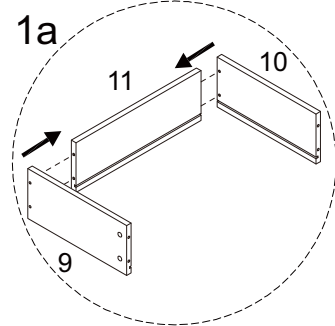
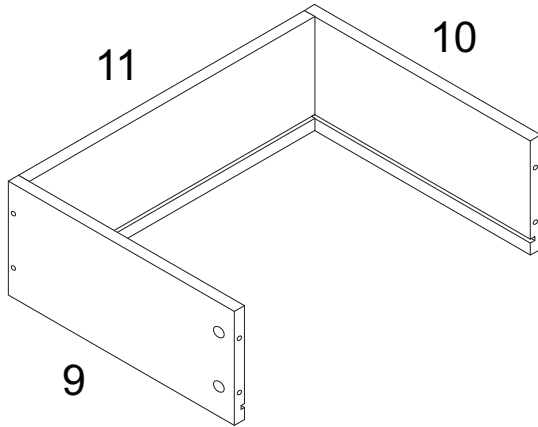
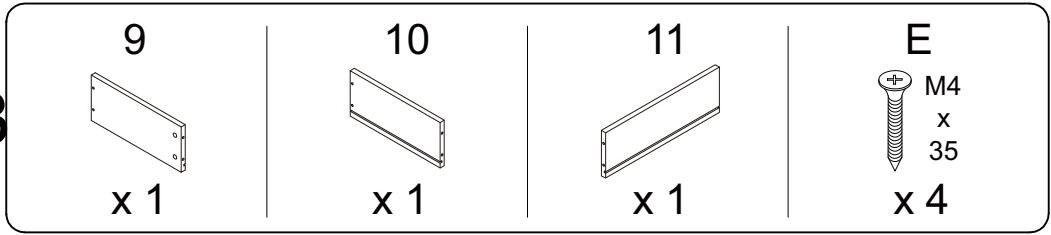


M3
x
10

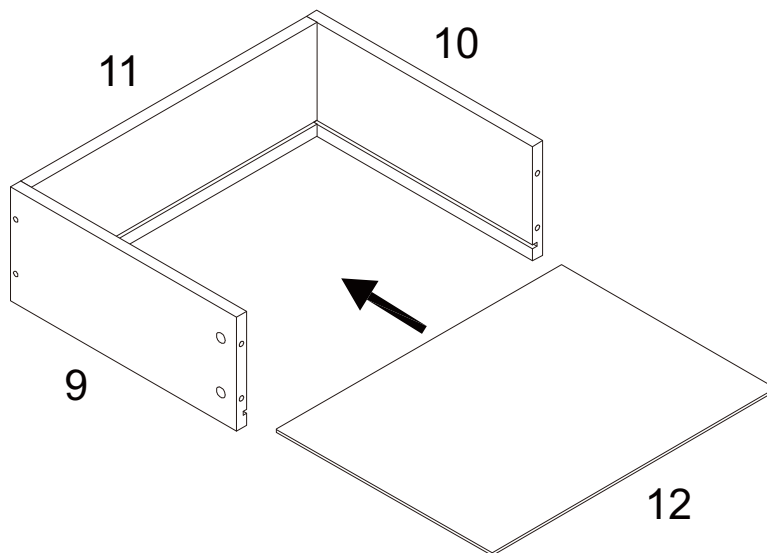
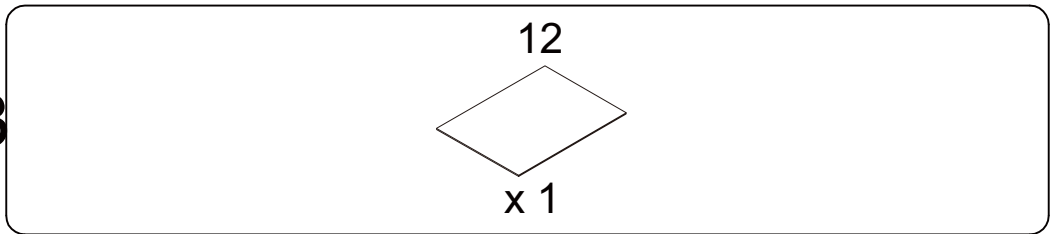
x 16



13 x 3

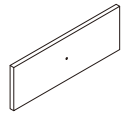


14 x 3



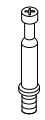
15 x 3

13

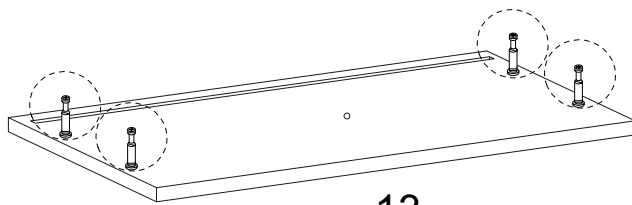


x 1

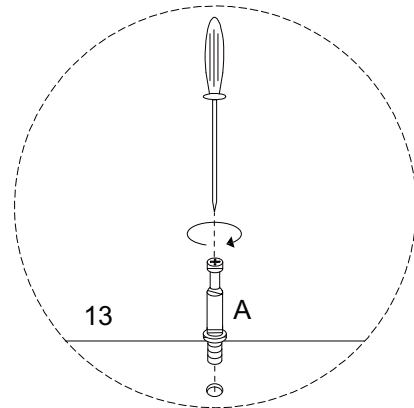
A



x 4



13

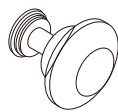


13

A

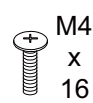
16 x 3

G

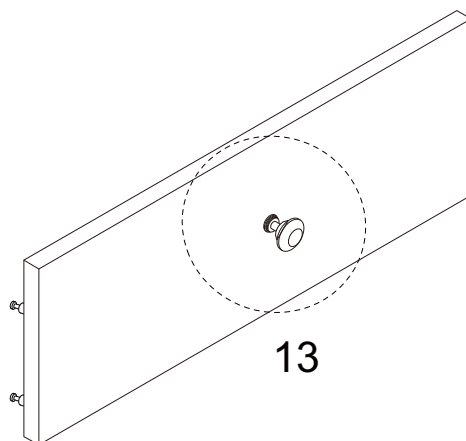


x 1

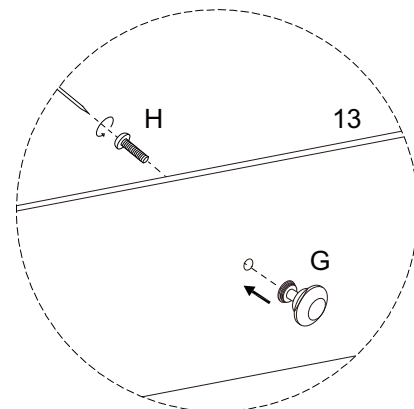
H



x 1



13

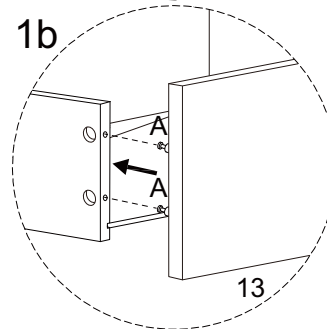
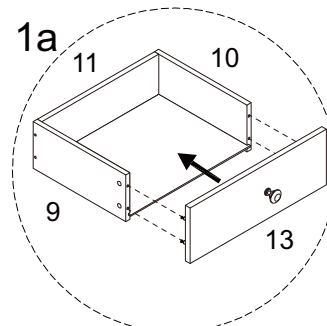
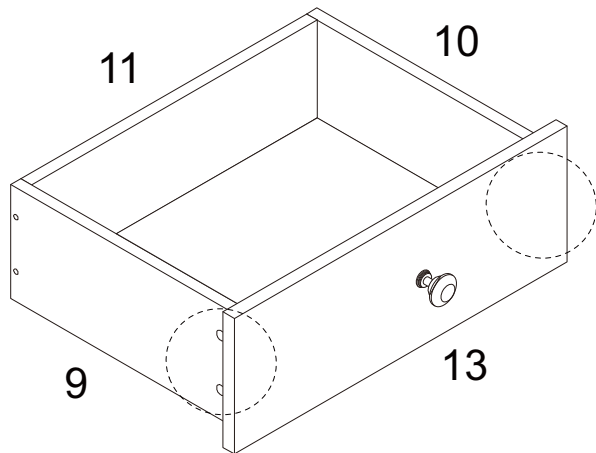


H

13

G

17 x 3

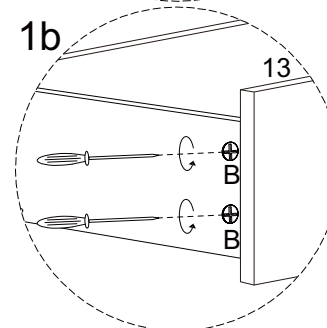
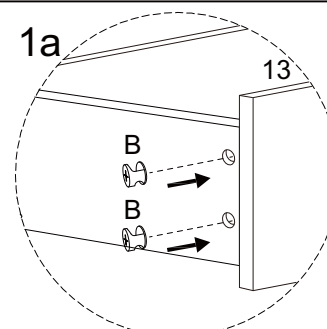
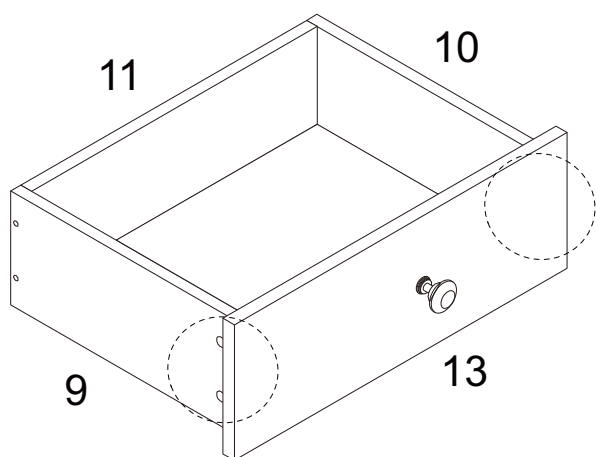


18 x 3

B

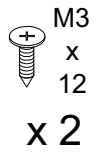


x 4

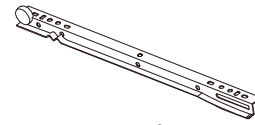


19 x 3

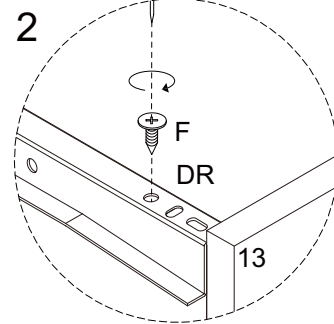
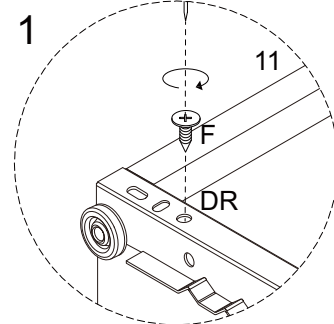
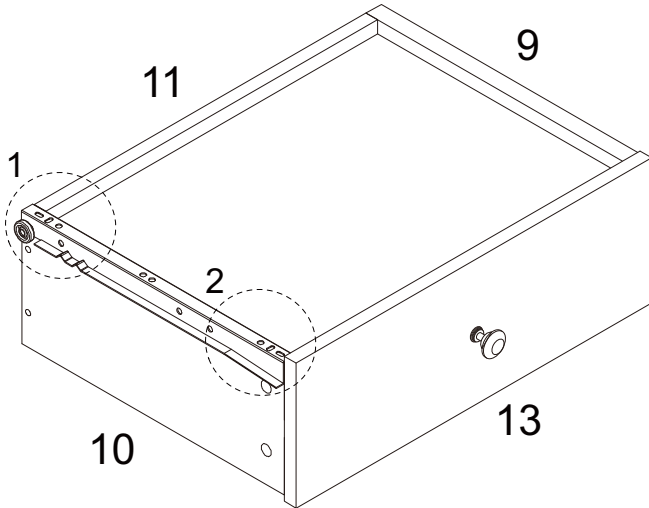
F



DR

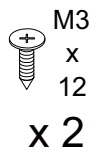


x 1

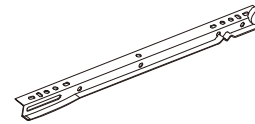


20 x 3

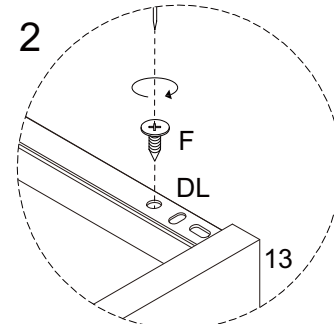
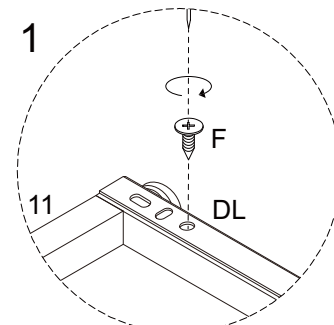
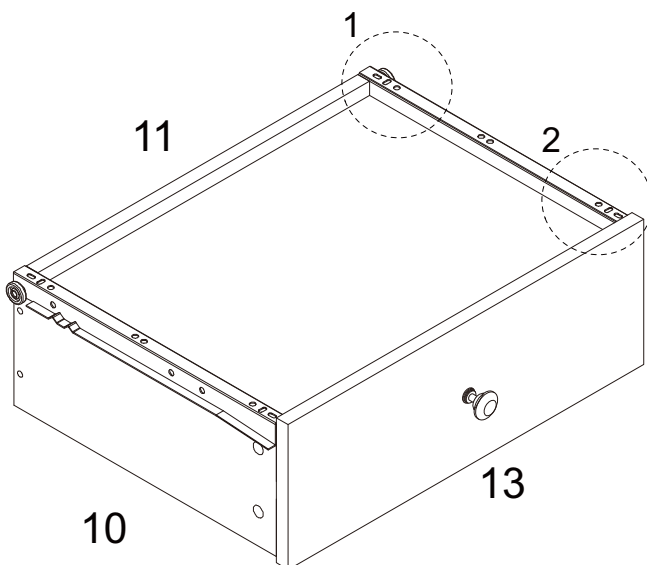
F



DL



x 1



21

