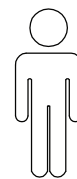
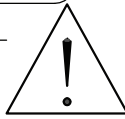
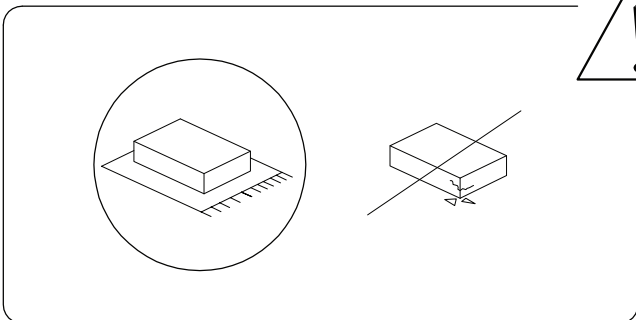


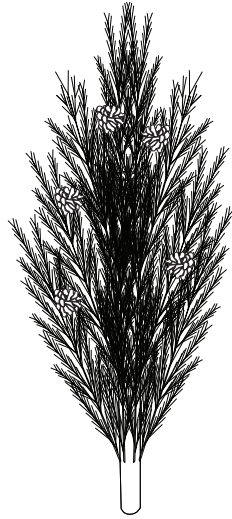
20'



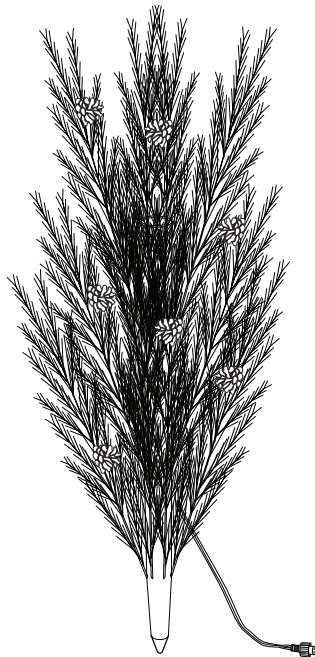
1

1/5

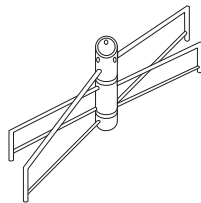
C



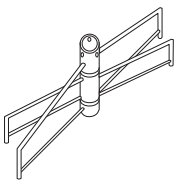
B



A



A



x 1

B



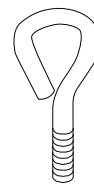
x 1

C



x 1

D



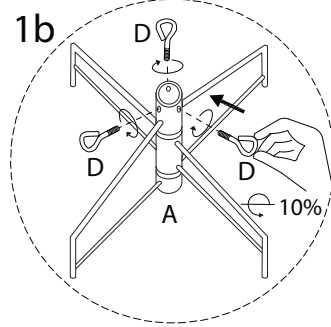
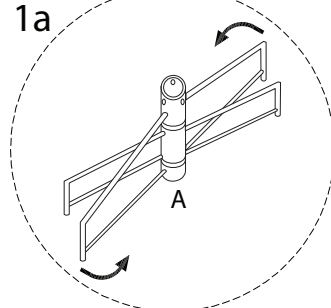
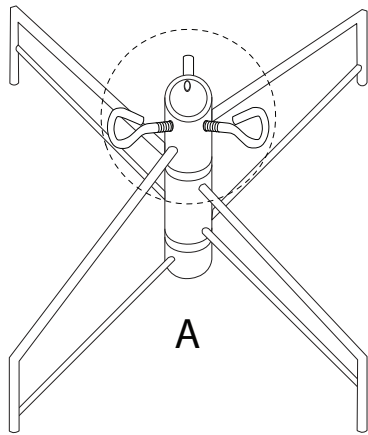
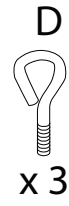
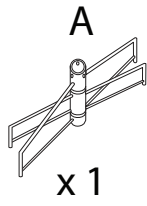
x 3

E

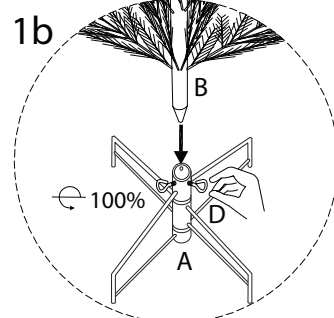
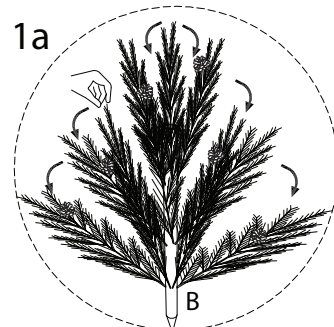
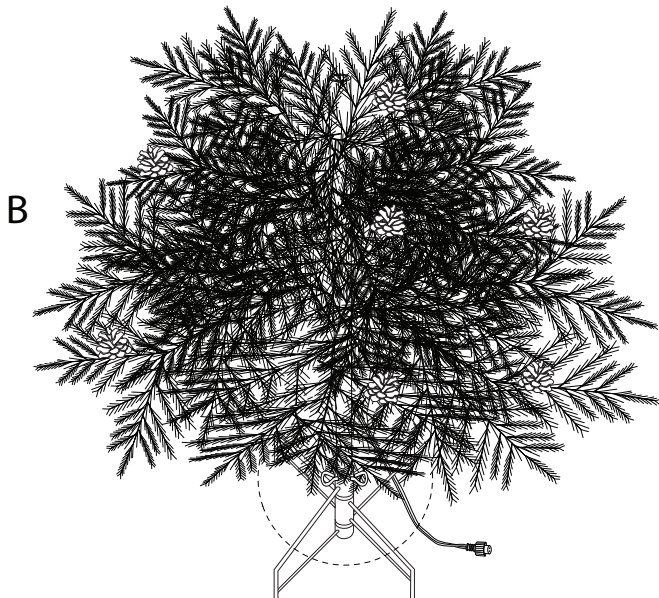


x 1

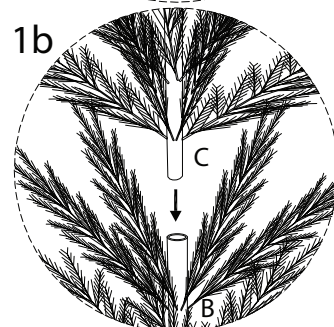
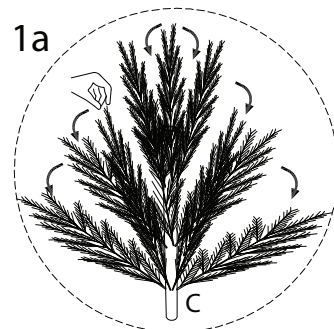
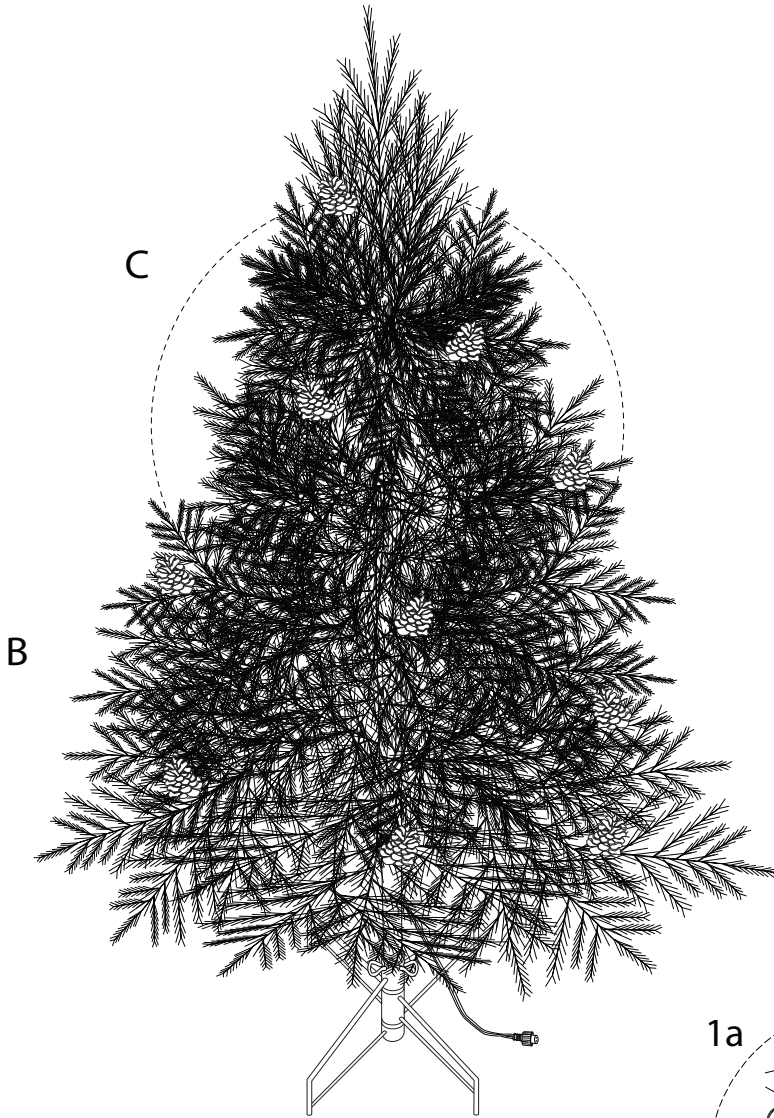
1



2



3





4

