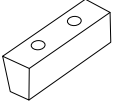
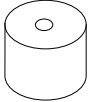
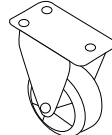
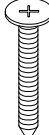
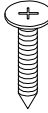
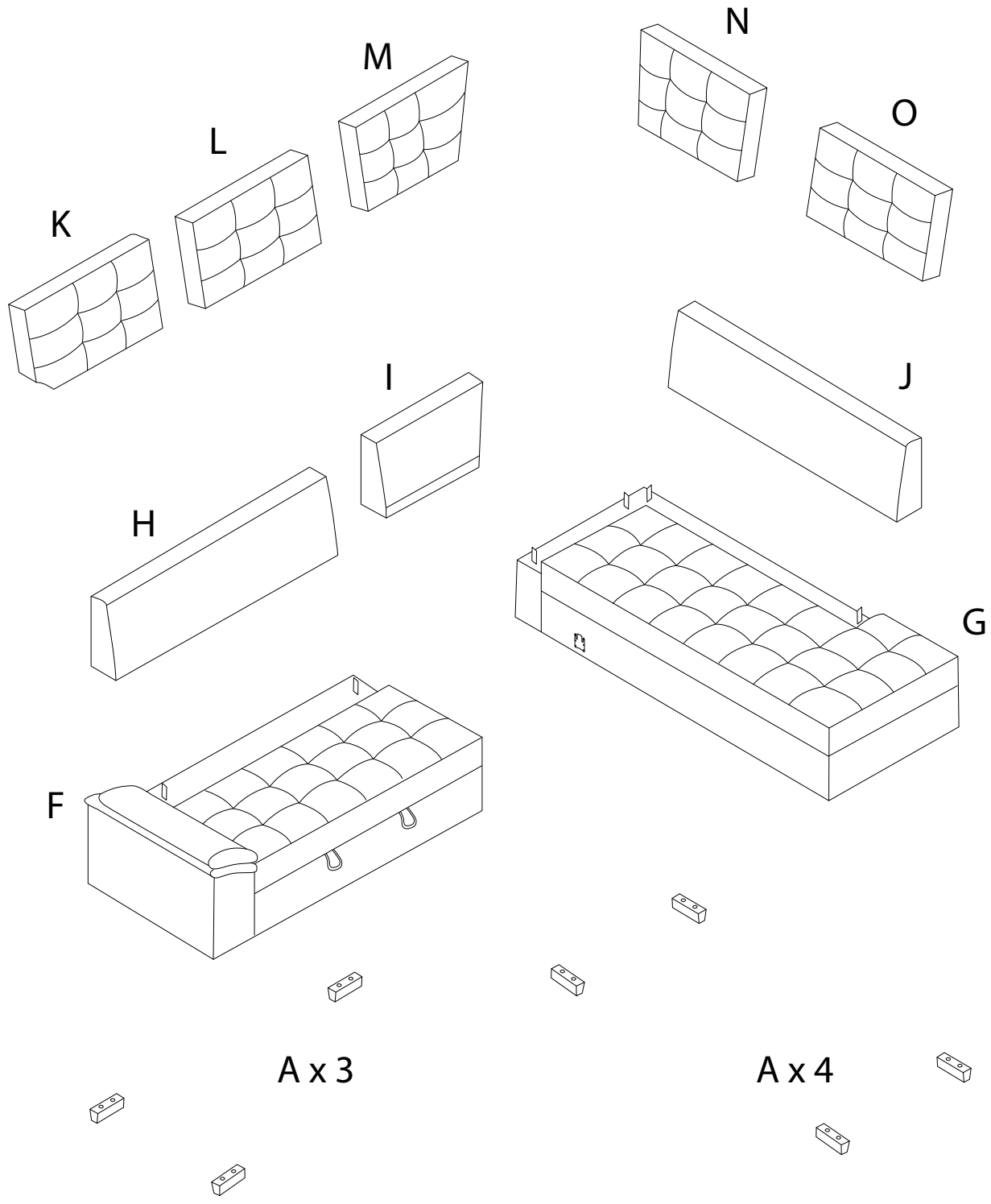


Assembly instructions for step 1/7:

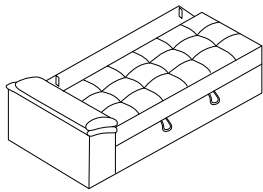
- Tools:** A screwdriver and a power drill are shown in a circular inset.
- Warning:** A warning triangle with an exclamation mark is positioned above the tools.
- Time:** A clock icon indicates a 60-minute assembly time.
- Personnel:** A person icon indicates that 1 person is required for assembly.
- Diagram:** A diagram shows a rectangular block being placed on a surface with a textured pattern. A second diagram shows the block being secured with a screw, with a diagonal line indicating the direction of the screw.

1/7

A	B	C	D	E
			 M2 x 50	 M1 x 25
x 7	x 1	x 4	x 15	x 12

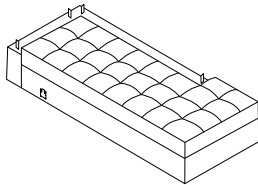


F



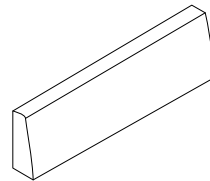
x 1

G



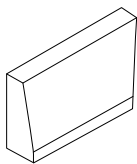
x 1

H



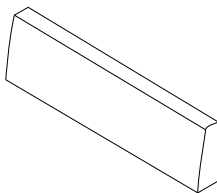
x 1

I



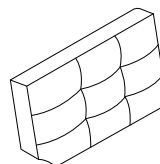
x 1

J



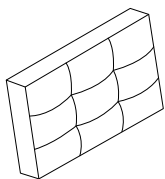
x 1

K



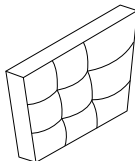
x 1

L



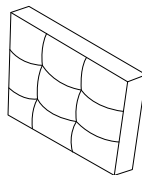
x 1

M



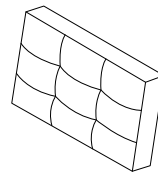
x 1

N



x 1

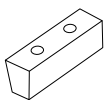
O



x 1

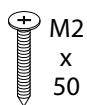
1

A



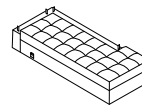
x 4

D

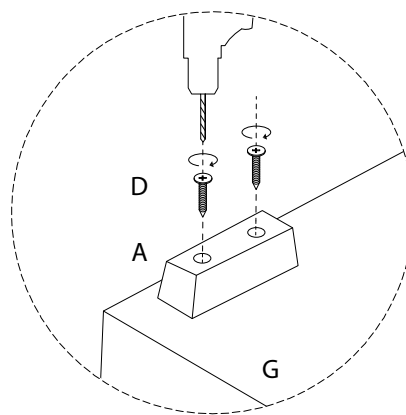
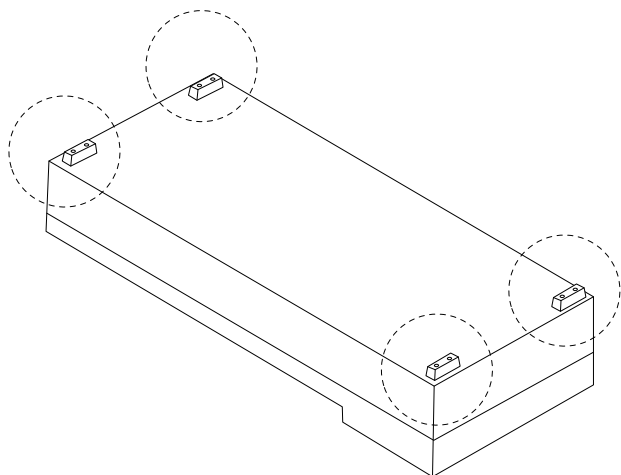


x 8

G

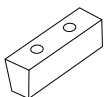


x 1



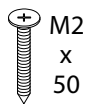
2

A



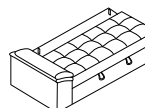
x 3

D

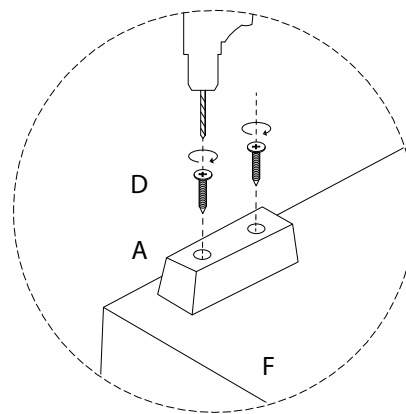
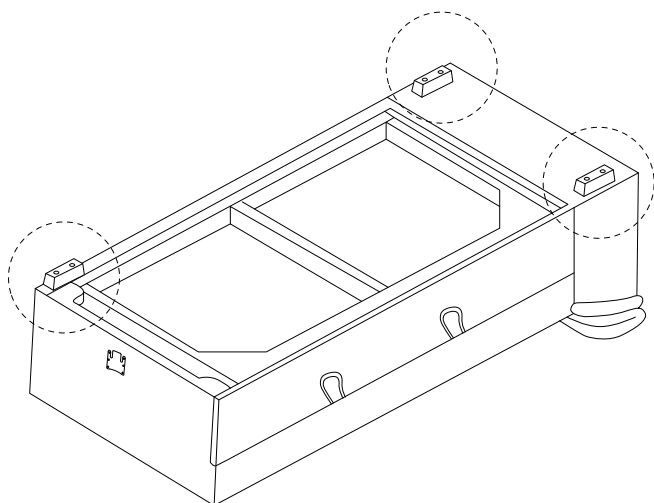


x 6

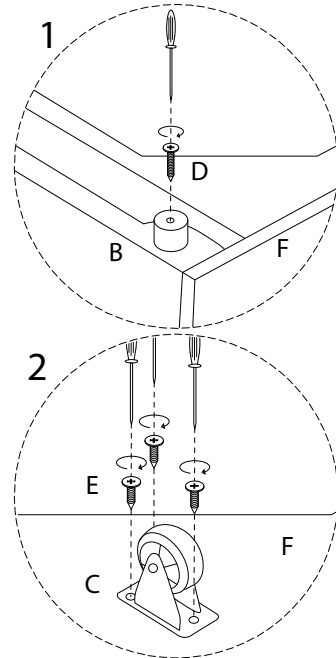
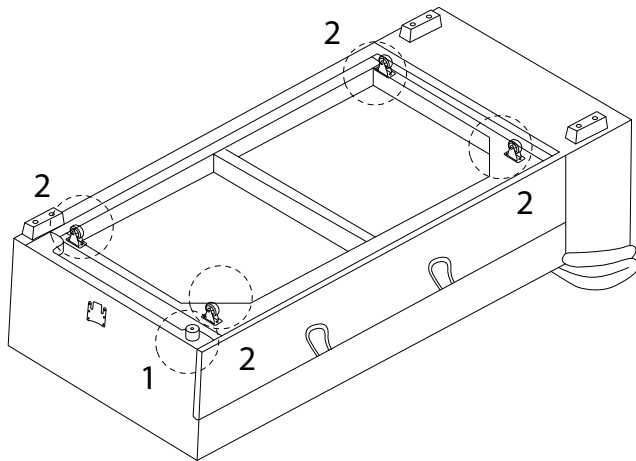
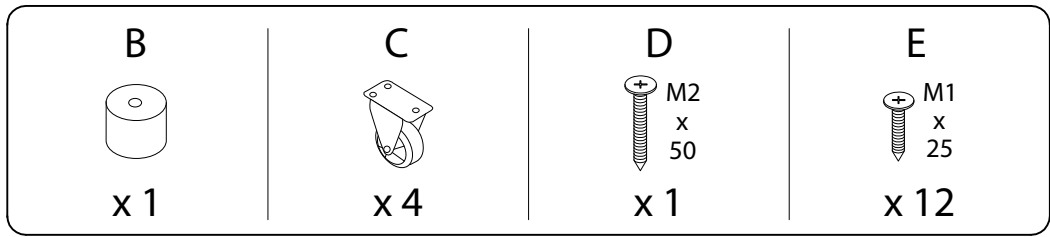
F



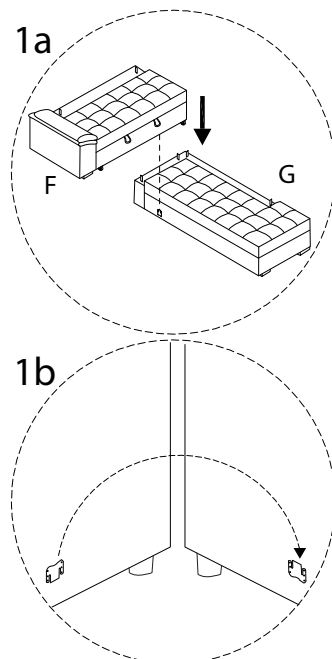
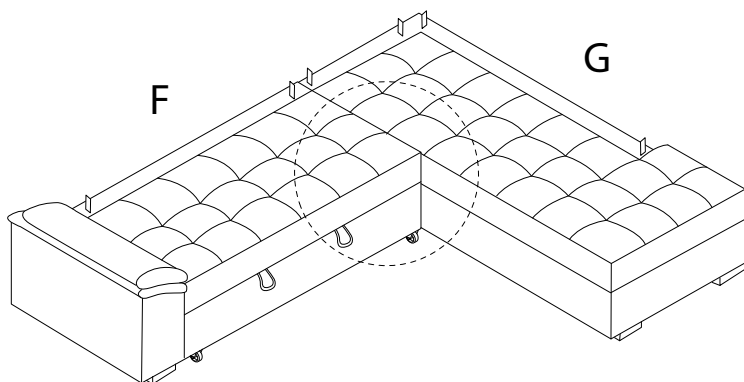
x 1



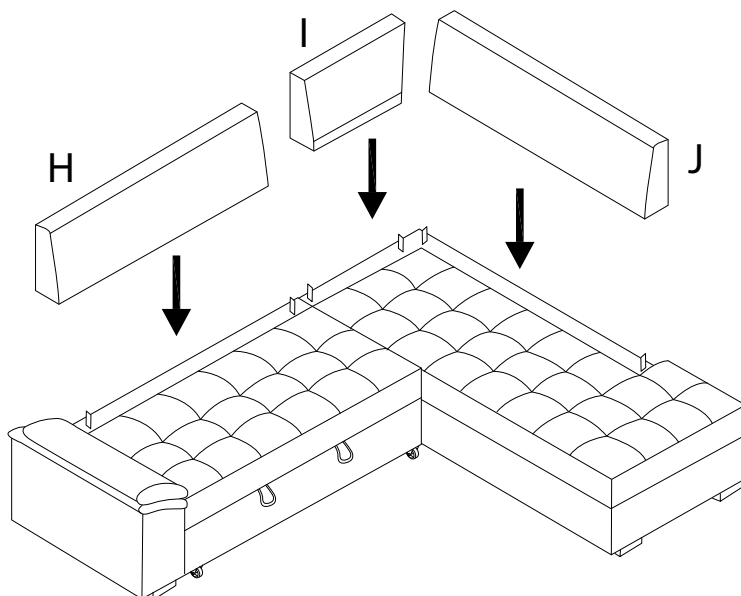
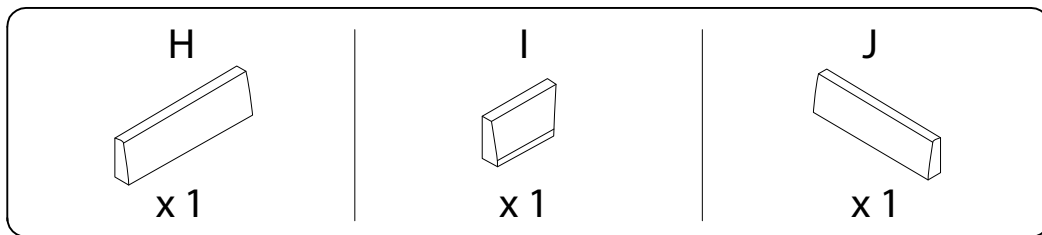
3



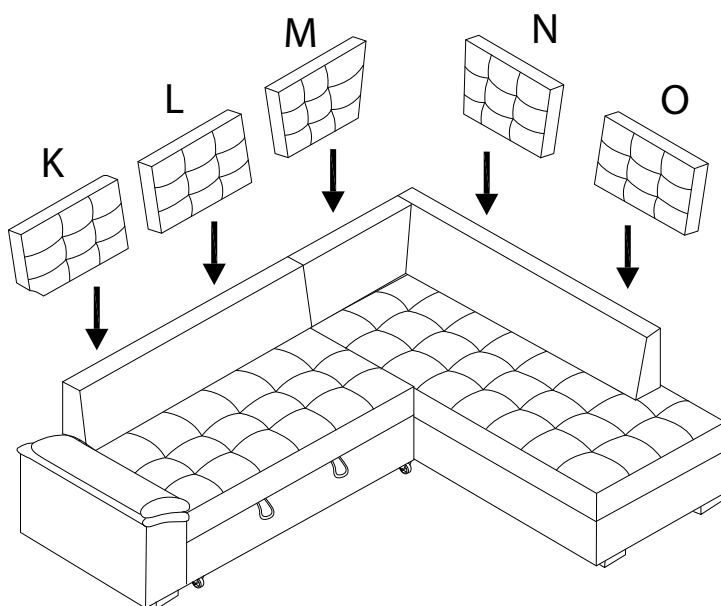
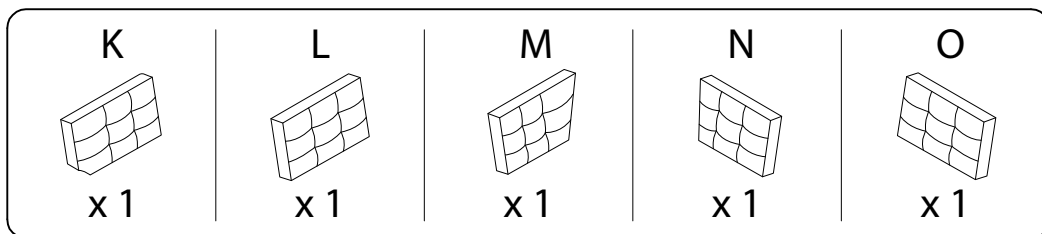
4



5



6



!

