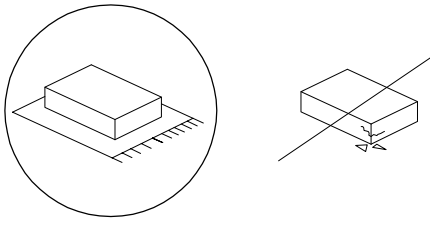

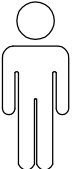
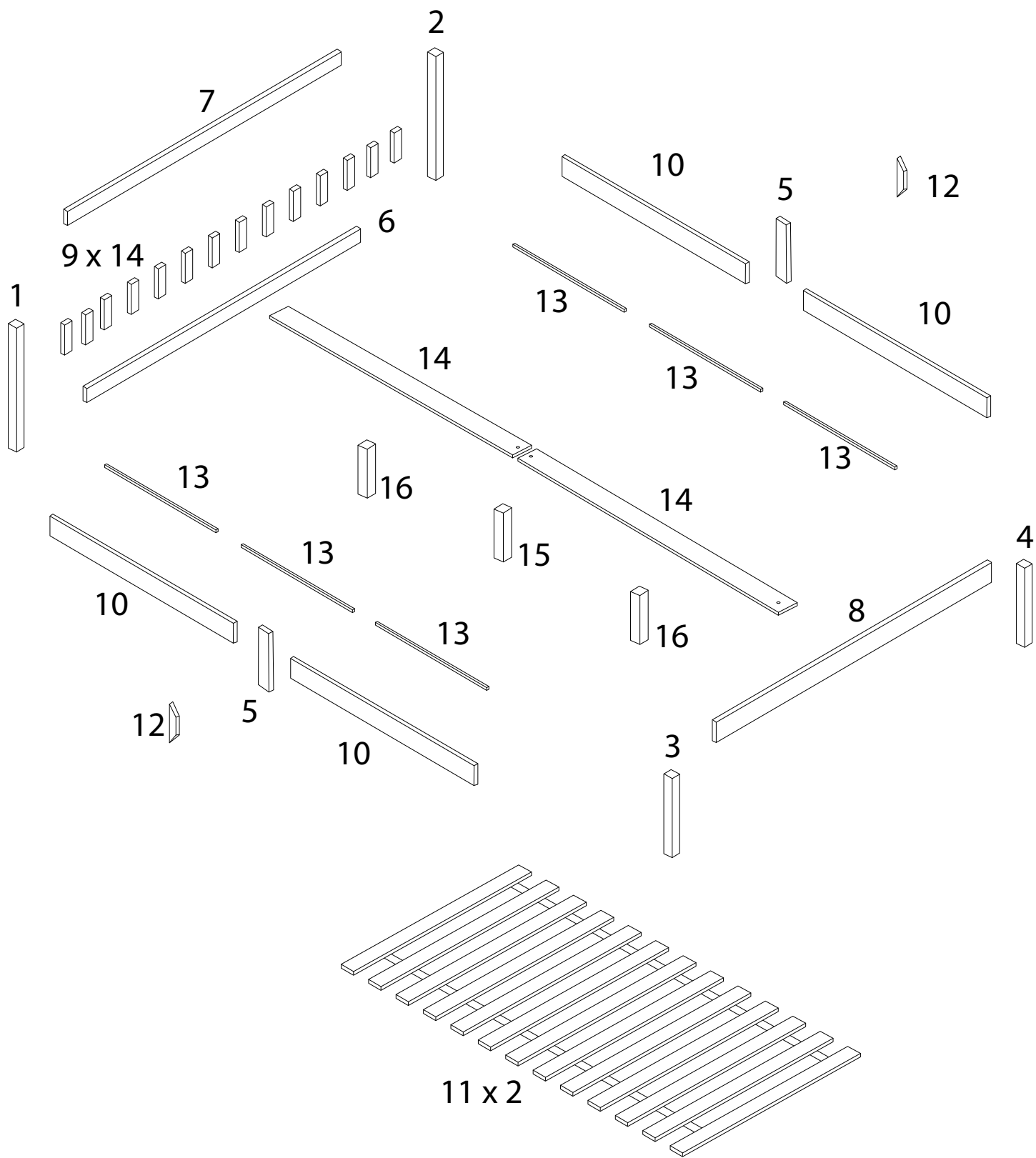

		60'
		
		2



1



x 1

2



x 1

3



x 1

4



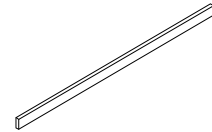
x 1

5



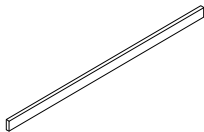
x 2

6



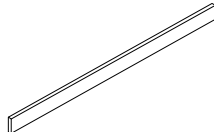
x 1

7



x 1

8



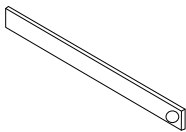
x 1

9



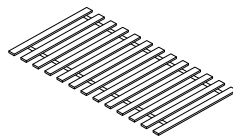
x 14

10



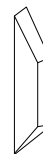
x 1

11



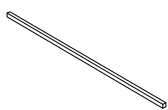
x 2

12



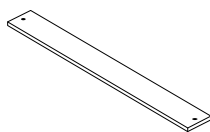
x 2

13



x 6

14



x 2

15



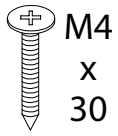
x 1

16



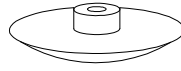
x 2

M



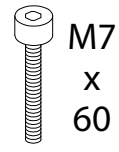
x 94

N



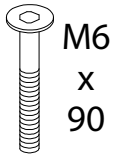
x 14

P



x 6

Q



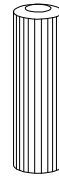
x 12

R



x 12

S



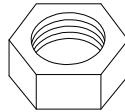
x 82

T



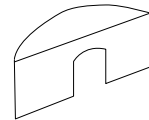
x 2

U



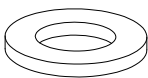
x 4

V



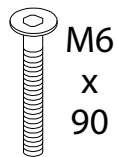
x 4

W



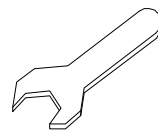
x 4

X



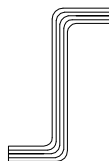
x 2

Y



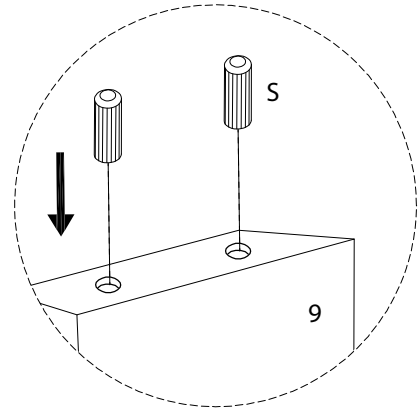
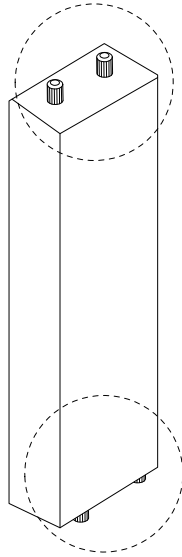
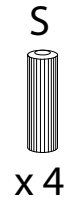
x 1

Z

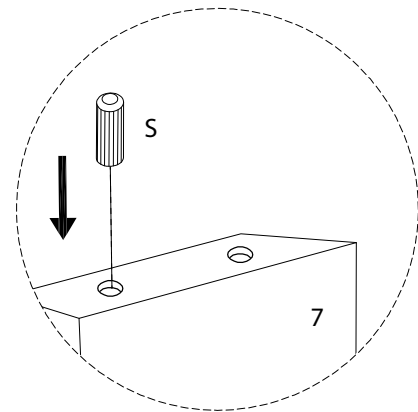
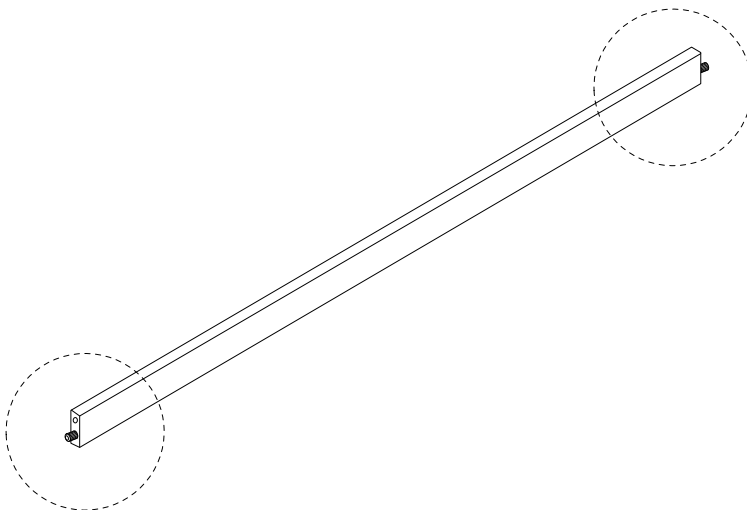
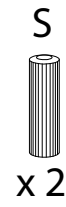
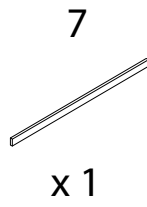


x 1

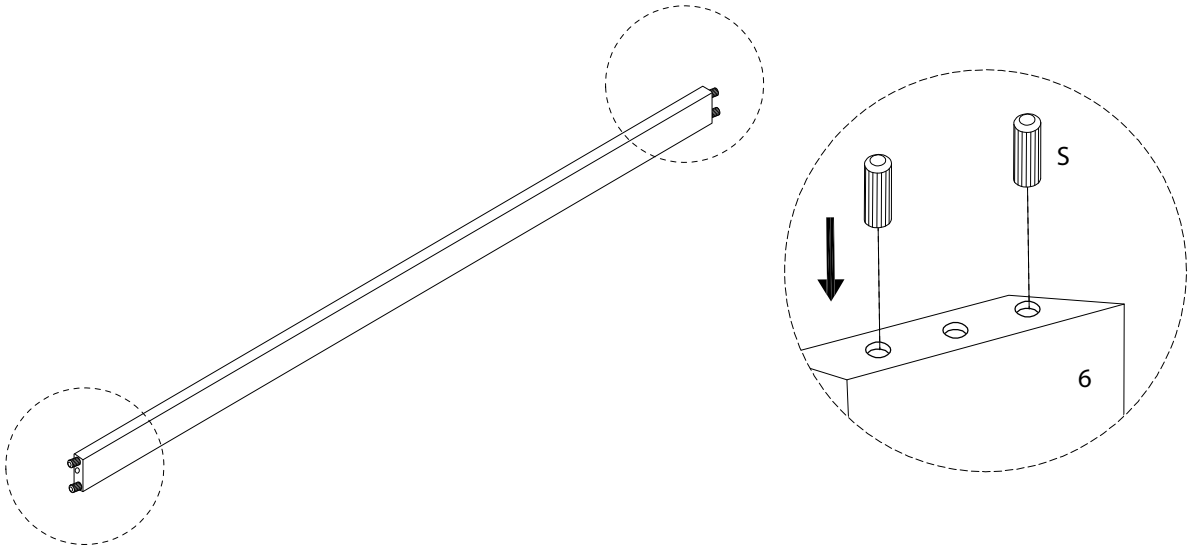
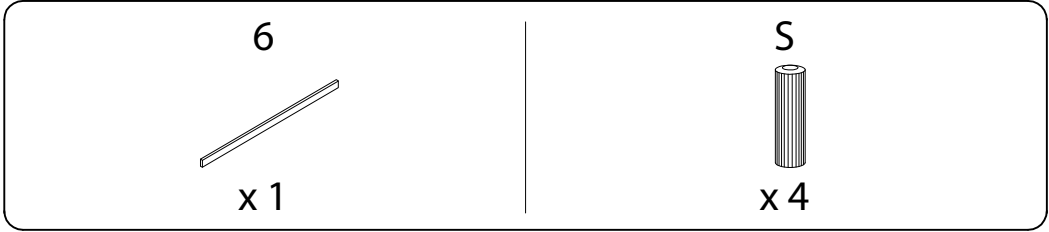
1 x 14



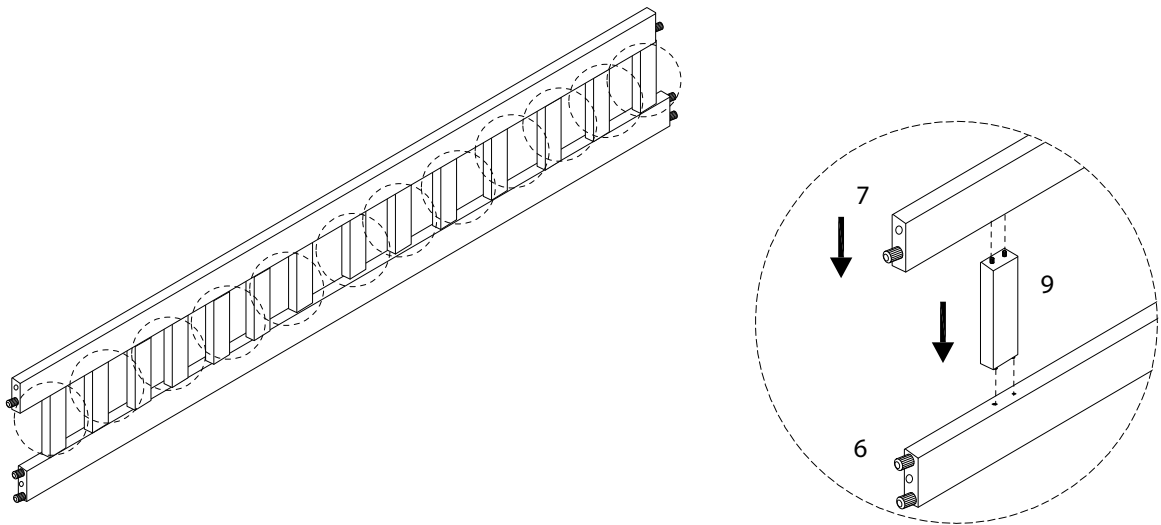
2



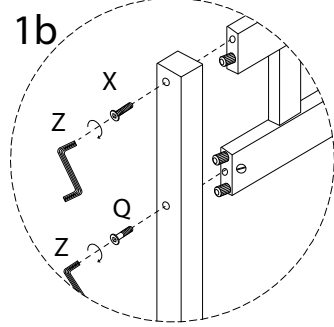
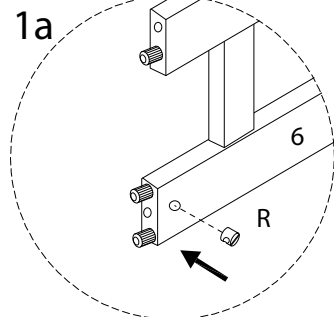
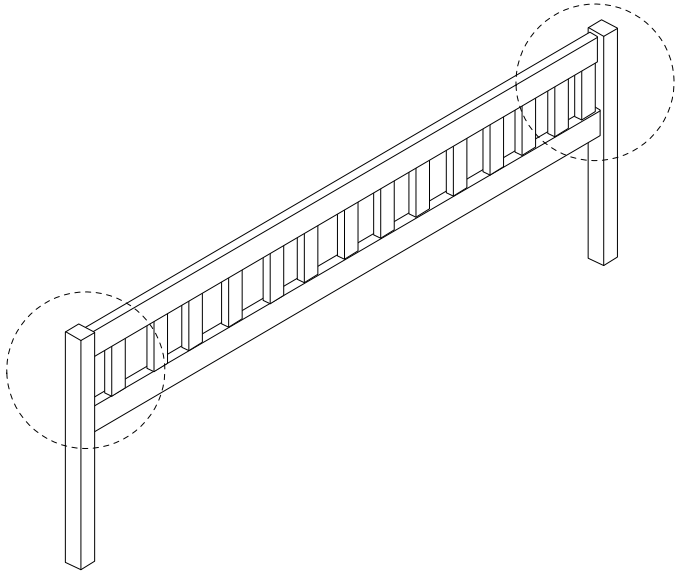
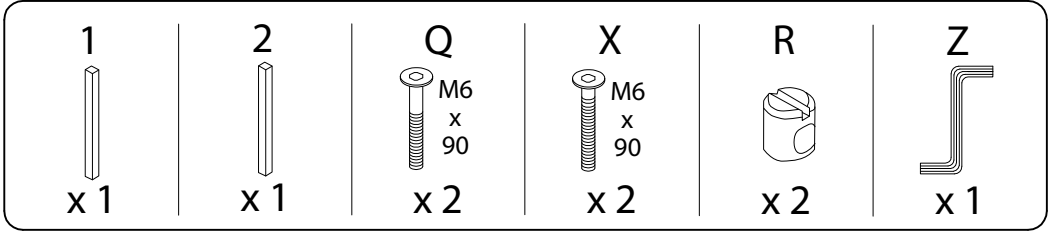
3



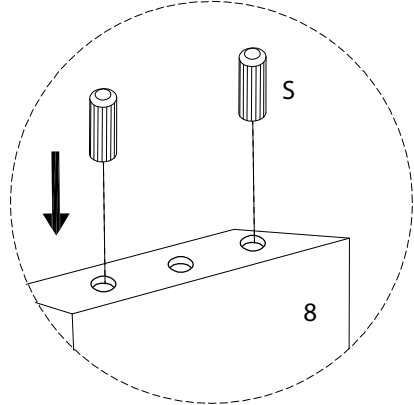
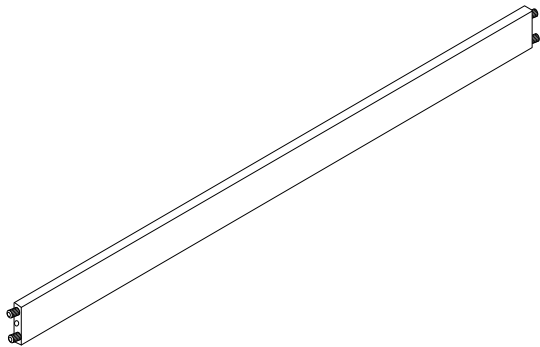
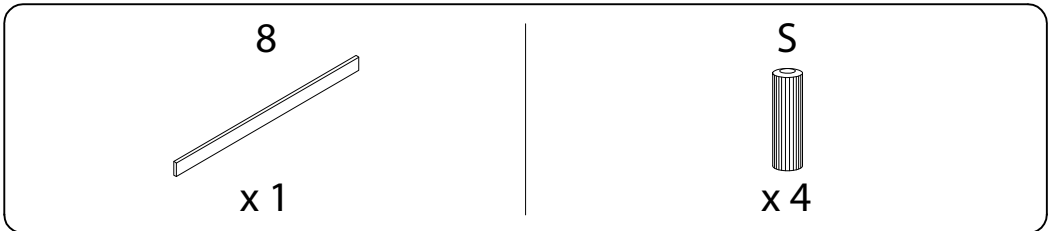
4



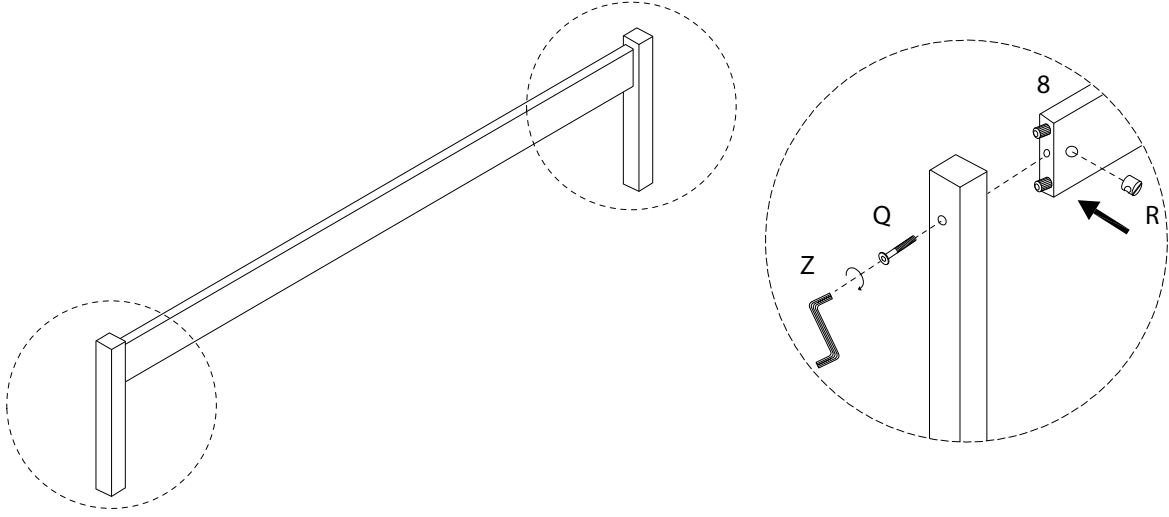
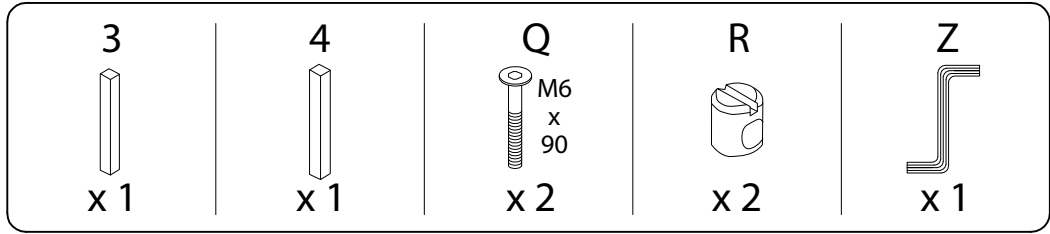
5



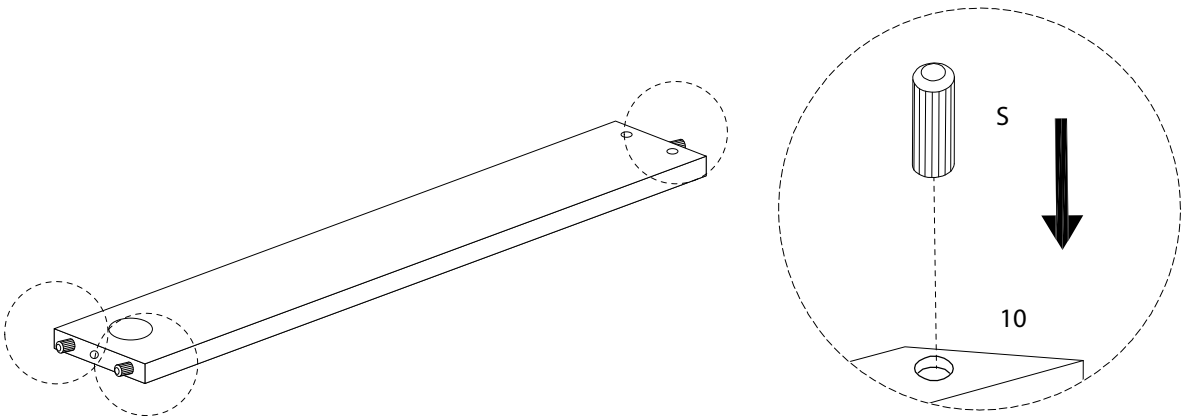
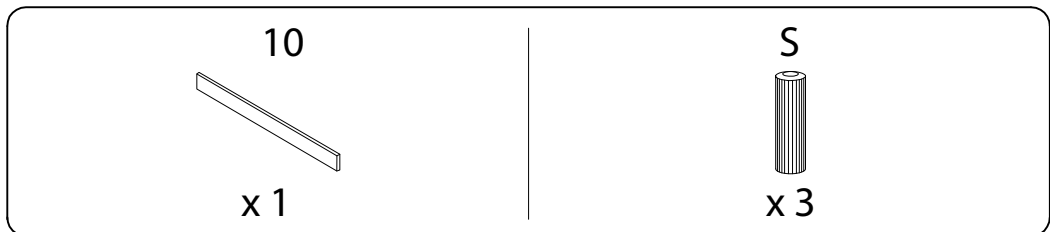
6



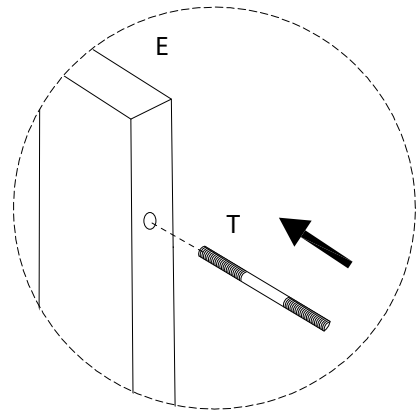
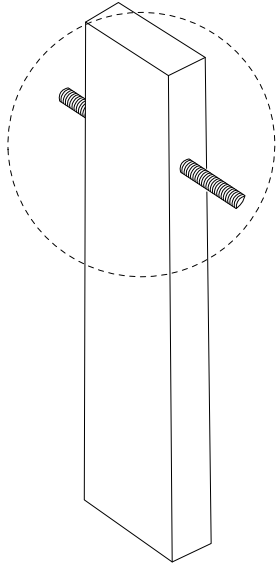
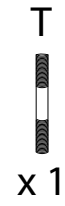
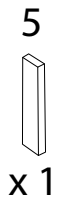
7



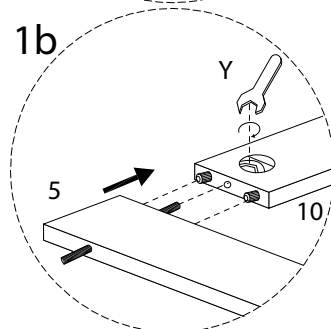
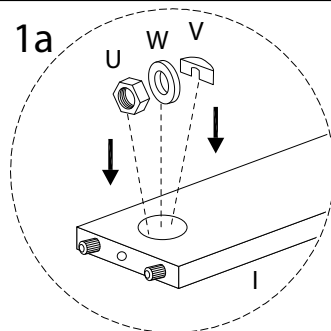
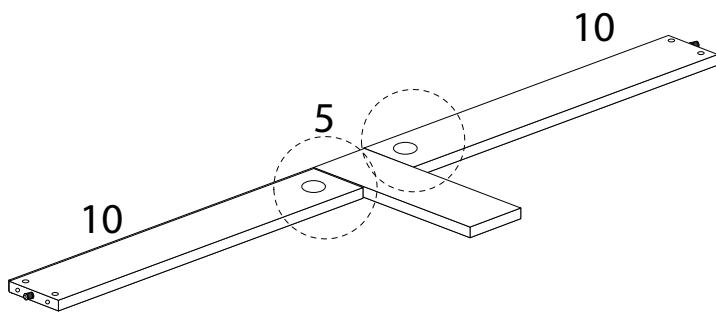
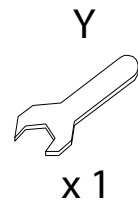
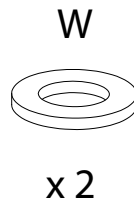
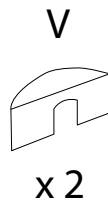
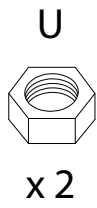
8 x 4



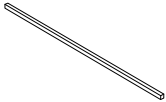
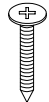
9 x 2

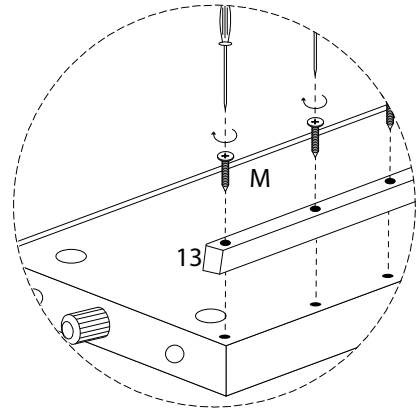
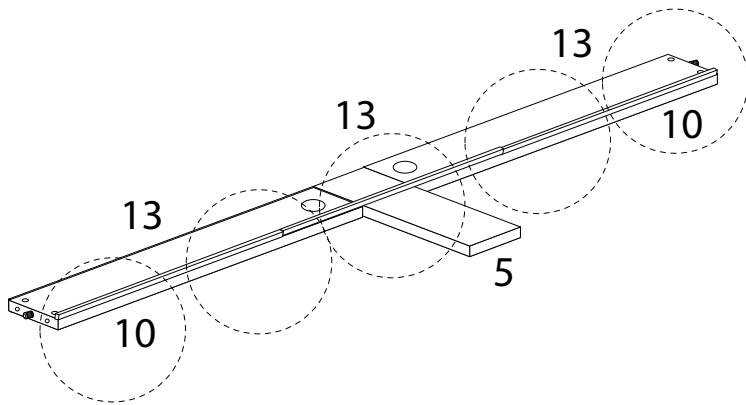


10 x 2

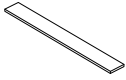



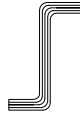


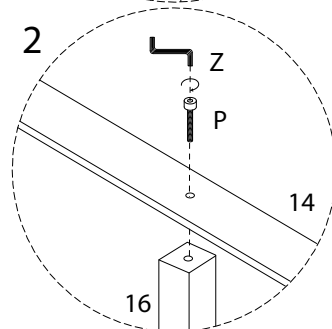
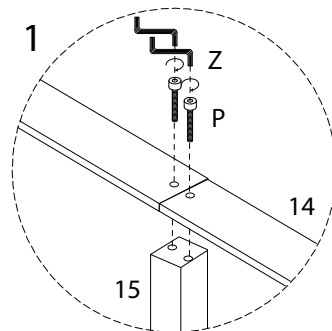
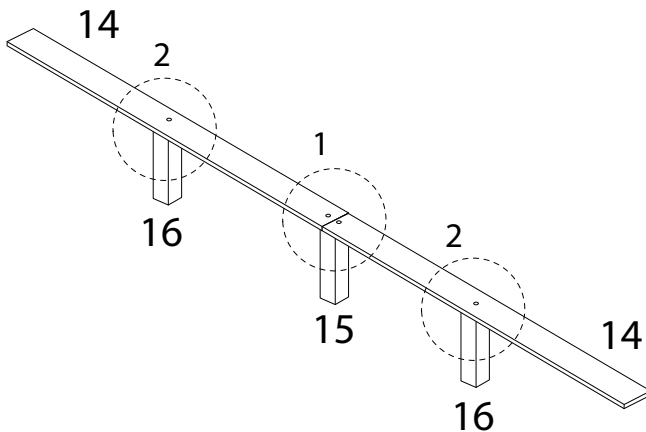
11 x 2

13  x 3	M  M4 x 30 x 15
--	---

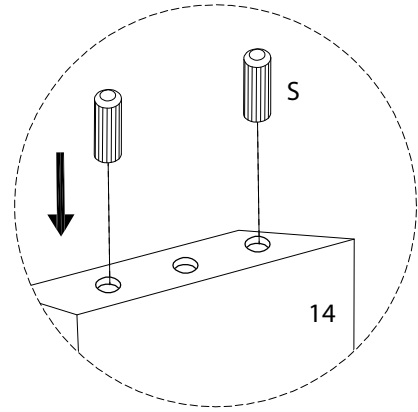
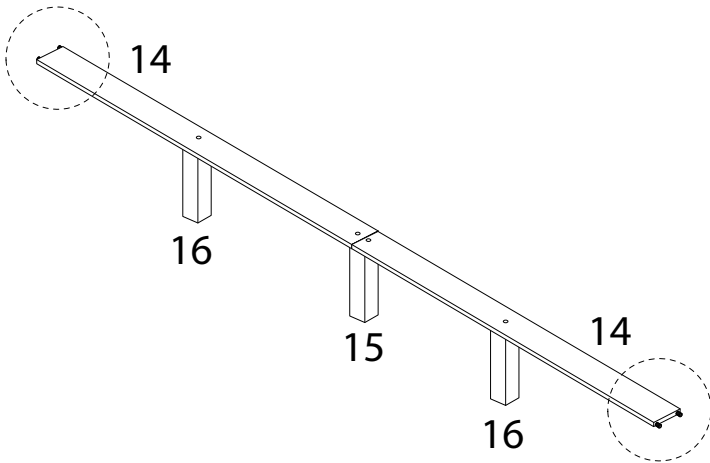
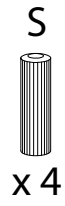


12

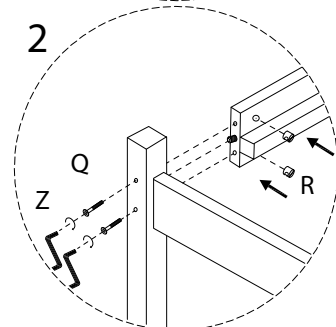
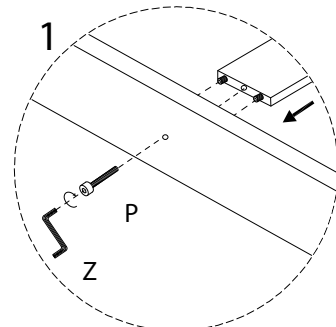
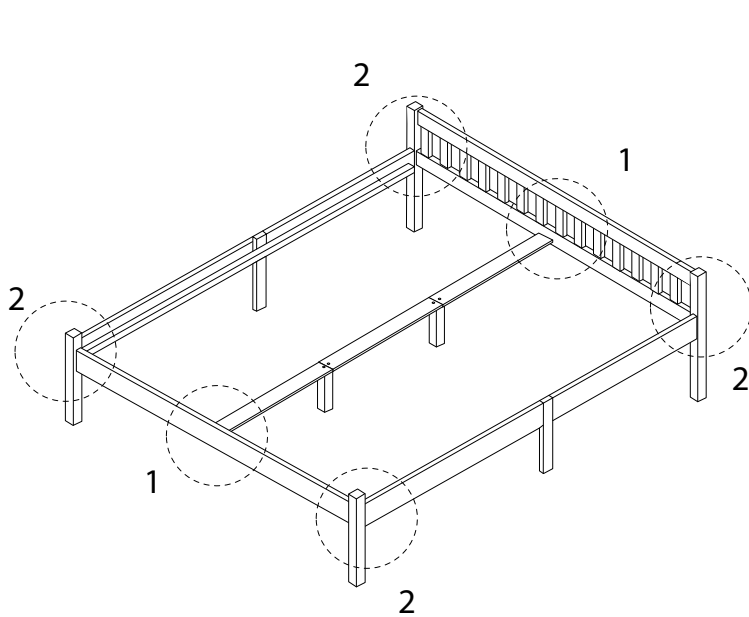
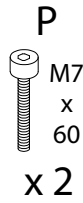
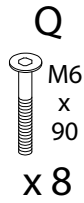
14  x 2	15  x 1	16  x 2	P  M7 x 60 x 4	Z  x 1
--	--	--	--	---



13



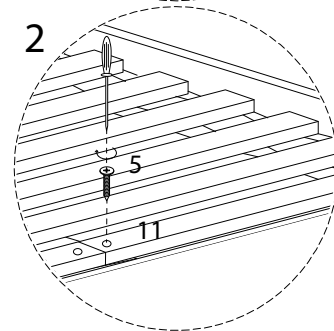
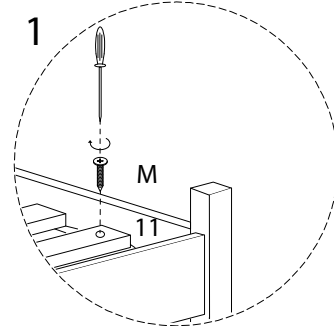
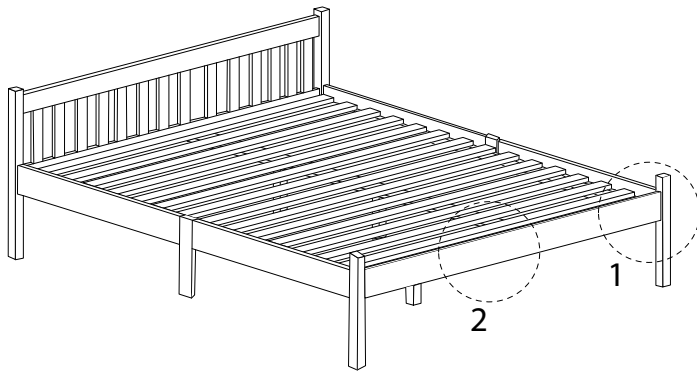
14



15

M
M4
x
30
x 60

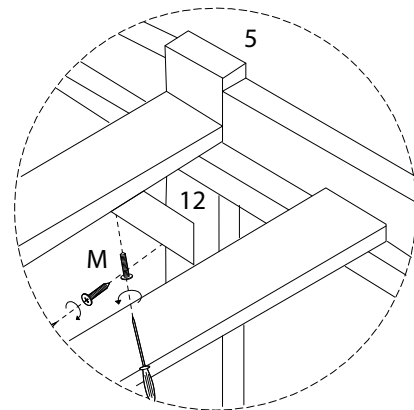
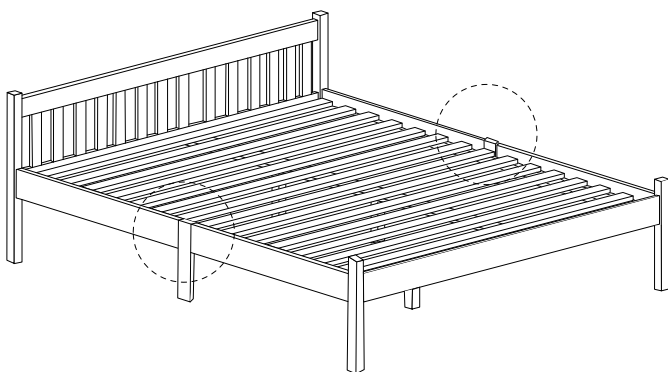
11
x 2



16

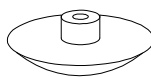
M
M4
x
30
x 4

12
x 2



17

N



x 14

