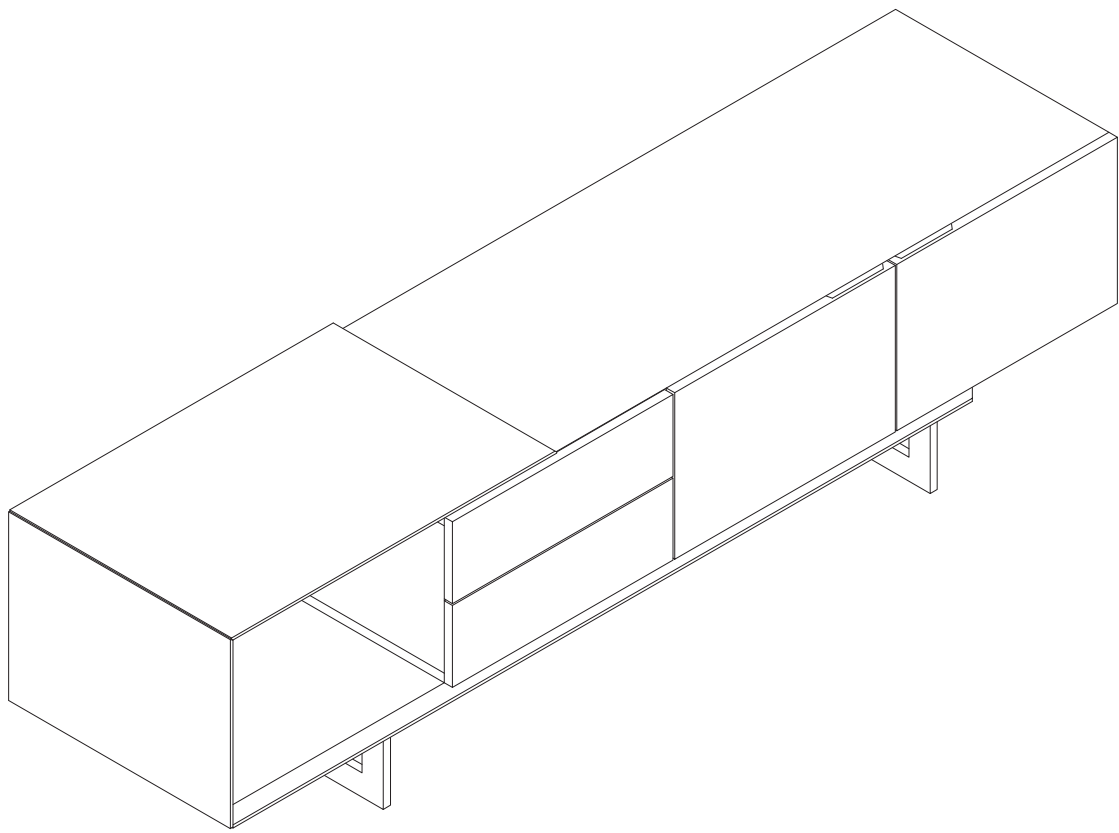
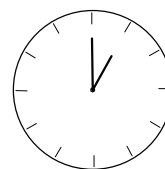
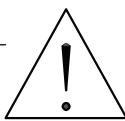
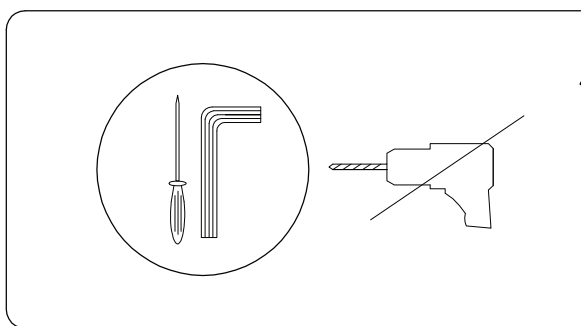
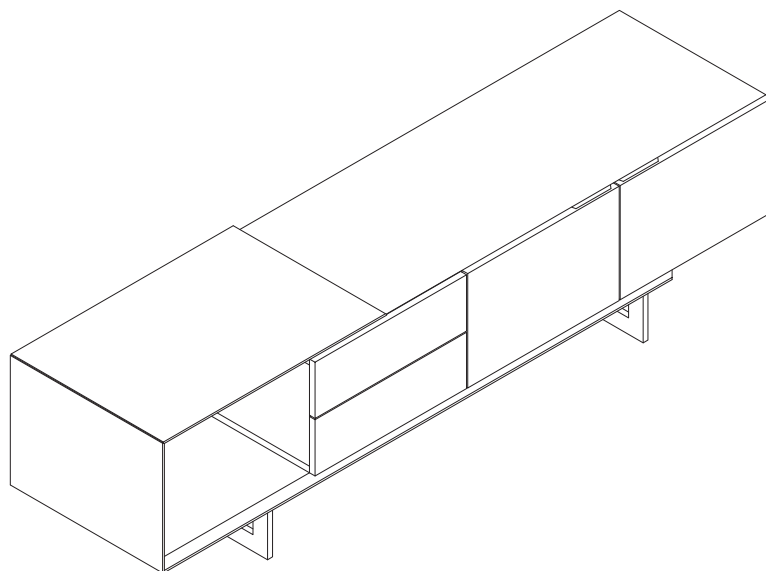
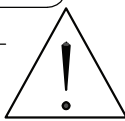
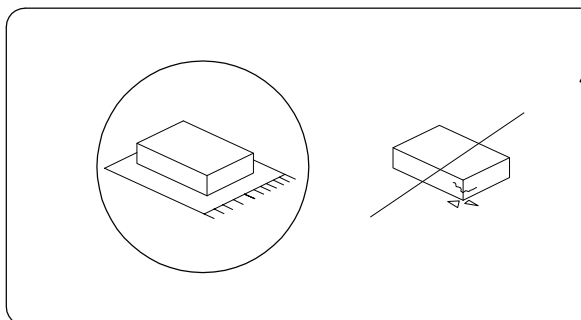


FIORA

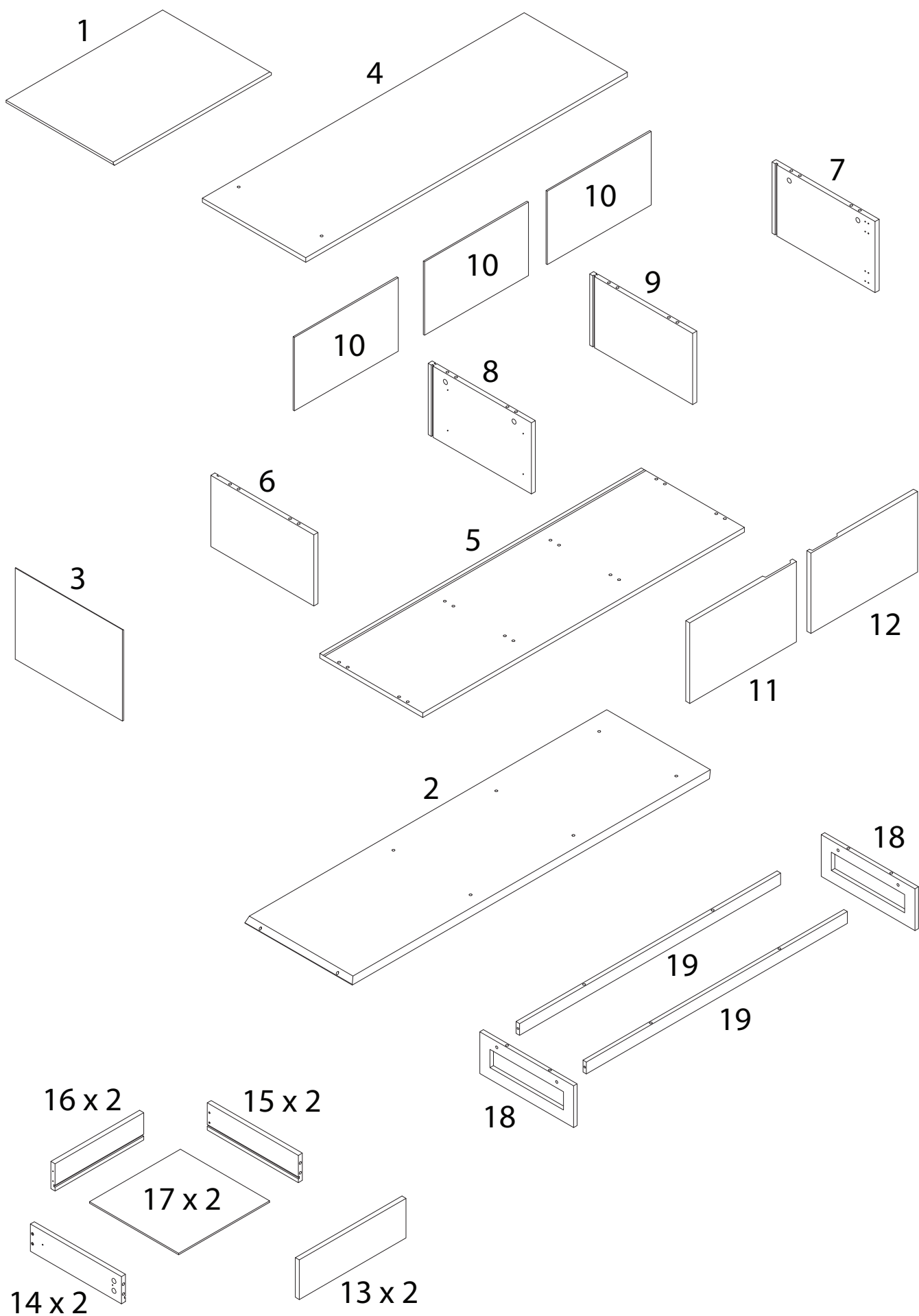


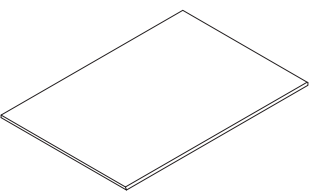
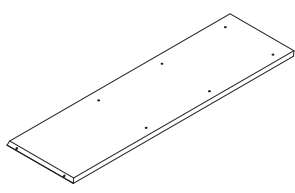
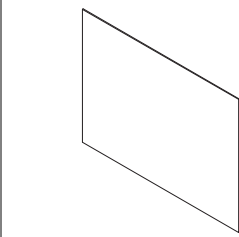
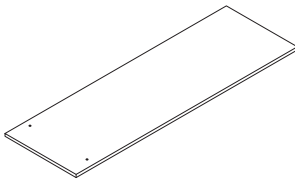
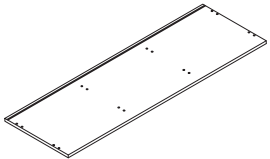
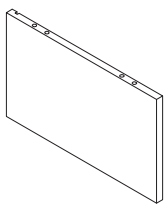
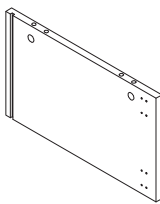
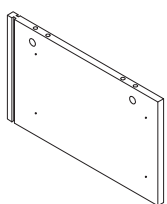
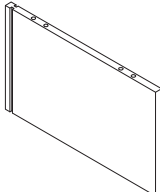
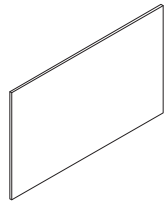
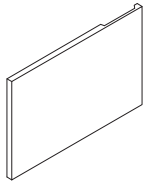
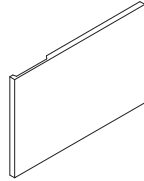
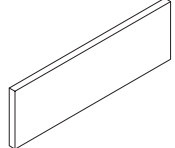
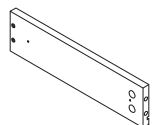
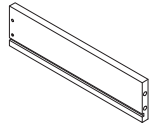
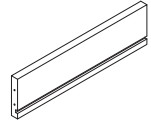
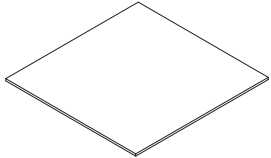
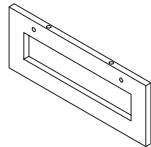
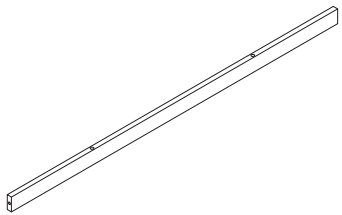


60'



2



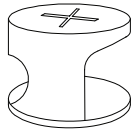
<p>1</p>  <p>x 1</p>	<p>2</p>  <p>x 1</p>	<p>3</p>  <p>x 1</p>	<p>4</p>  <p>x 1</p>
<p>5</p>  <p>x 1</p>	<p>6</p>  <p>x 1</p>	<p>7</p>  <p>x 1</p>	<p>8</p>  <p>x 1</p>
<p>9</p>  <p>x 1</p>	<p>10</p>  <p>x 3</p>	<p>11</p>  <p>x 1</p>	<p>12</p>  <p>x 1</p>
<p>13</p>  <p>x 2</p>	<p>14</p>  <p>x 2</p>	<p>15</p>  <p>x 2</p>	<p>16</p>  <p>x 2</p>
<p>17</p>  <p>x 2</p>	<p>18</p>  <p>x 2</p>	<p>19</p>  <p>x 2</p>	

A



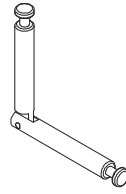
x 16

B



x 24

C



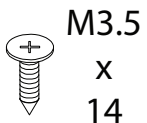
x 4

D



x 16

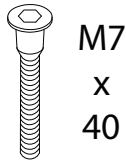
E



M3.5
x
14

x 52

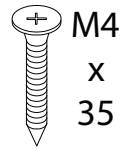
F



M7
x
40

x 8

G



M4
x
35

x 8

H



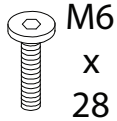
x 4

I



x 4

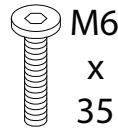
J



M6
x
28

x 8

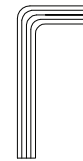
K



M6
x
35

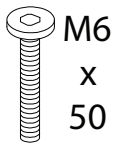
x 4

L



x 1

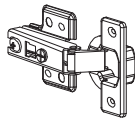
M



M6
x
50

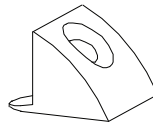
x 8

N



x 4

O



x 12

P



Ø20

x 2

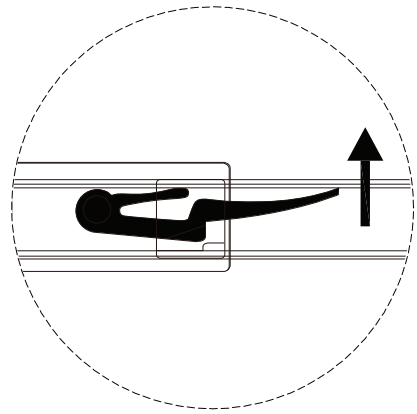
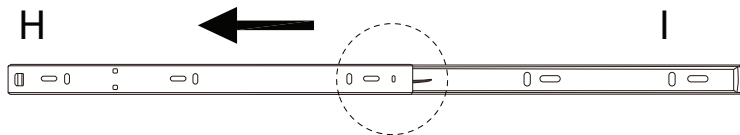
Q



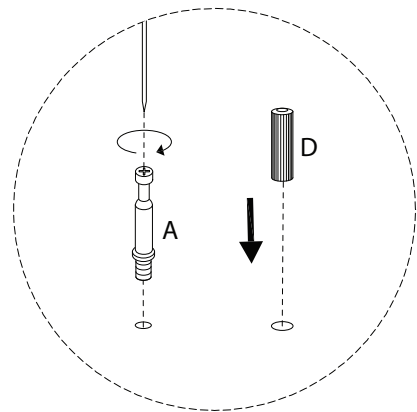
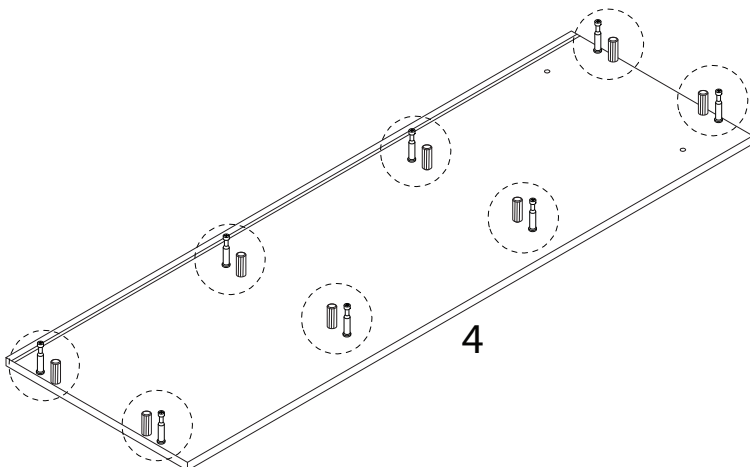
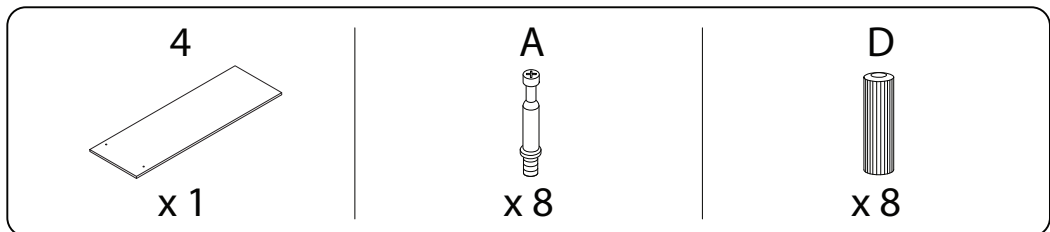
Ø20

x 12

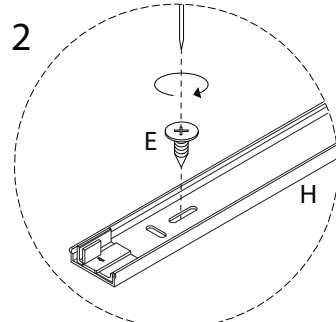
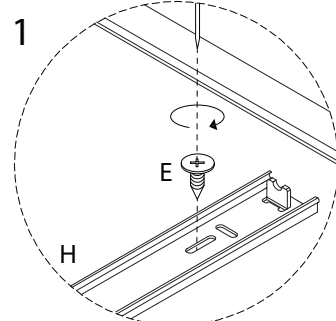
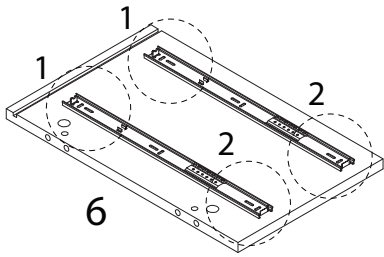
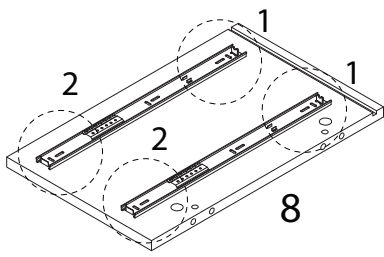
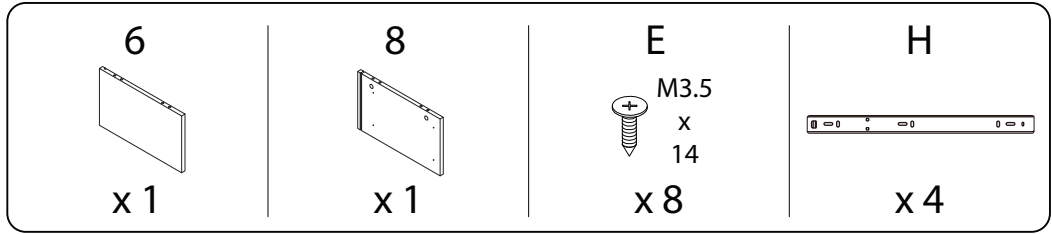
!



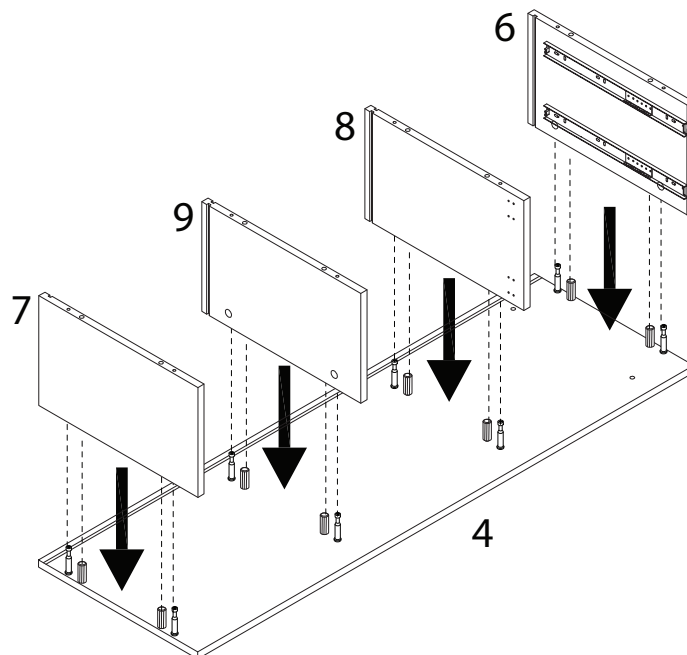
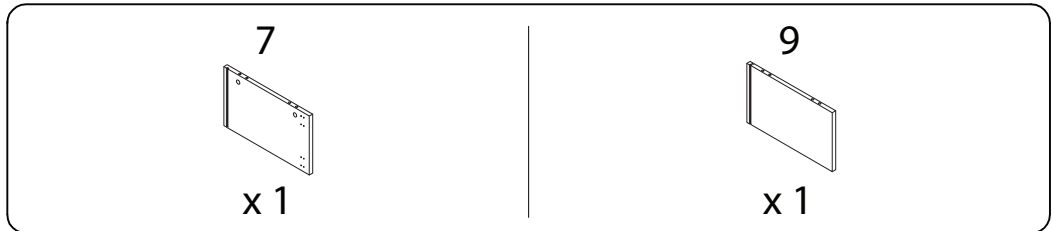
1



2



3

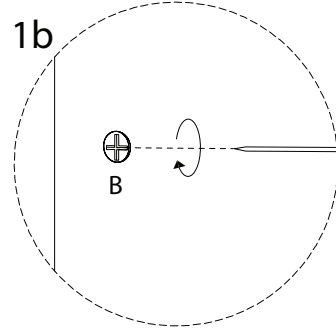
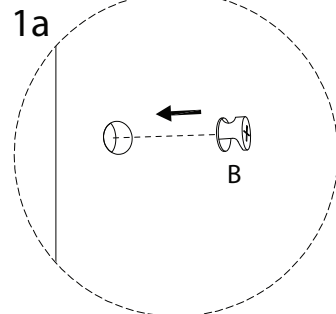
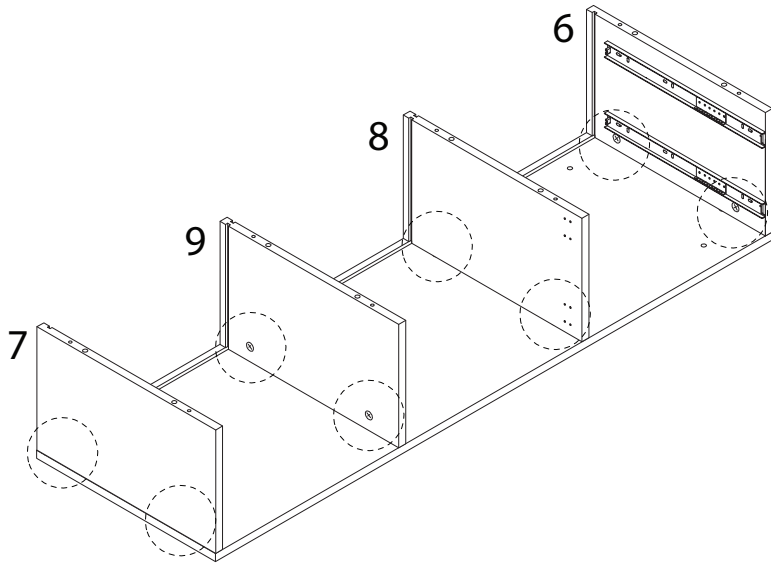


4

B

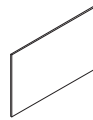


x 8

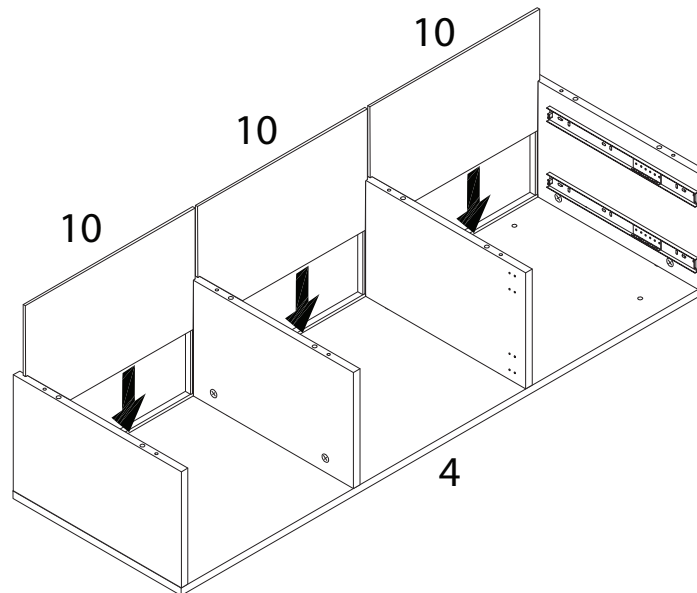


5

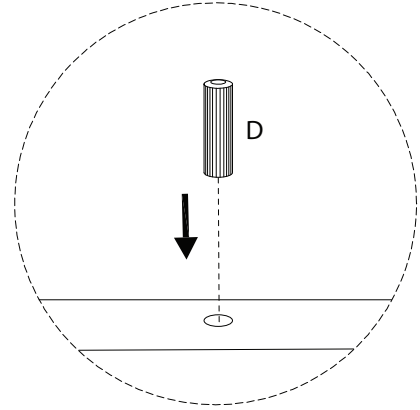
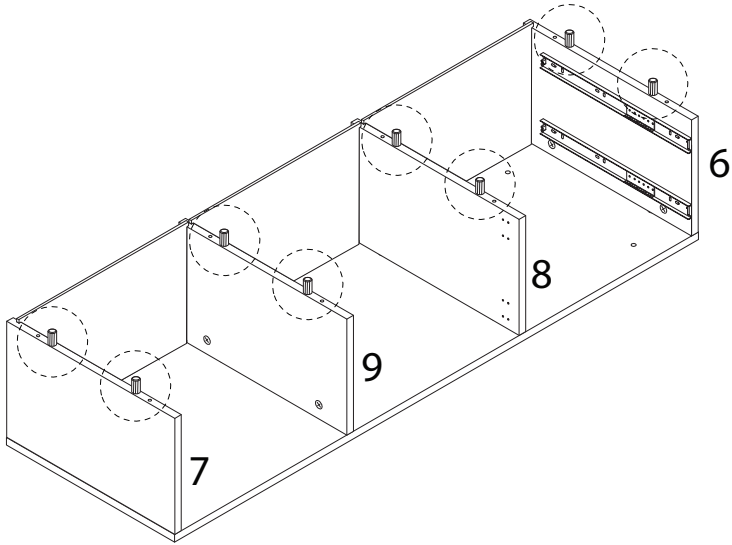
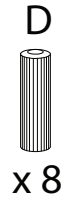
10



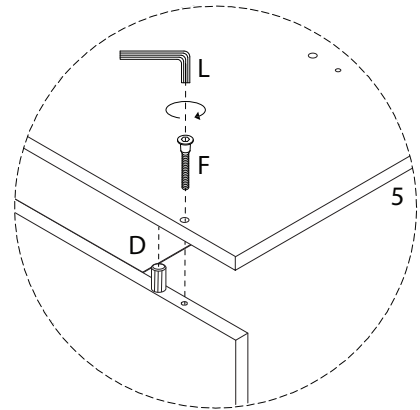
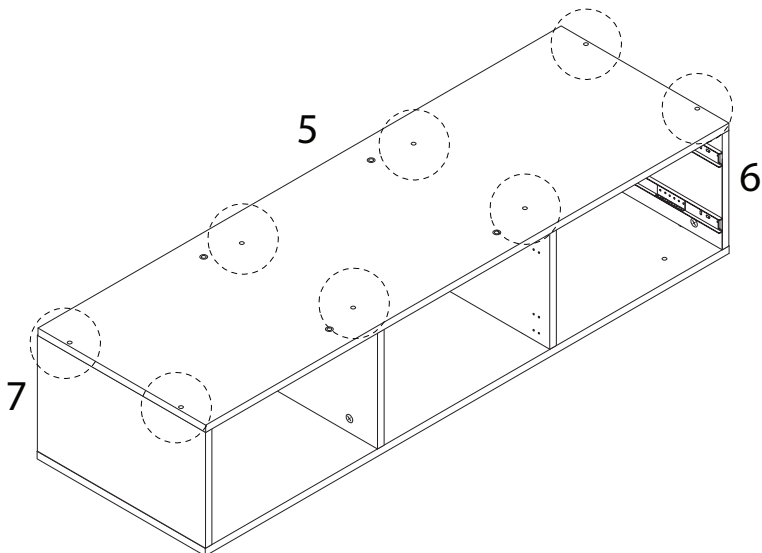
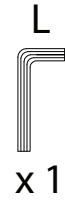
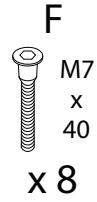
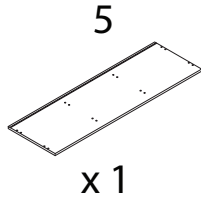
x 3



6

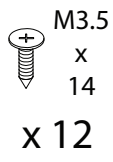


7

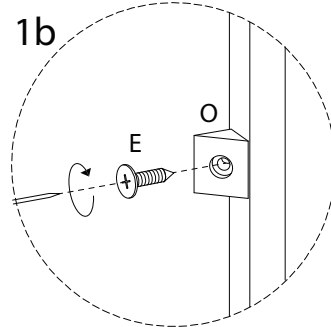
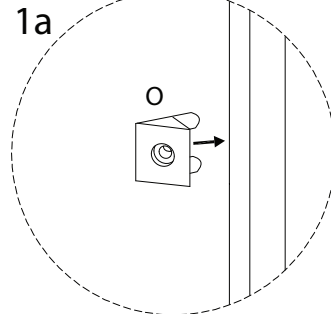
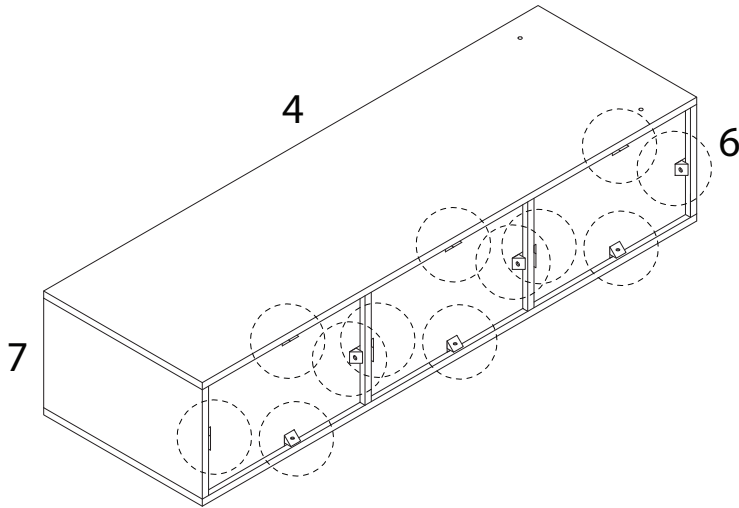


8

E

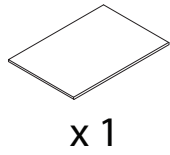


O



9

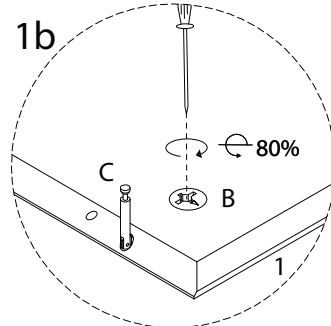
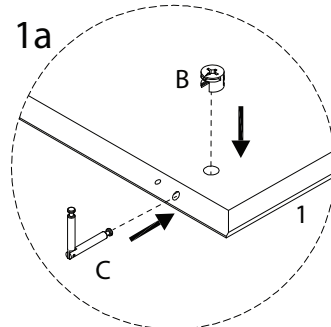
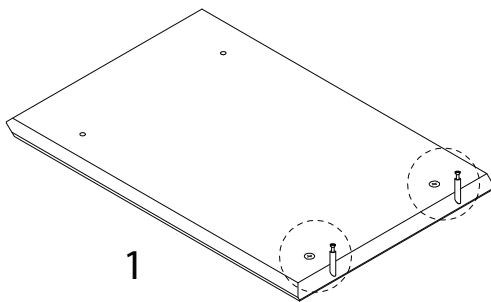
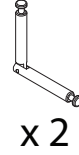
1



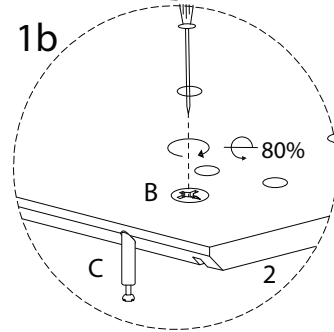
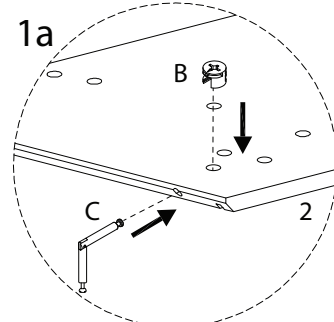
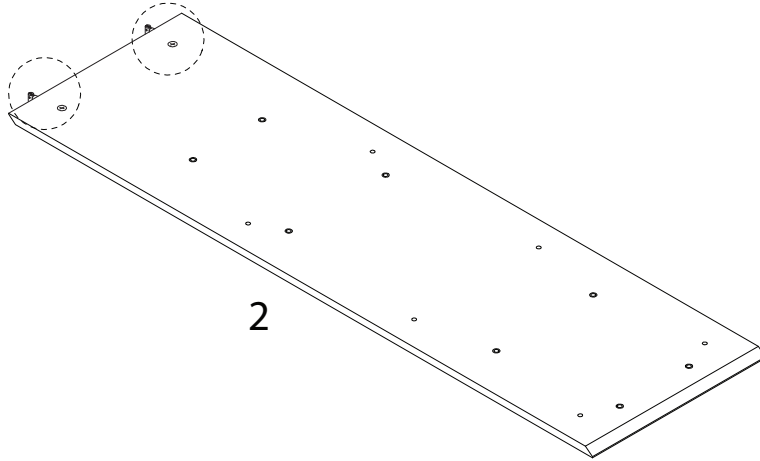
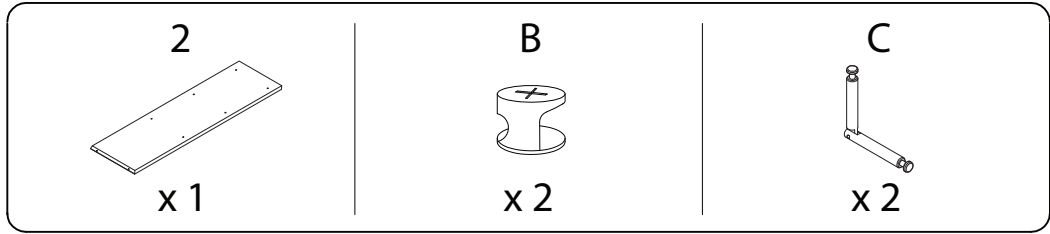
B



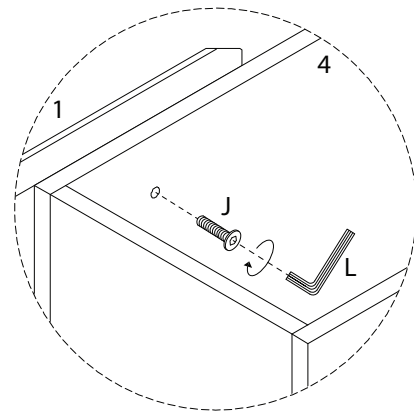
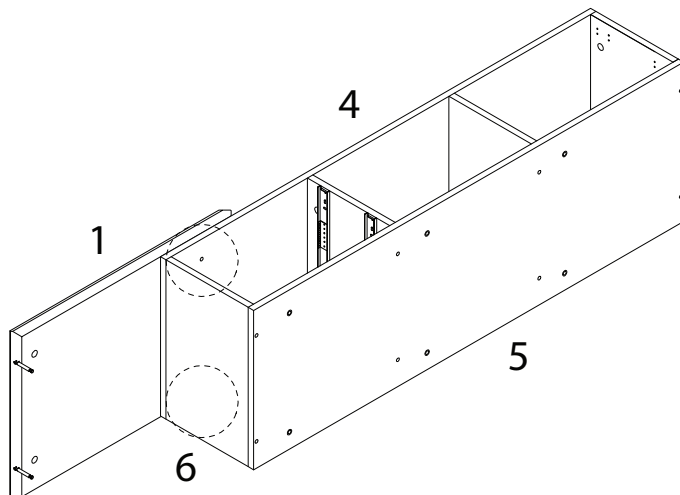
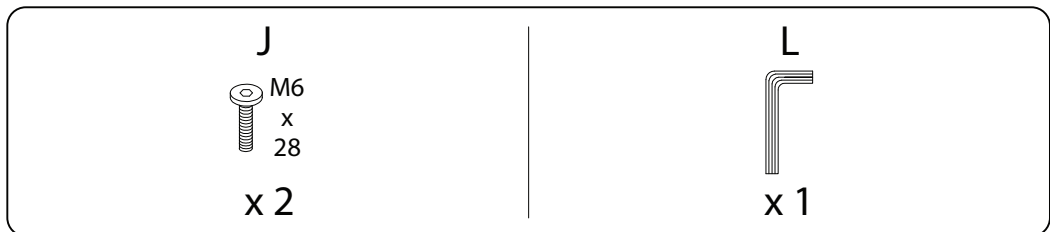
C



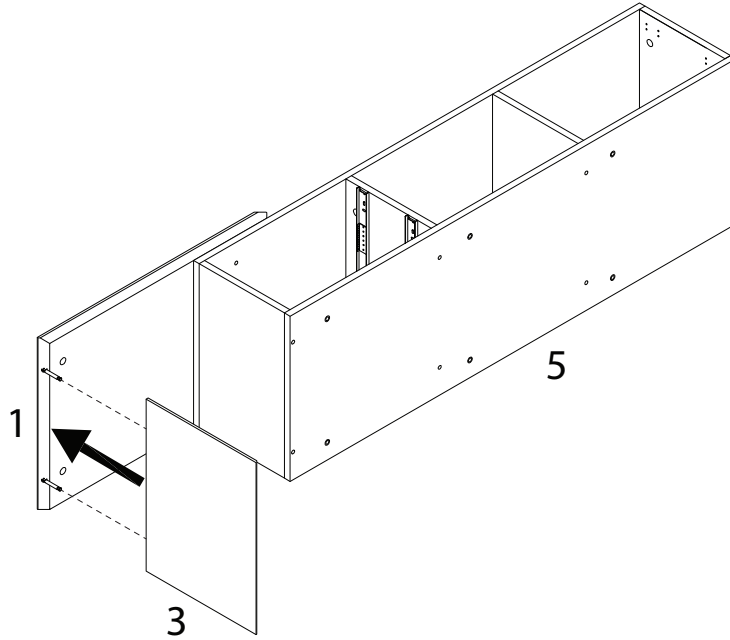
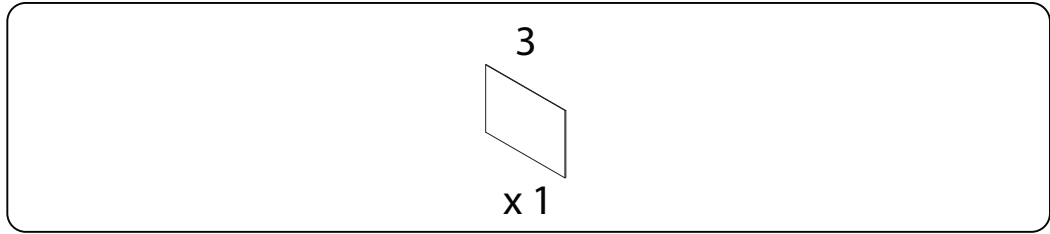
10



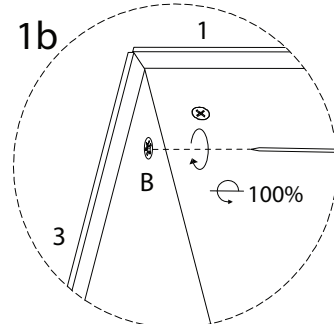
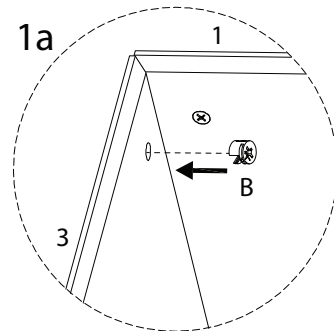
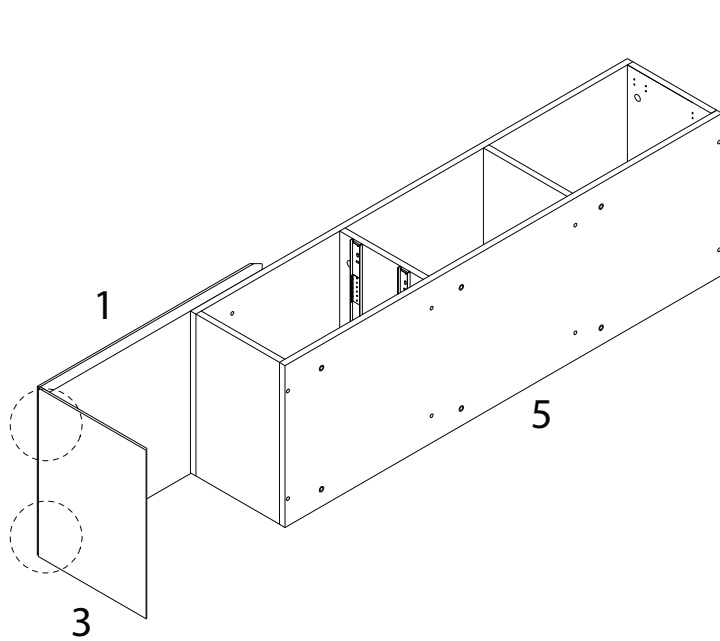
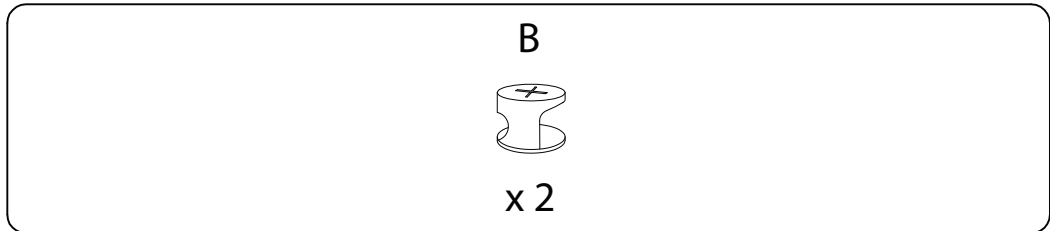
11



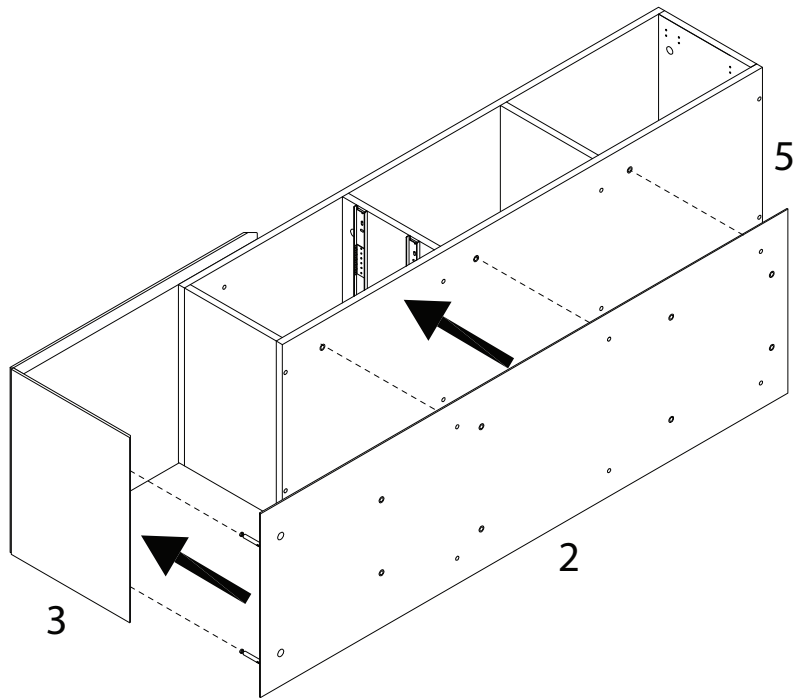
12



13



14

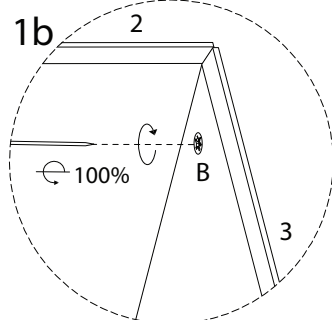
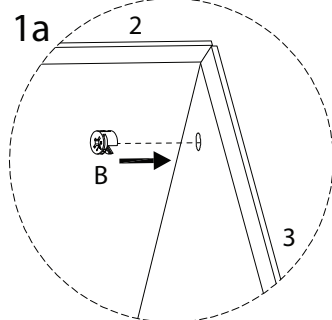
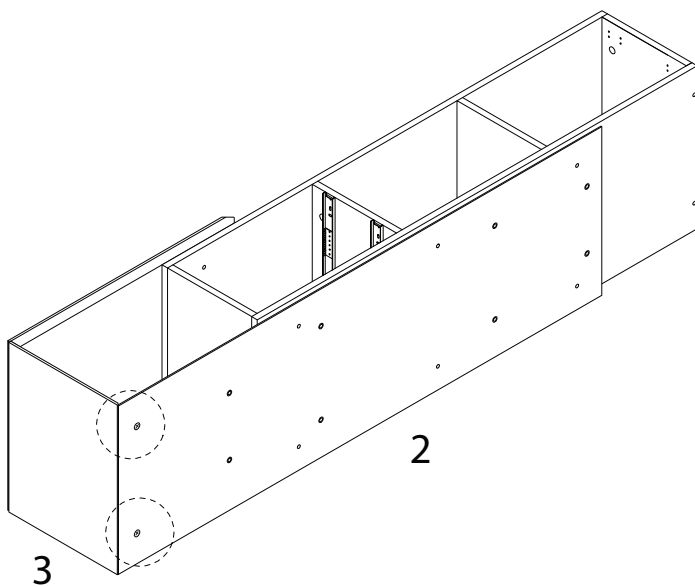


15

B



x 2



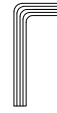
16

J

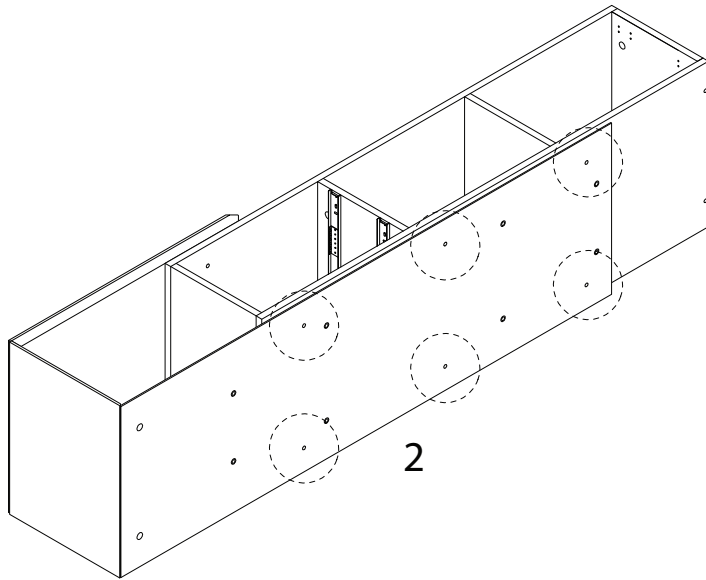


x 6

L

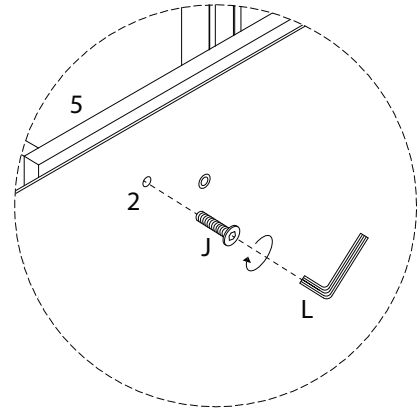


x 1



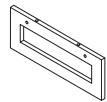
5

2



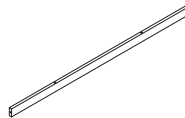
17

18



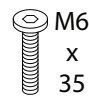
x 2

19



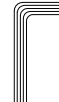
x 2

K

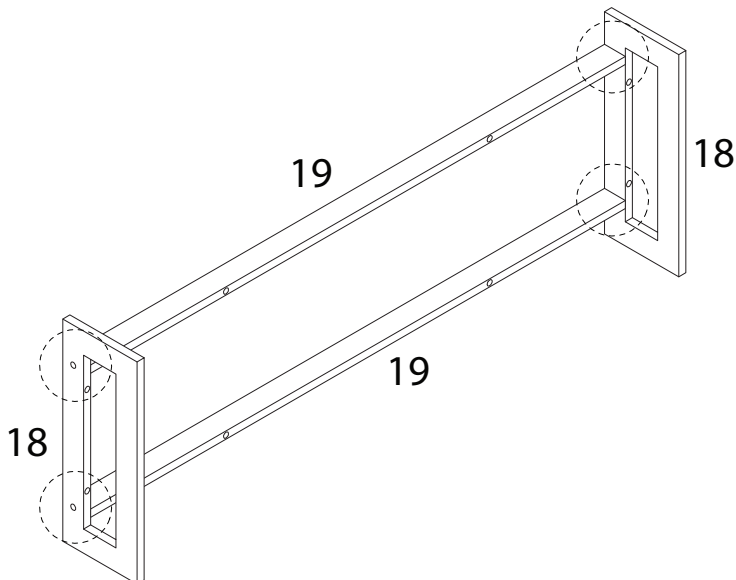


x 4

L



x 1

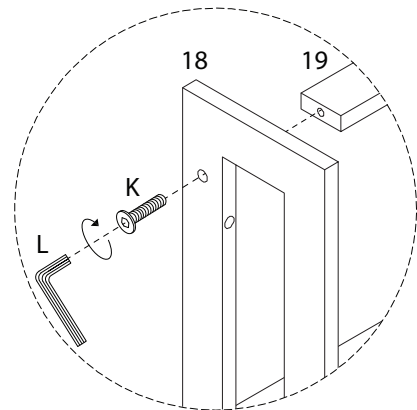


19

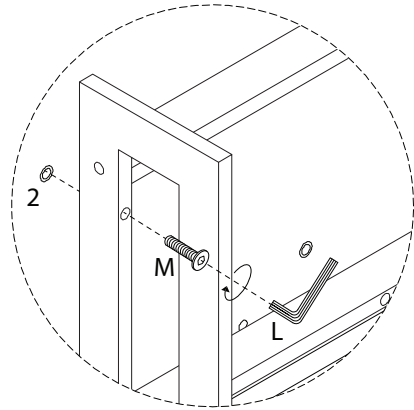
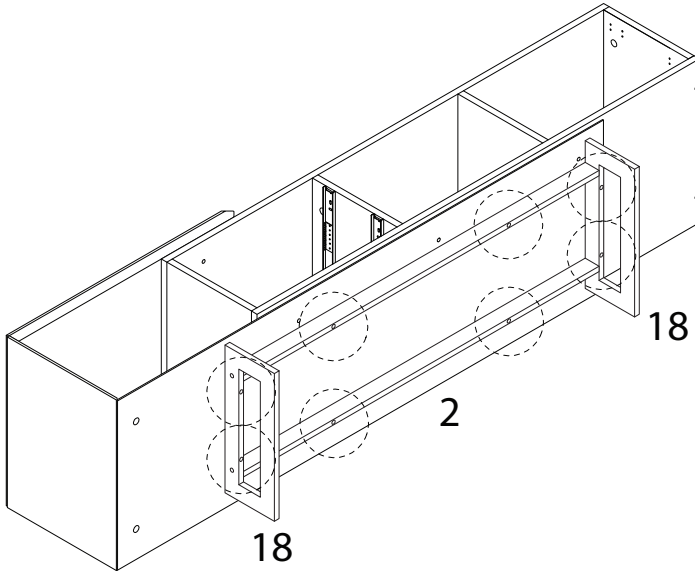
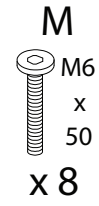
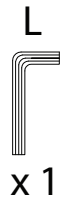
18

19

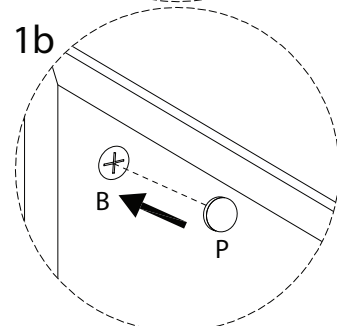
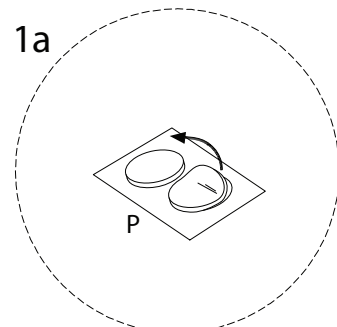
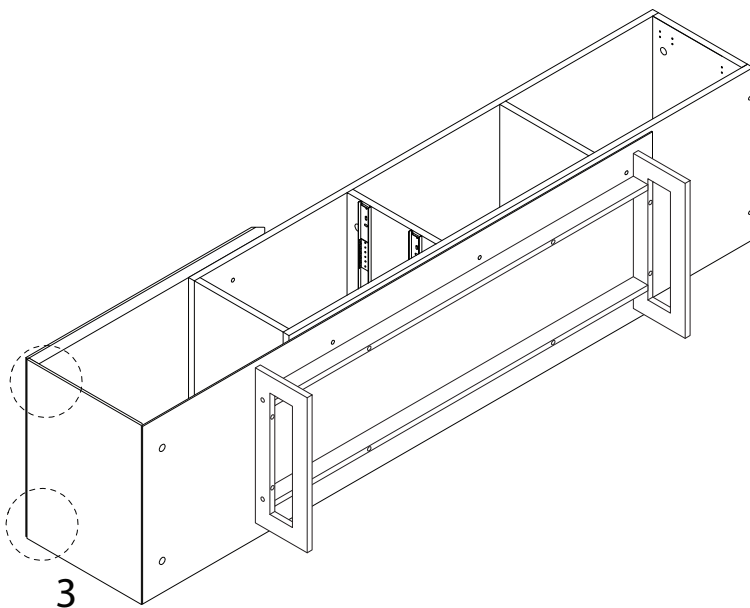
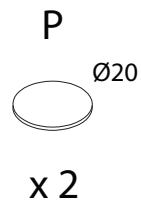
18



18



19



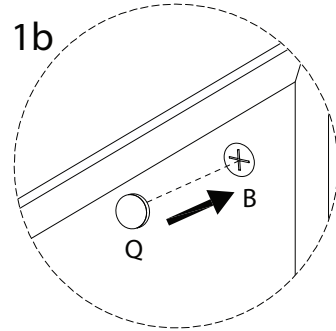
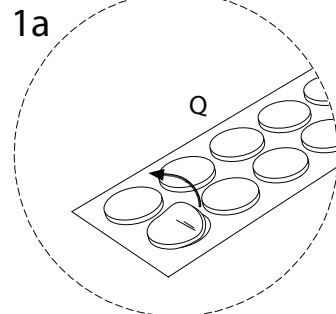
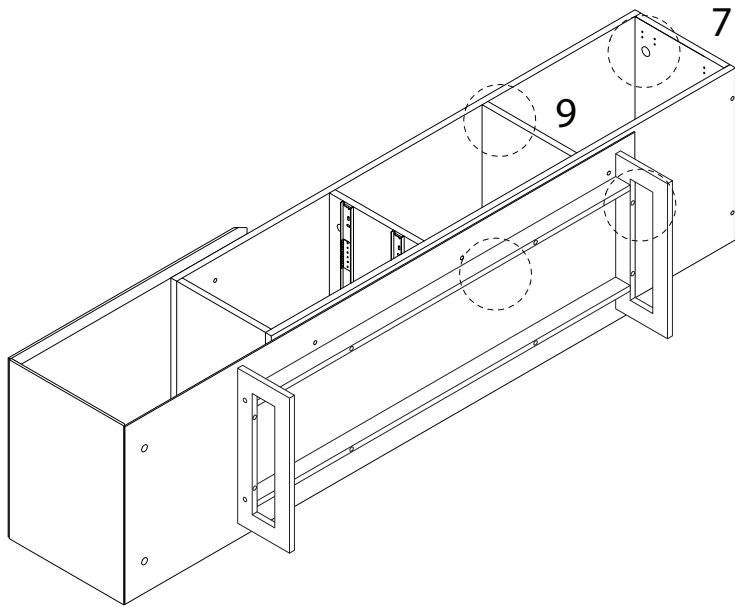
20

Q

Ø20

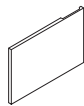


x 4



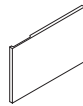
21

11



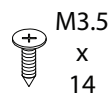
x 1

12



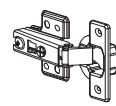
x 1

E

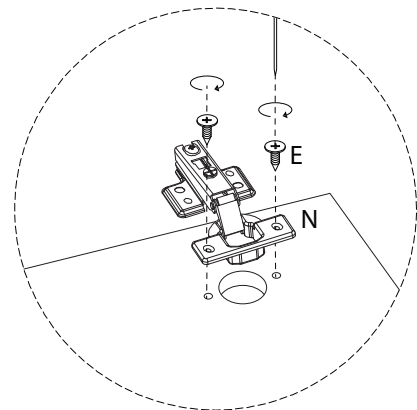
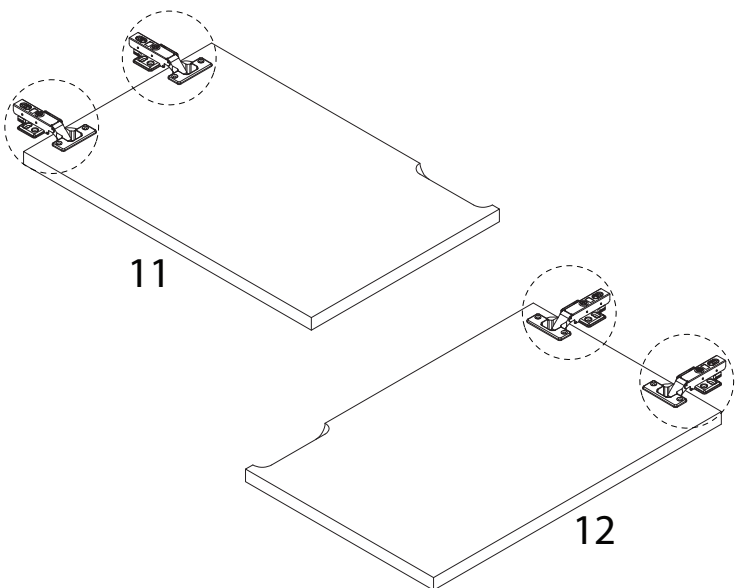


x 8

N



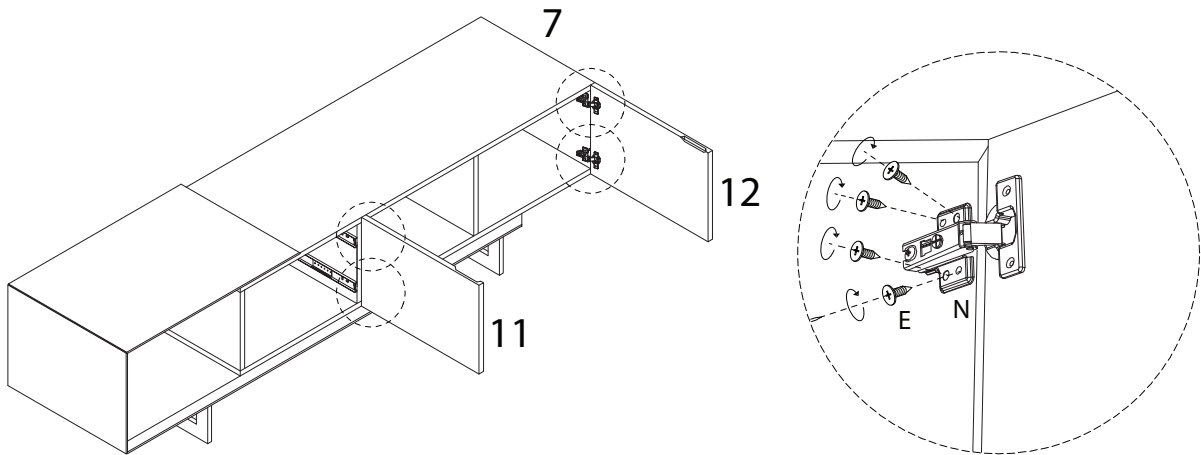
x 4



22

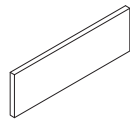
E

M3.5
x
14
x 16



23 x 2

13

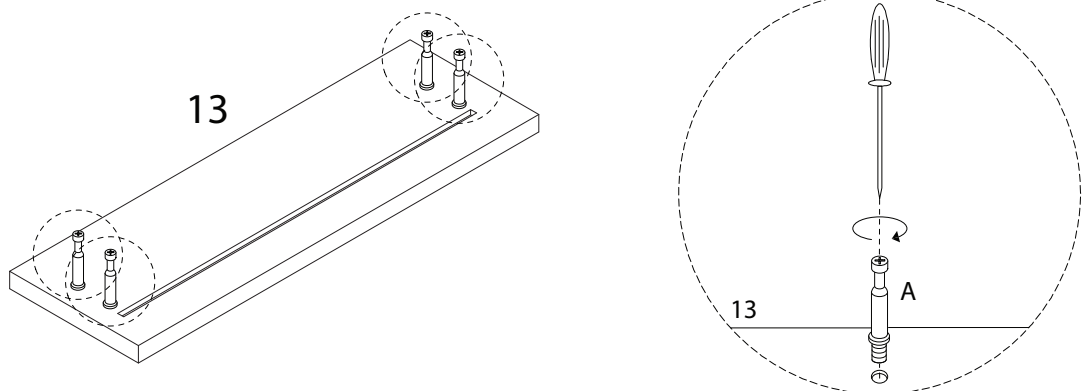


x 1

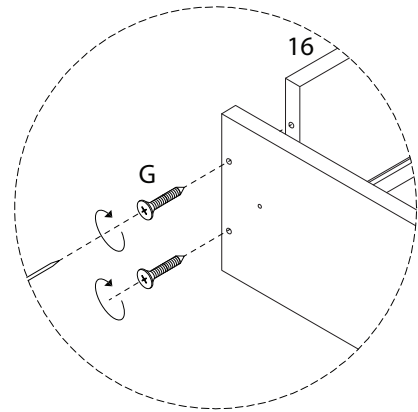
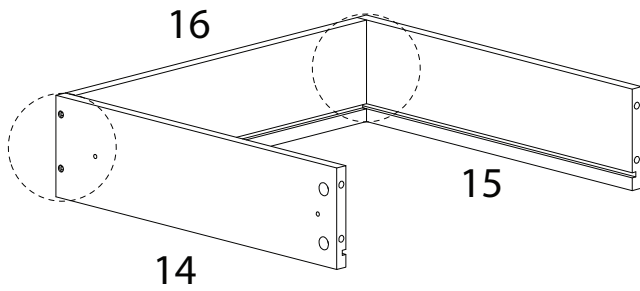
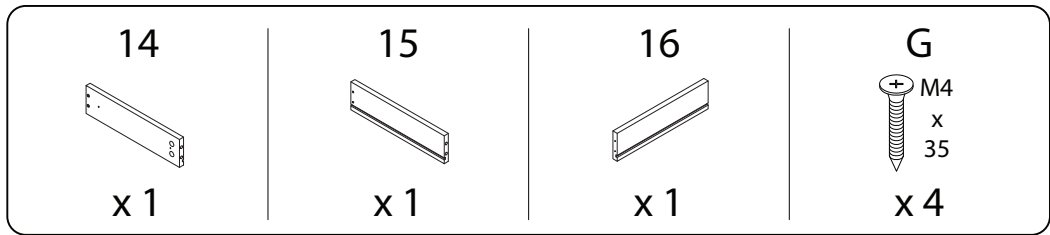
A



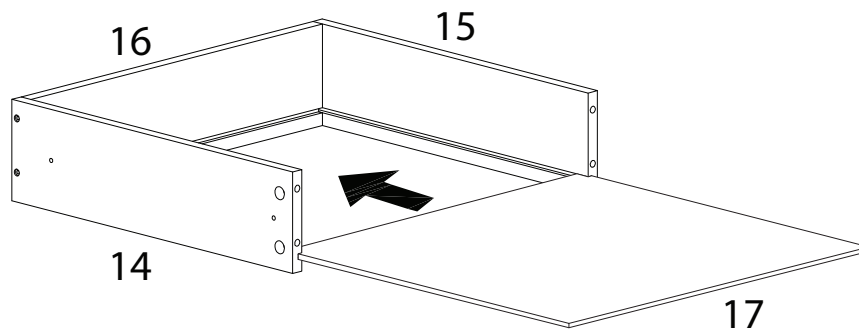
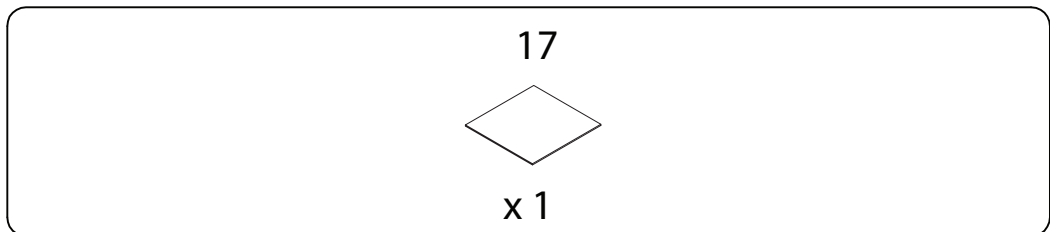
x 4



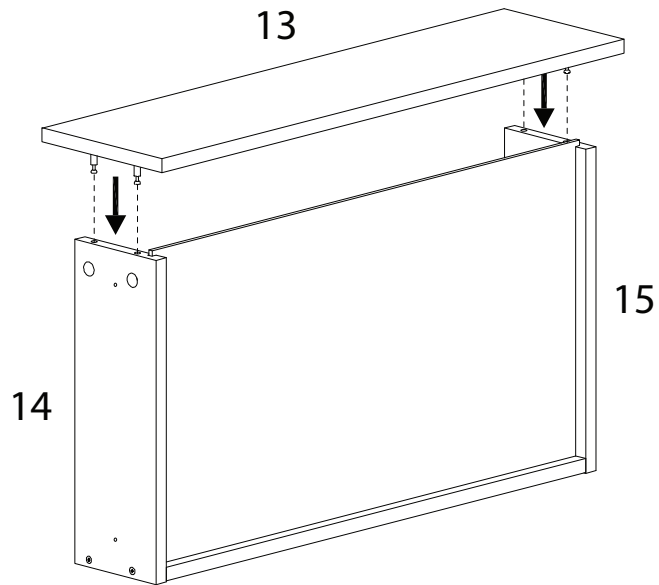
24 x 2



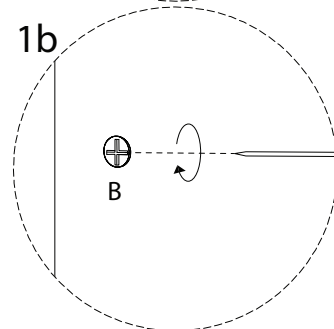
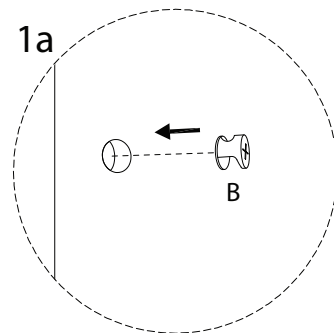
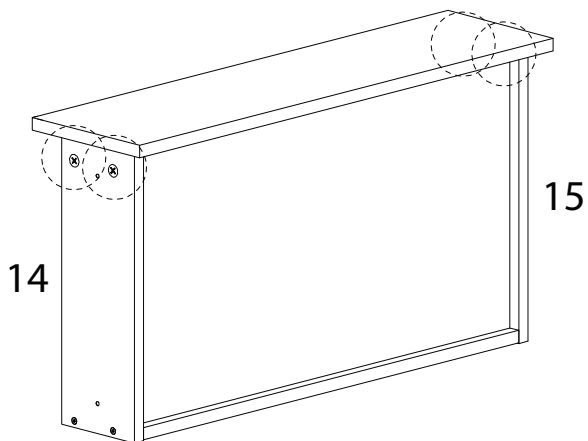
25 x 2



26 x 2

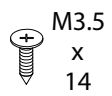


27 x 2



28 x 2

E

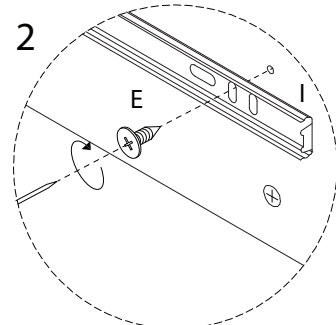
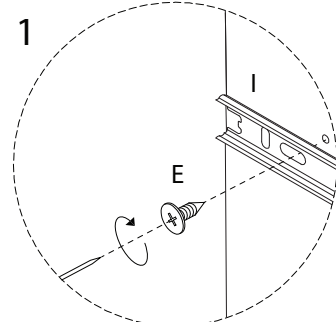
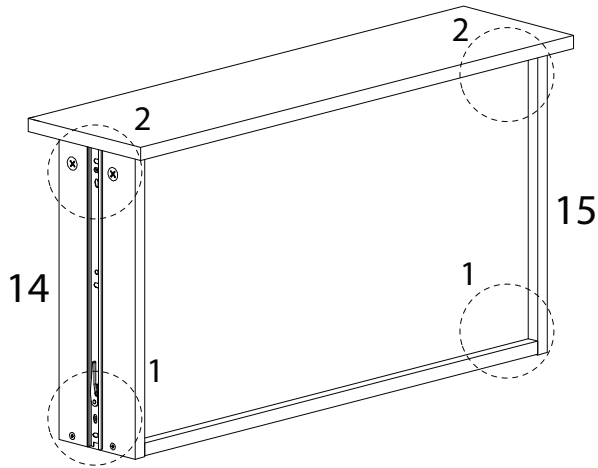


x 4

I



x 2



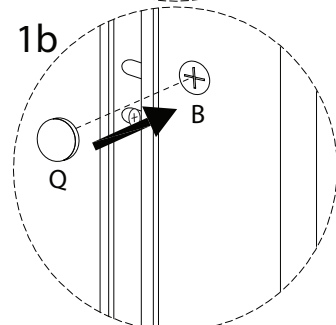
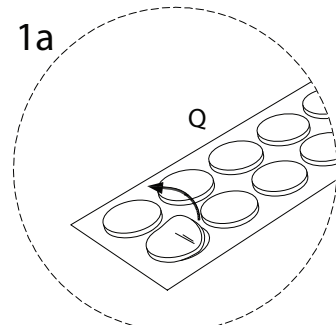
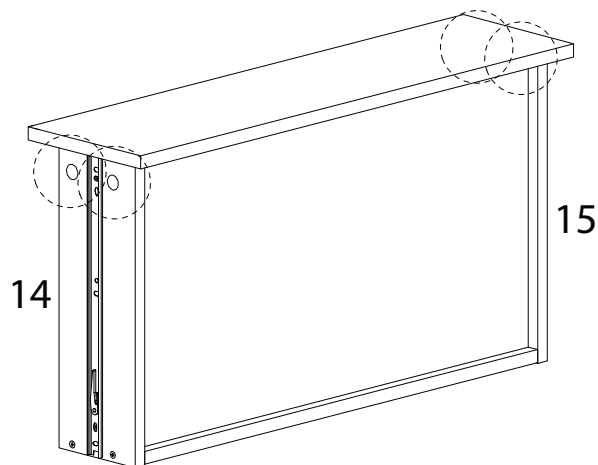
29 x 2

Q

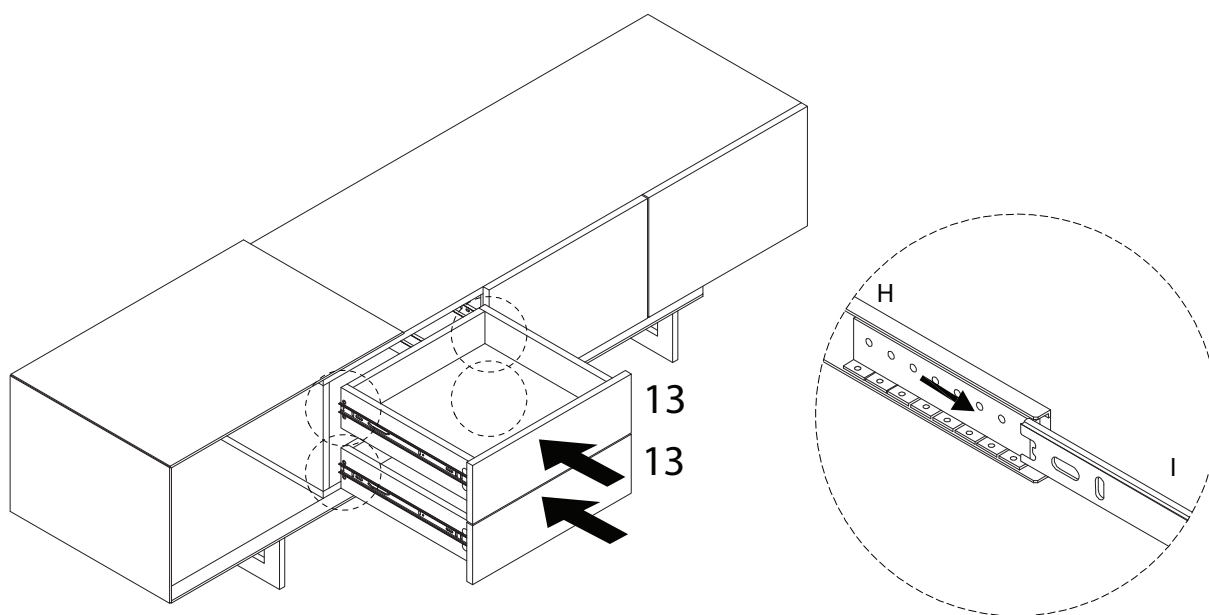
Ø20



x 4



30



31

