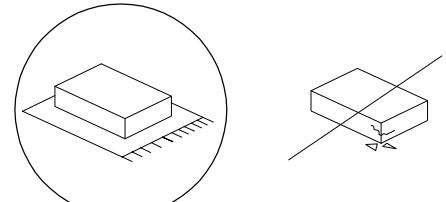
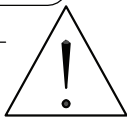

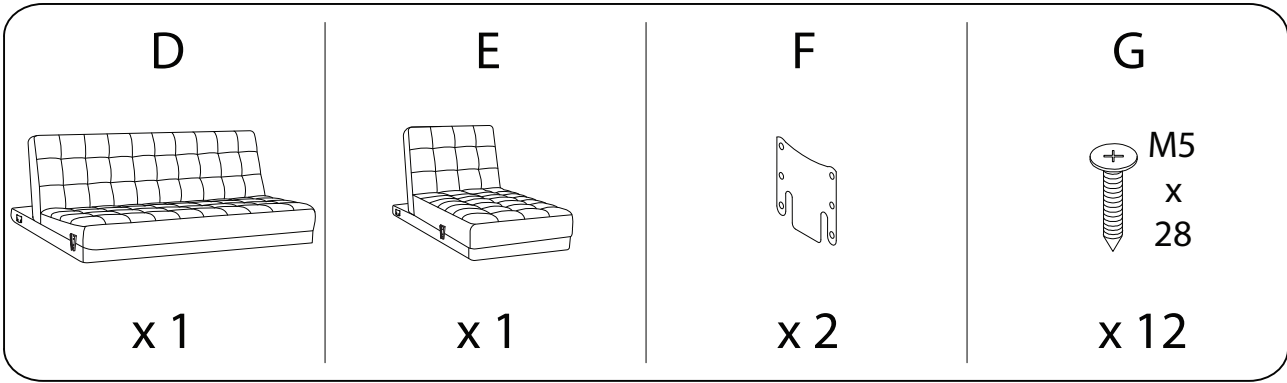
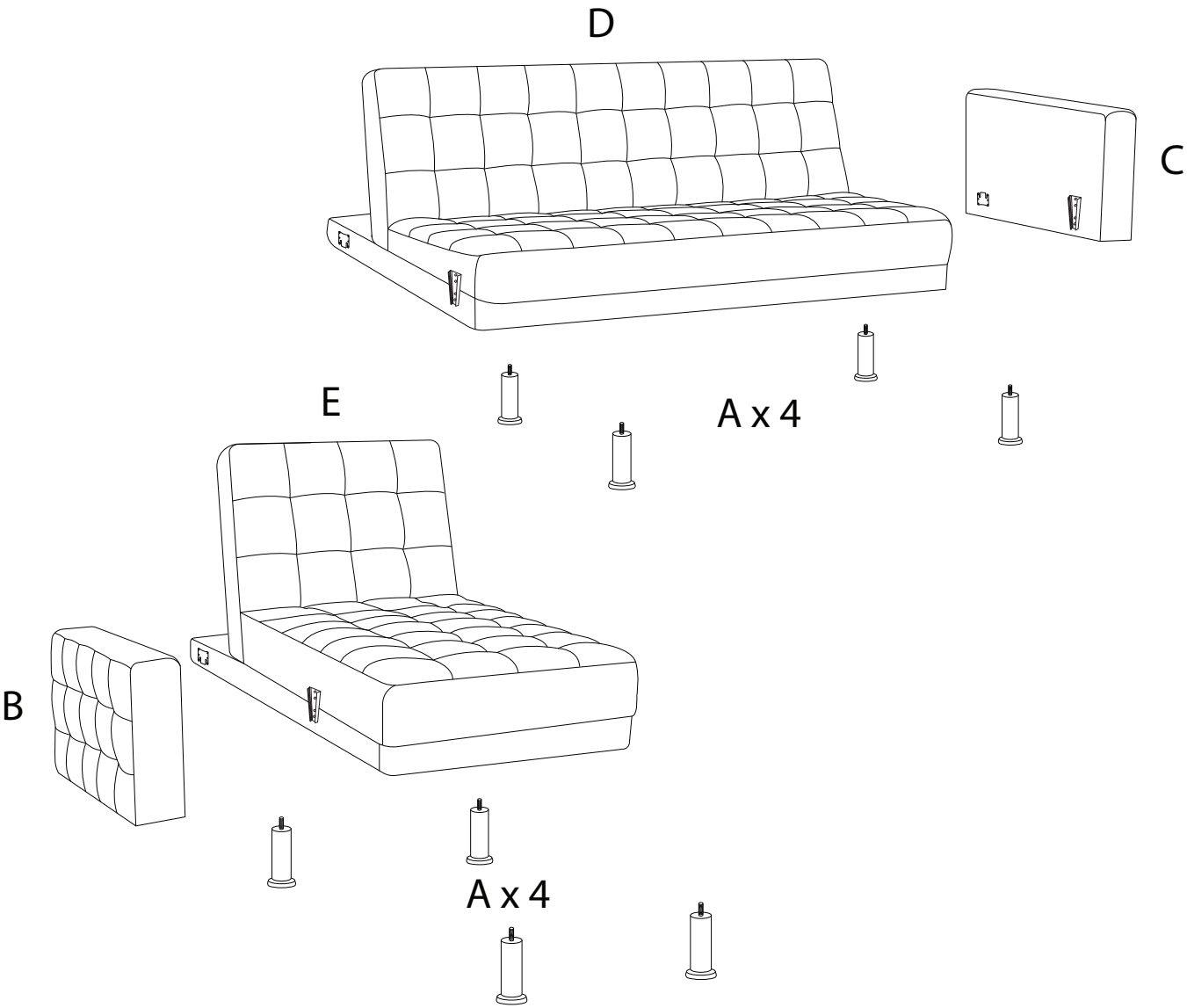
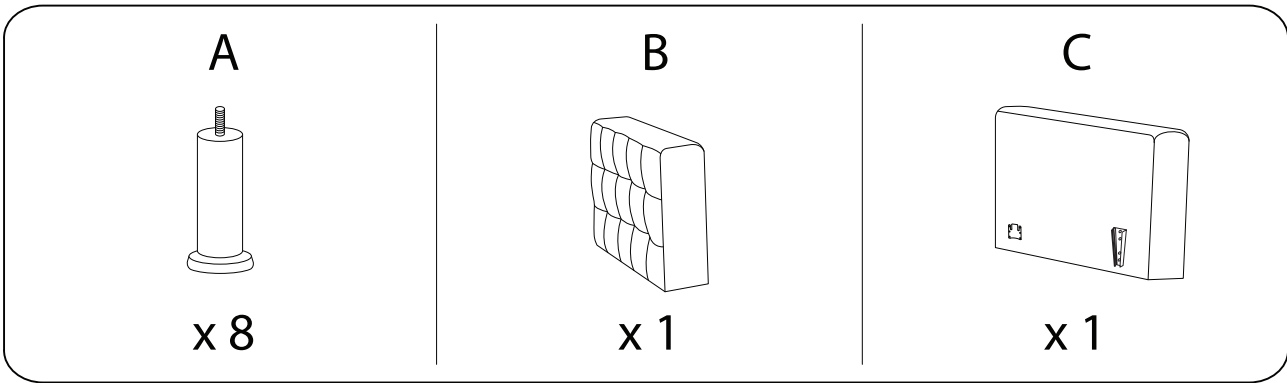
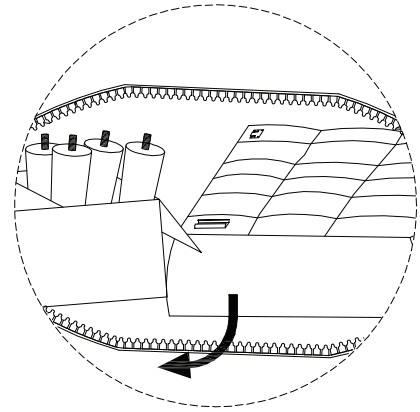
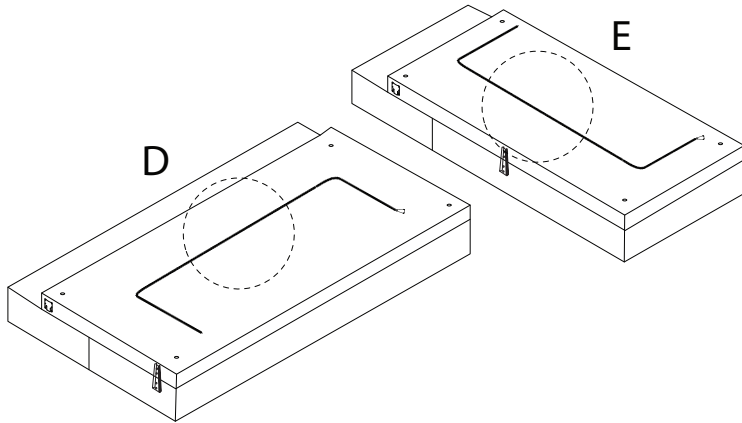
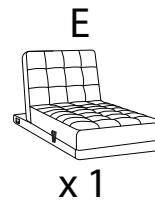
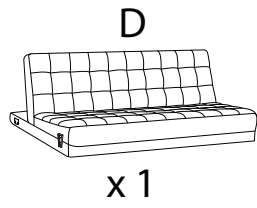
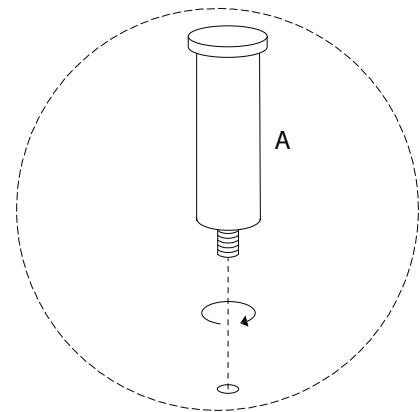
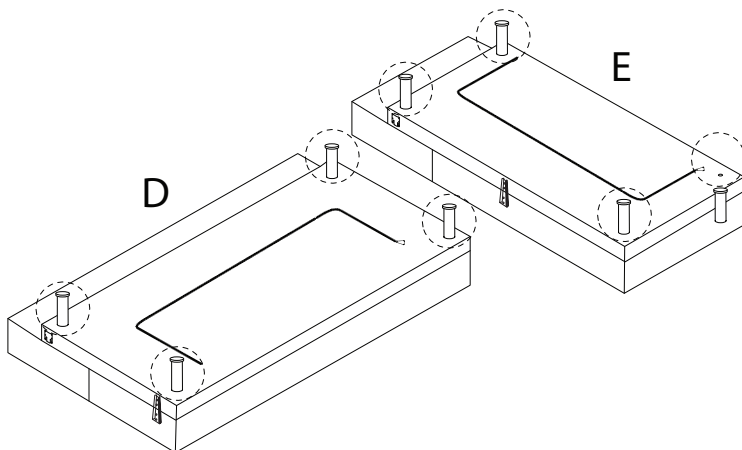
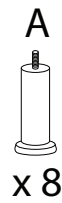

		20'
		
		1



1

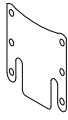


2



3

F

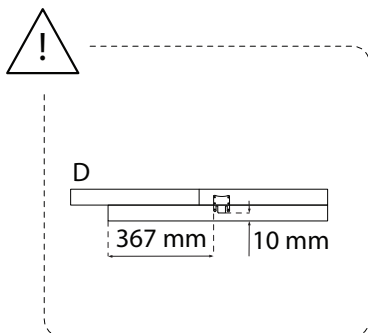
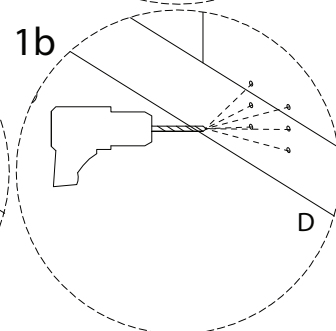
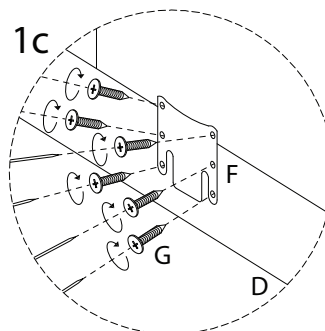
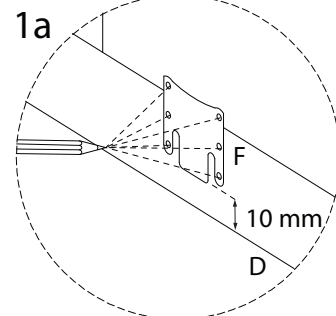
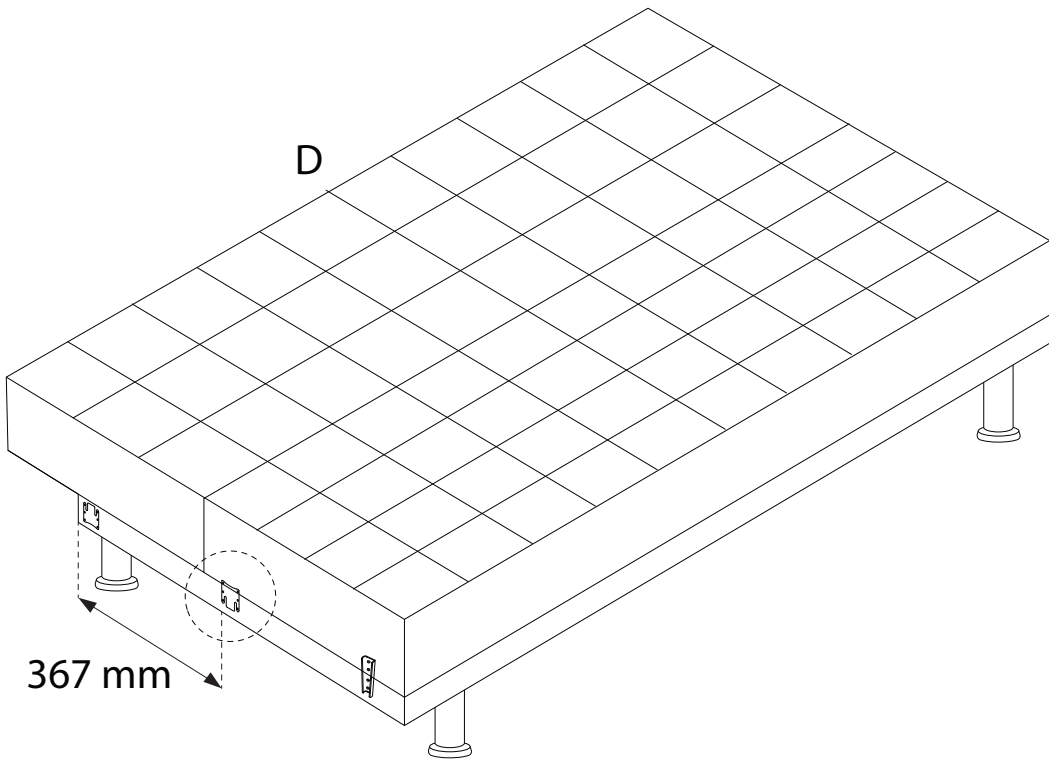


x 1

G



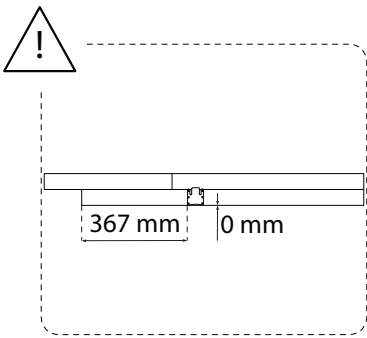
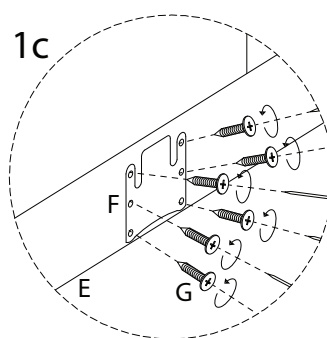
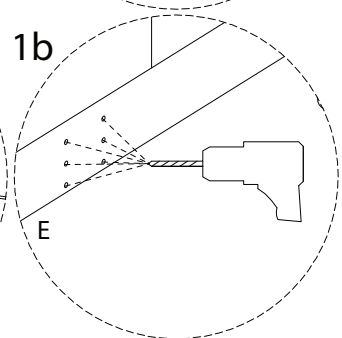
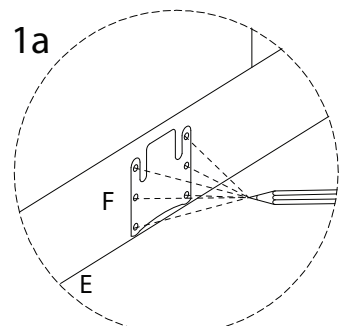
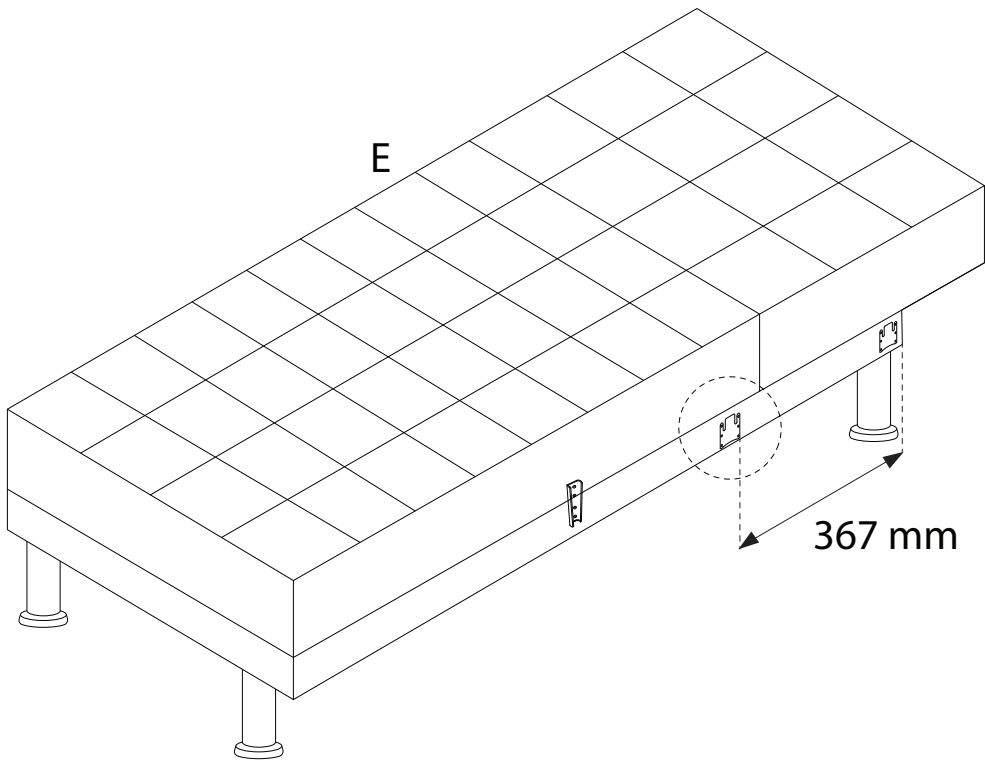
x 6



4

F
x 1

G
M5
x
28
x 6



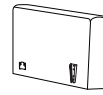
5

B

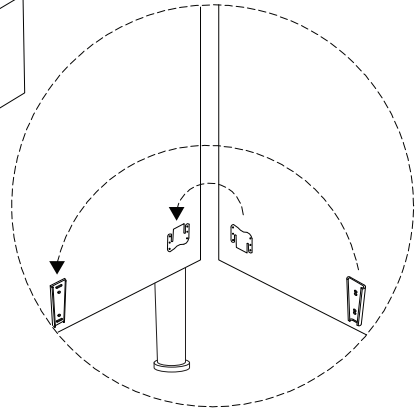
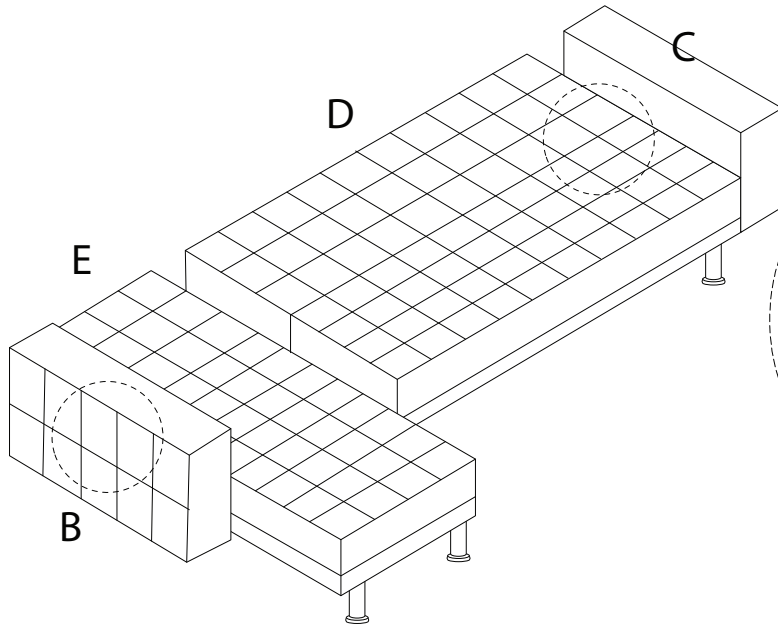


x 1

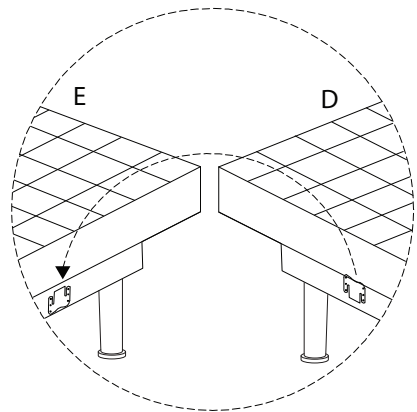
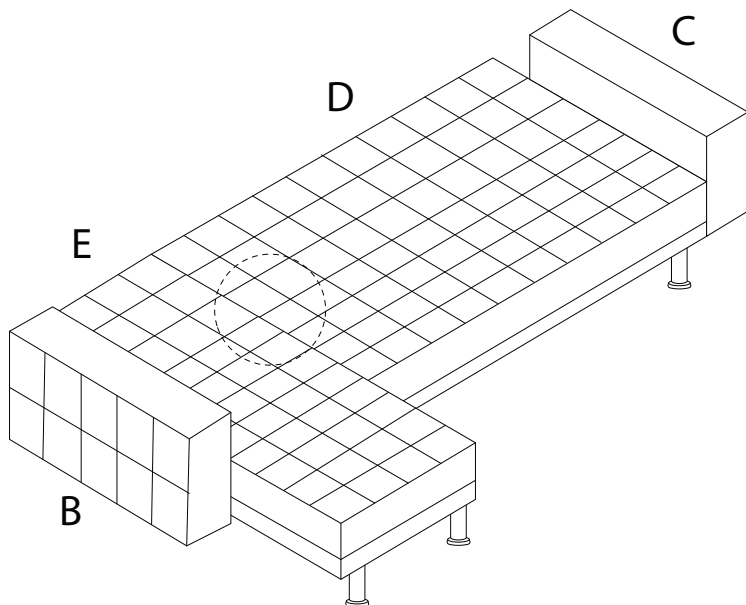
C



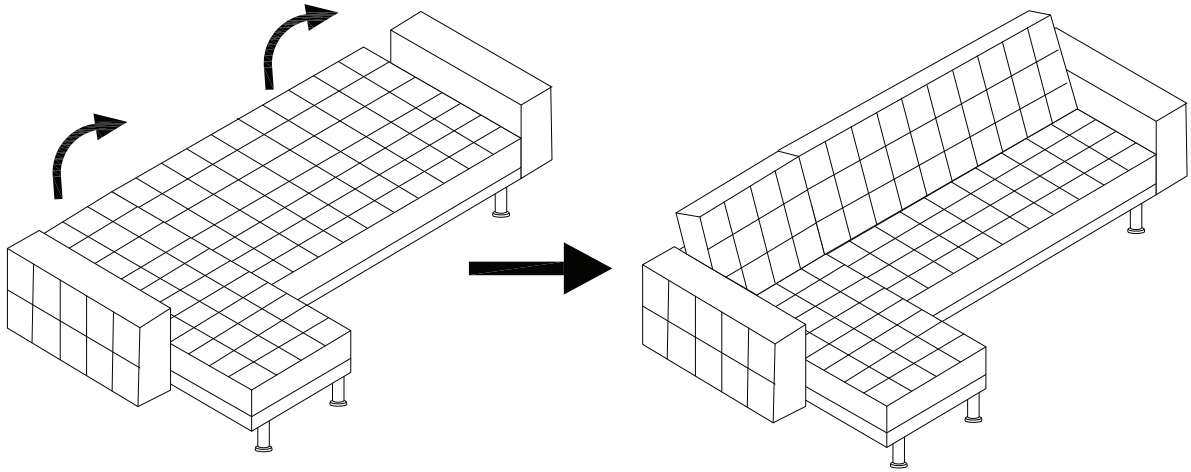
x 1



6



7



!

