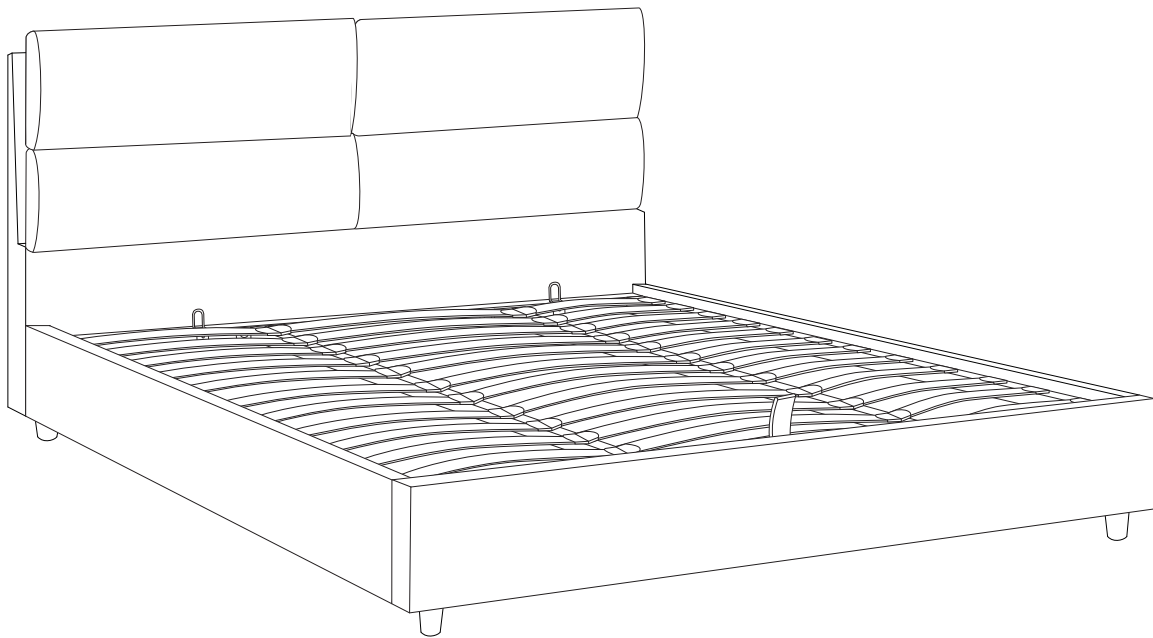
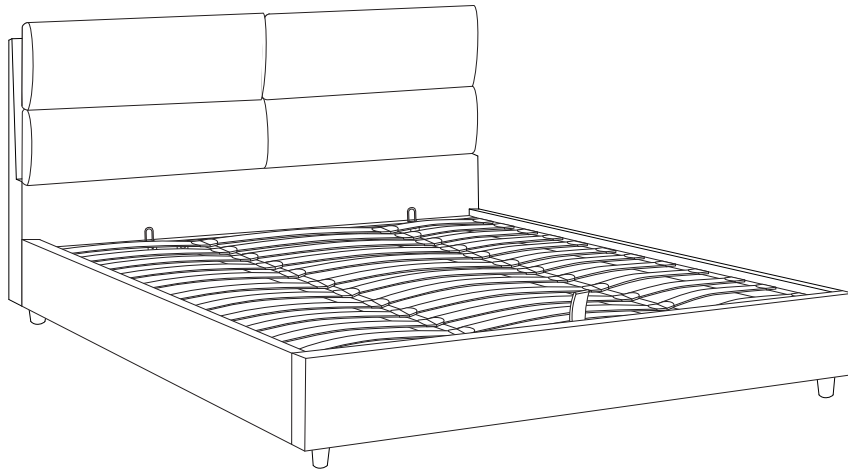
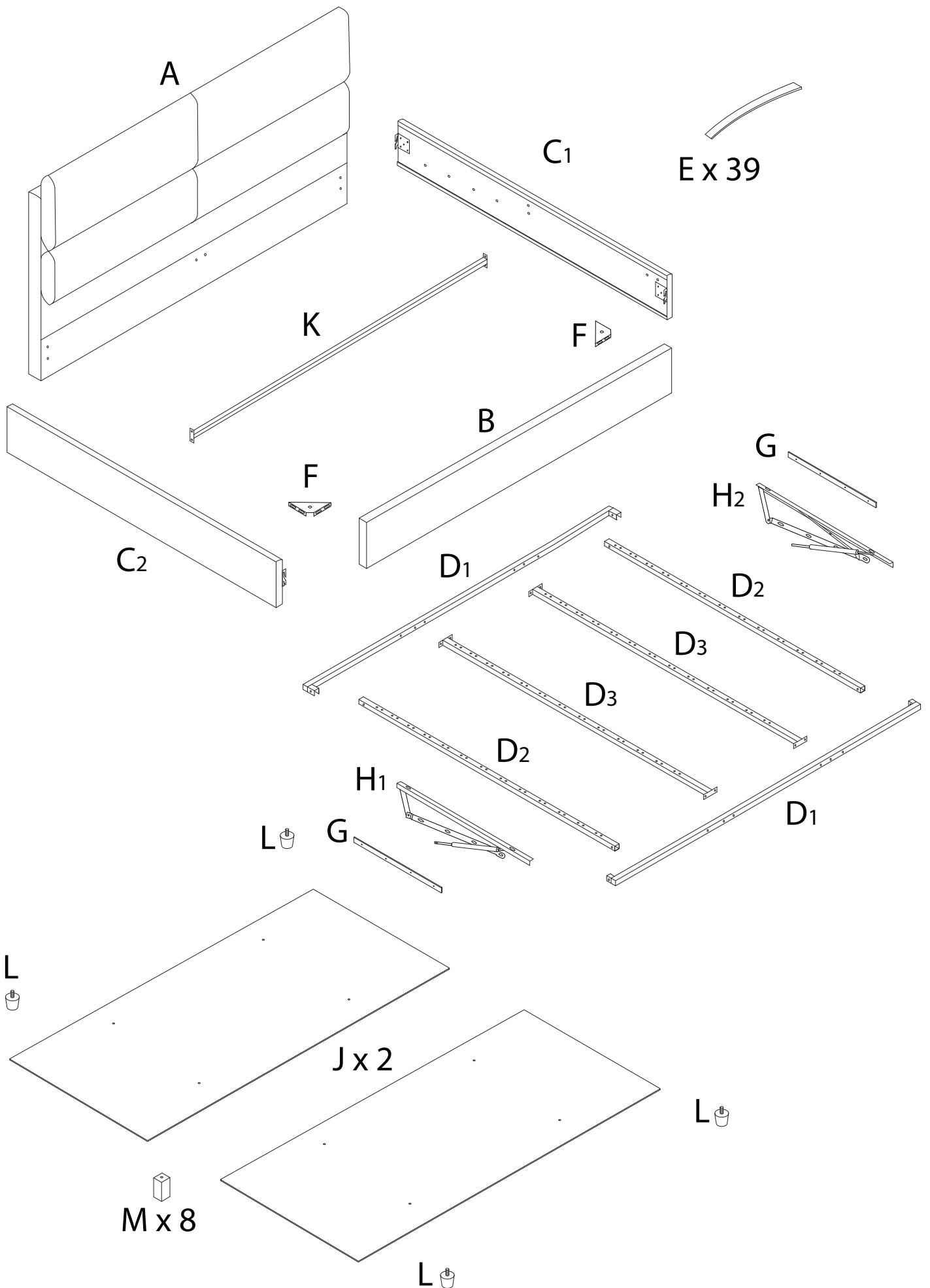


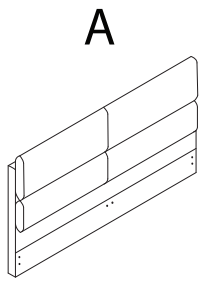
BATILLY



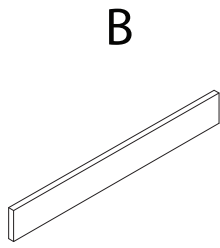


A circular icon containing a screwdriver and an L-shaped bracket. To the right of this circle is a power drill with a diagonal line through it, indicating it should not be used.	A warning triangle with an exclamation mark inside.	A simple clock face with tick marks around the perimeter.
<p>60'</p>		
A circular icon showing a mattress on a slatted base. To the right is a mattress on a solid rectangular base with a diagonal line through it, indicating this is not the correct setup.	A warning triangle with an exclamation mark inside.	A simple line drawing of a person.
<p>2</p>		

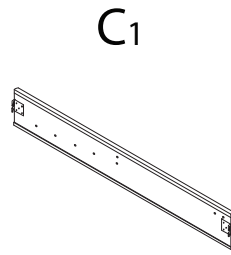




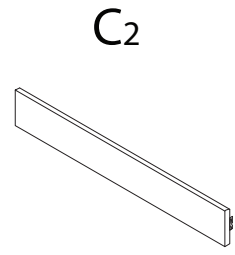
x 1



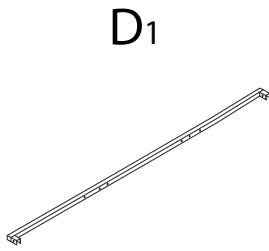
x 1



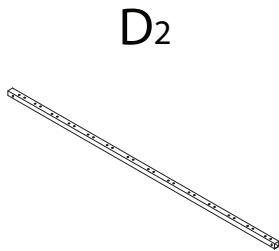
x 1



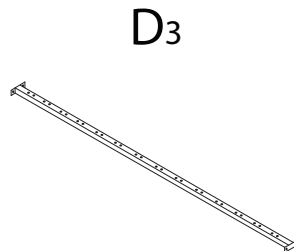
x 1



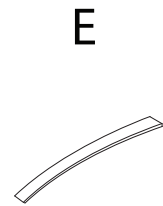
x 2



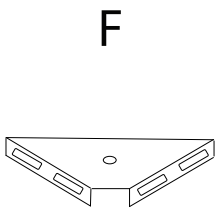
x 2



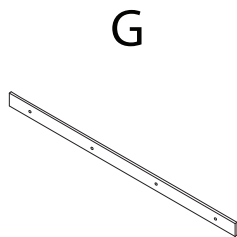
x 2



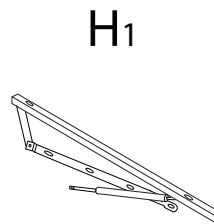
x 39



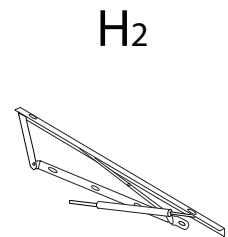
x 2



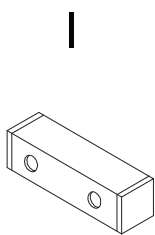
x 2



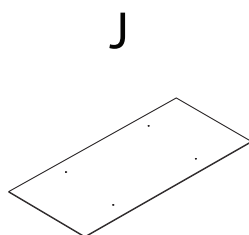
x 1



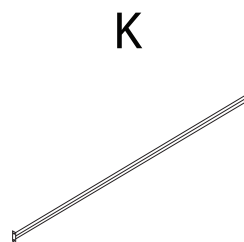
x 1



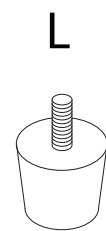
x 2



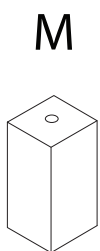
x 2



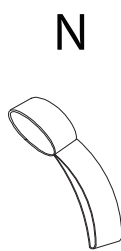
x 1



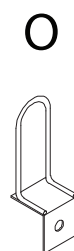
x 4



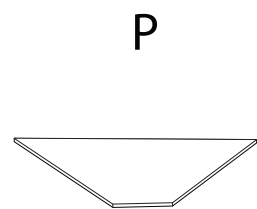
x 8



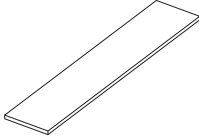
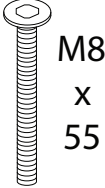
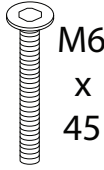
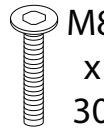
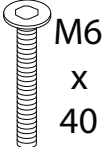

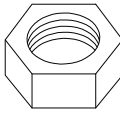
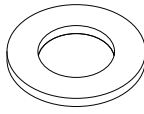
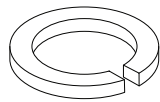

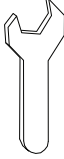
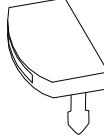
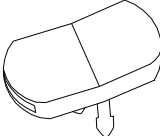

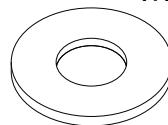
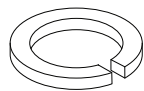
x 1



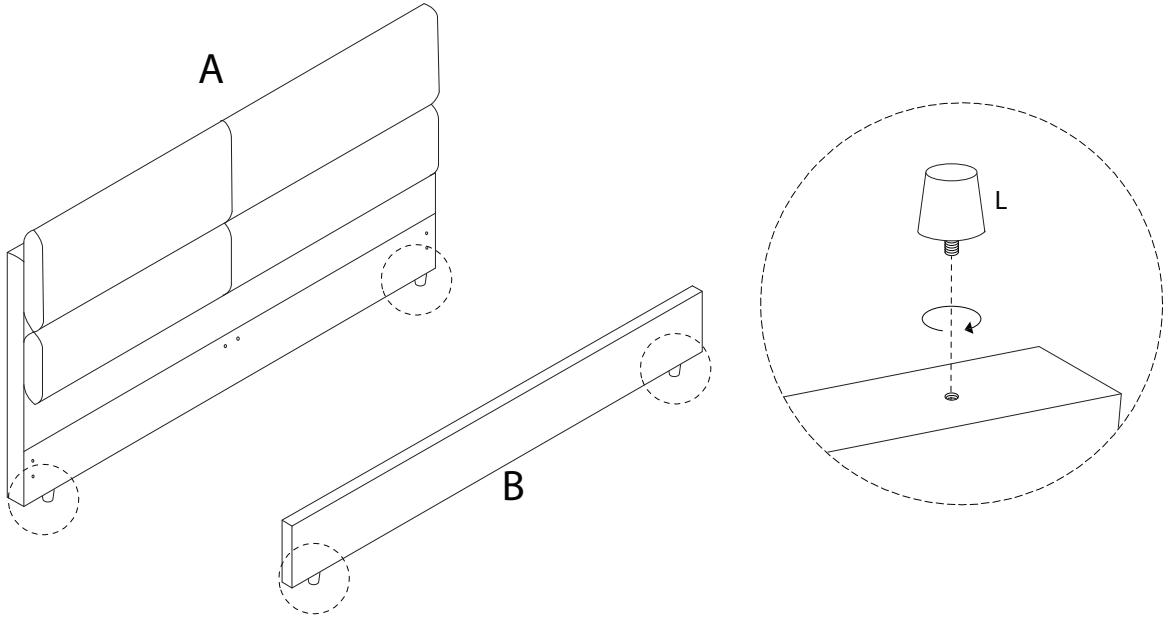
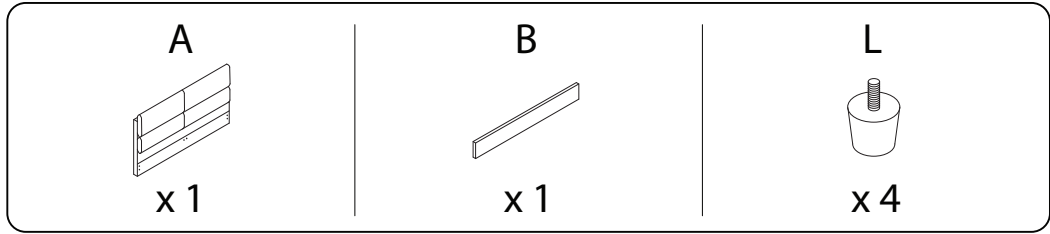
x 2



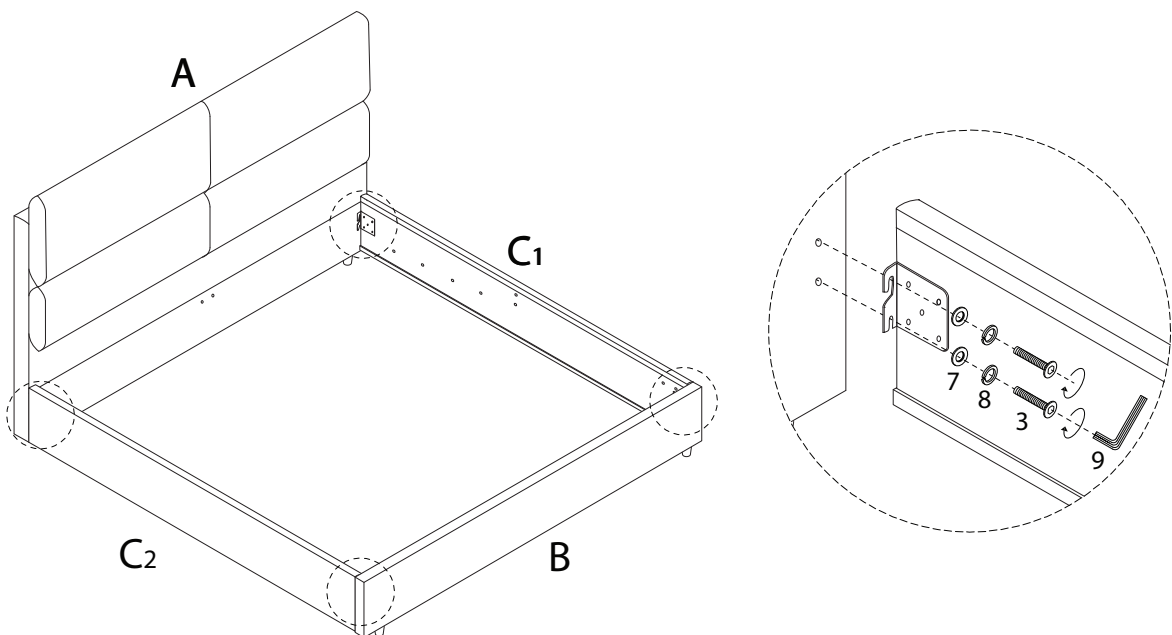
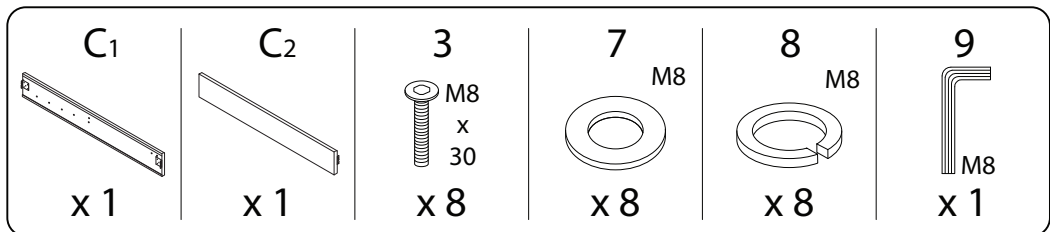
x 2

<p>Q</p>  <p>x 4</p>	<p>1</p>  <p>M8 x 55</p> <p>x 4</p>	<p>2</p>  <p>M6 x 45</p> <p>x 18</p>	<p>3</p>  <p>M8 x 30</p> <p>x 16</p>
<p>4</p>  <p>M6 x 40</p> <p>x 8</p>	<p>5</p>  <p>M8 x 20</p> <p>x 12</p>	<p>6</p>  <p>x 18</p>	<p>7</p>  <p>M8</p> <p>x 38</p>
<p>8</p>  <p>M8</p> <p>x 30</p>	<p>9</p>  <p>M8</p> <p>x 1</p>	<p>10</p>  <p>x 1</p>	<p>11</p>  <p>x 26</p>
<p>12</p>  <p>x 26</p>	<p>13</p>  <p>M6</p> <p>x 1</p>	<p>14</p>  <p>M6</p> <p>x 20</p>	<p>15</p>  <p>M6</p> <p>x 20</p>

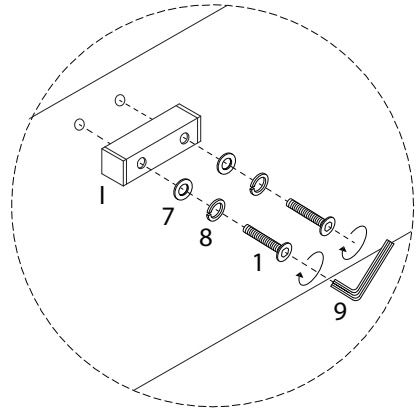
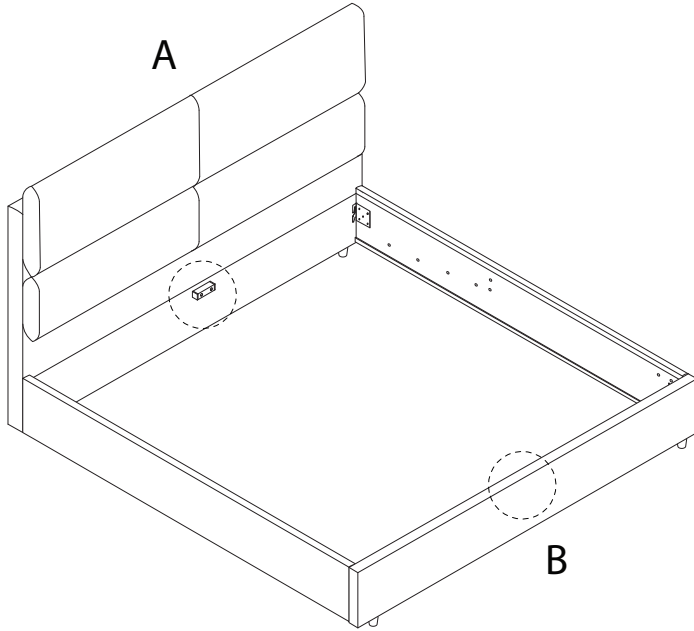
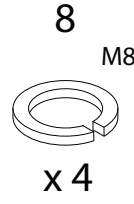
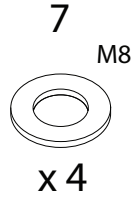
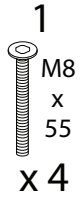
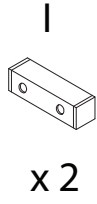
1



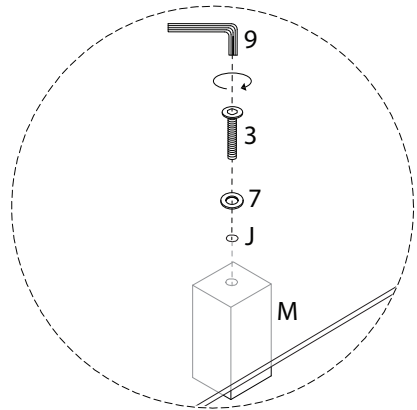
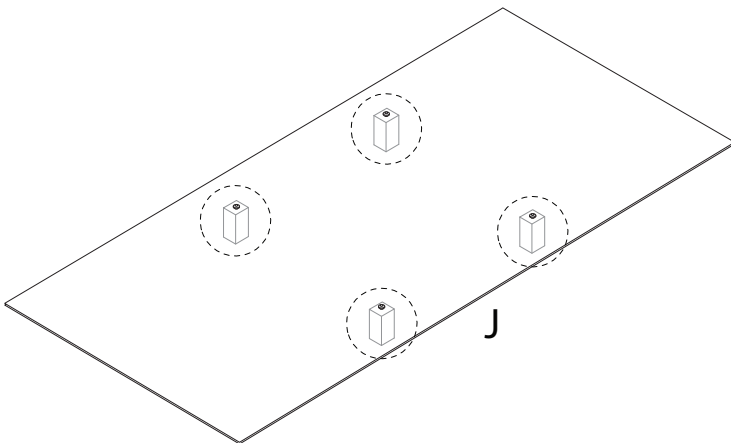
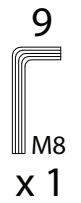
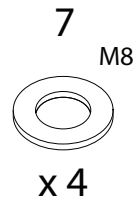
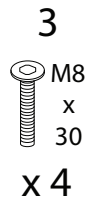
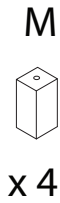
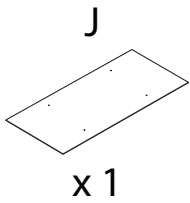
2



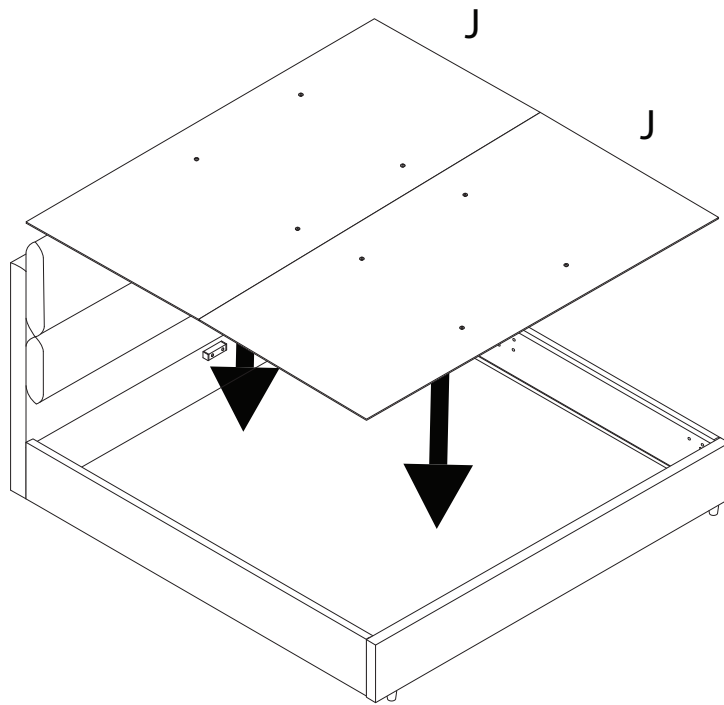
3



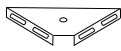

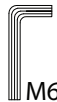

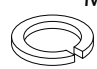
4 x 2

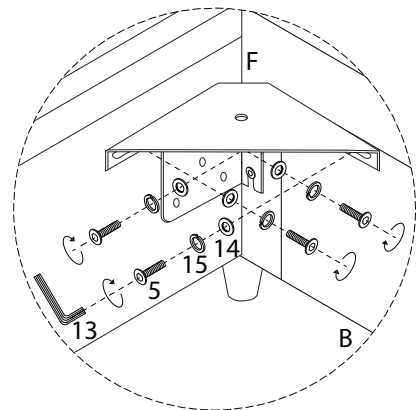
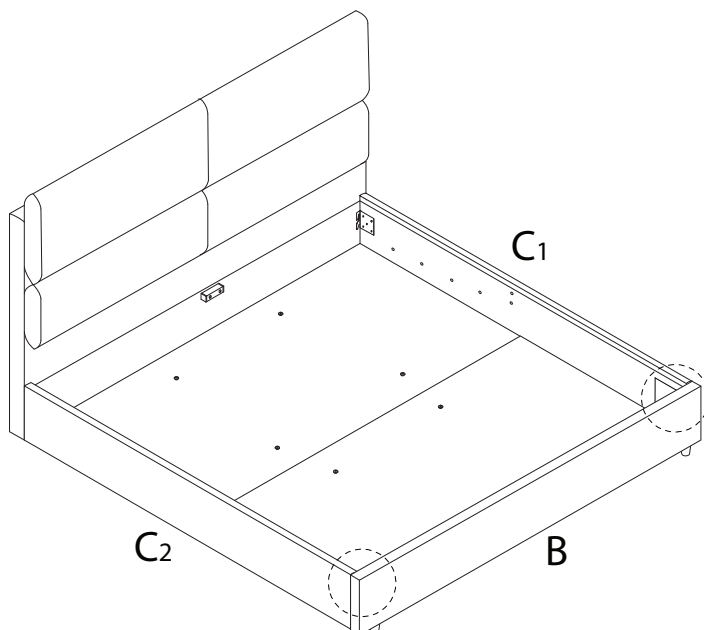


5

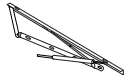



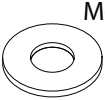
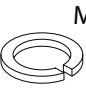


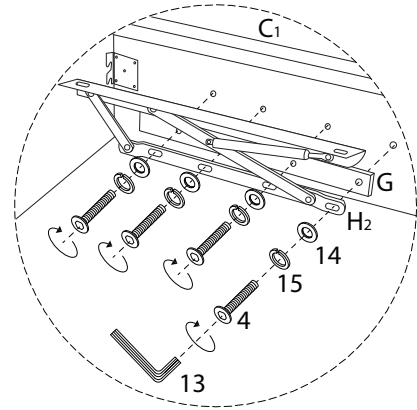
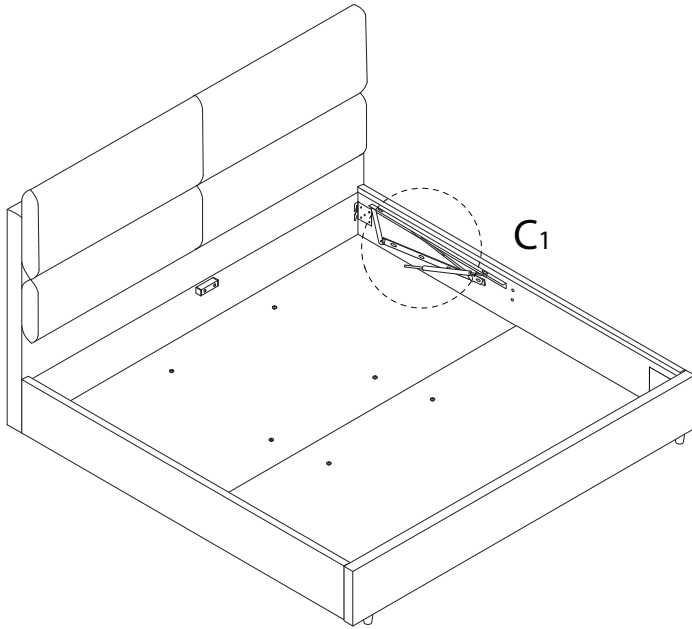
6

F	5	13	14	15
				
x 2	x 8	x 1	x 8	x 8

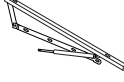



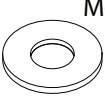
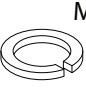


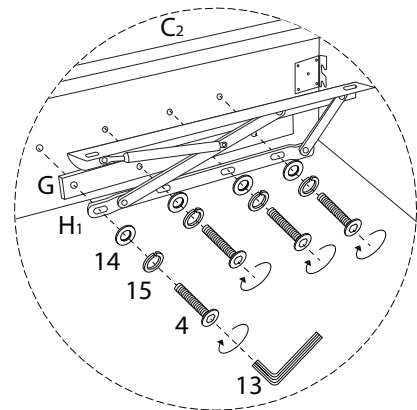
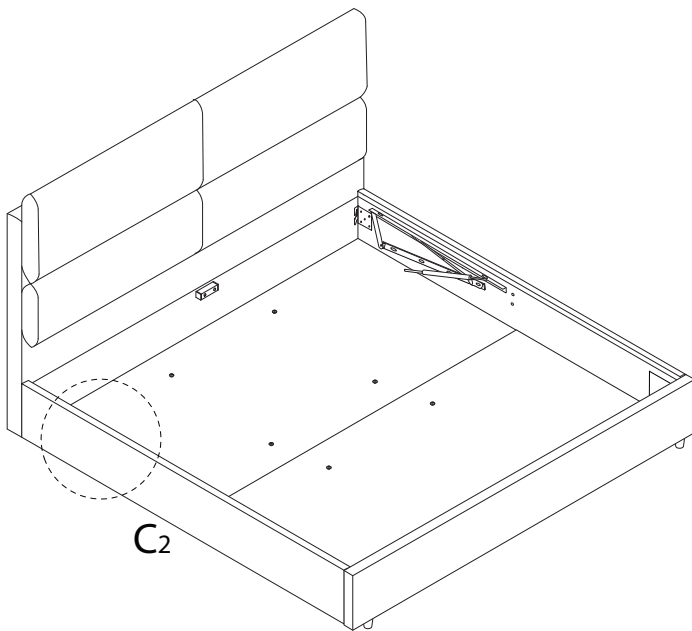
7

H₂  x 1	G  x 1	4  x 8	13  x 1	14  x 8	15  x 8
--	--	--	--	---	---

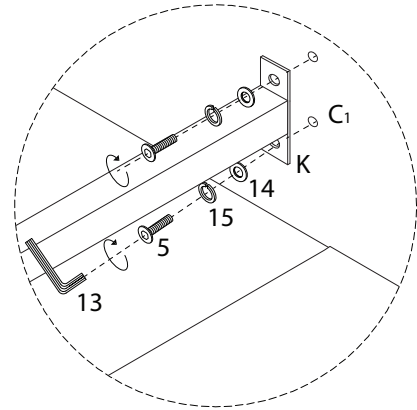
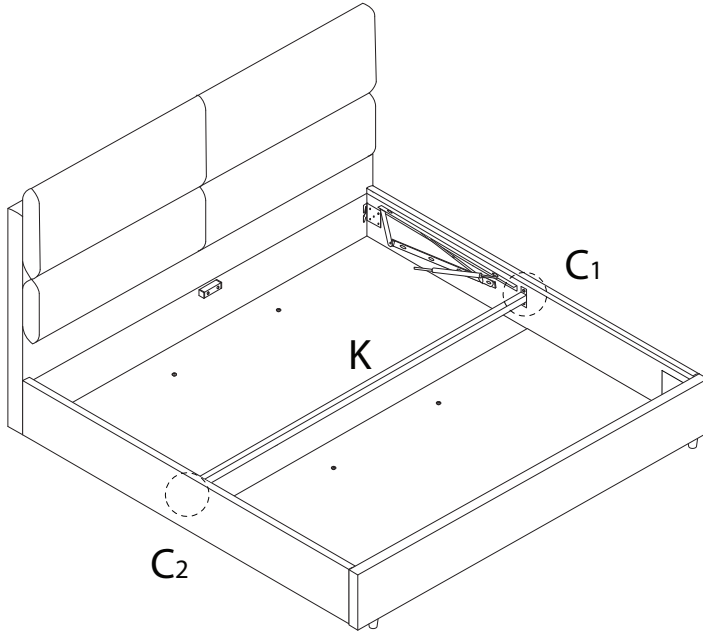
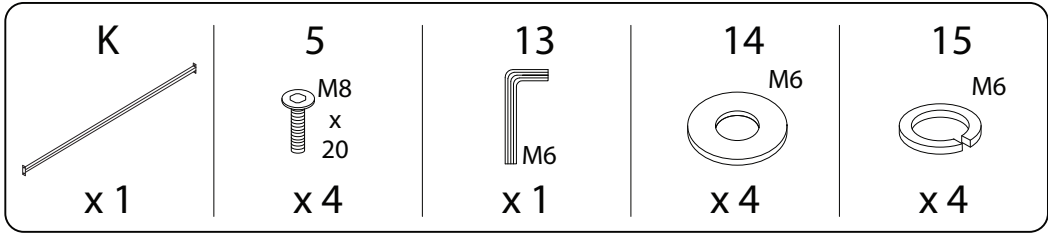


8

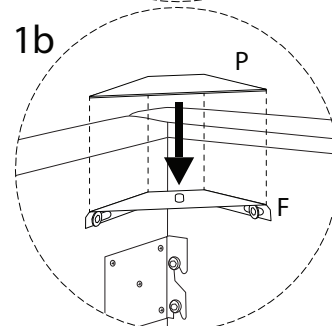
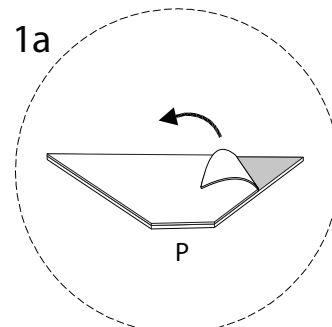
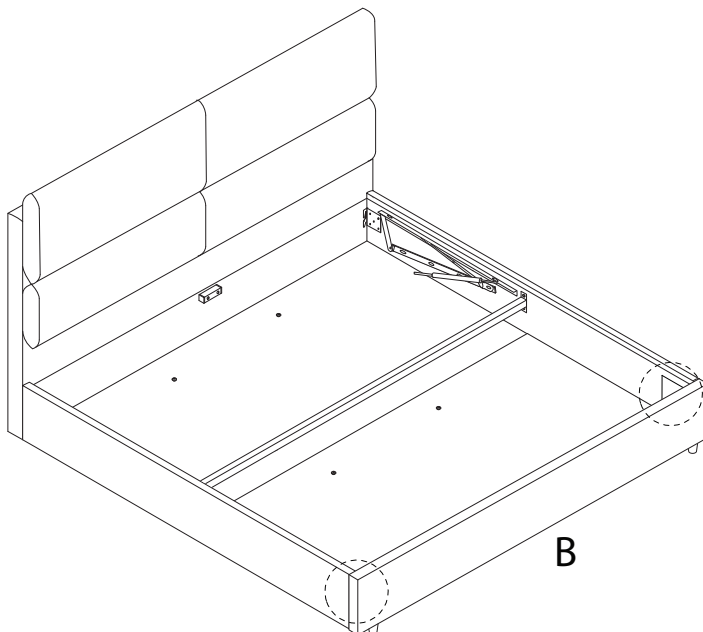
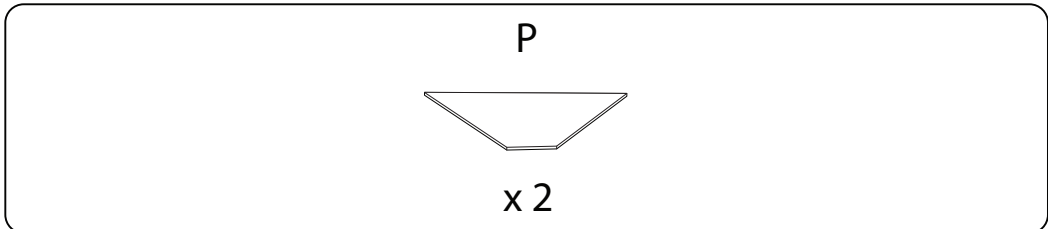
H₁  x 1	G  x 1	4  x 8	13  x 8	14  x 8	15  x 1
--	--	--	--	---	---



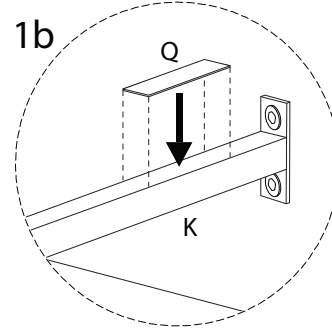
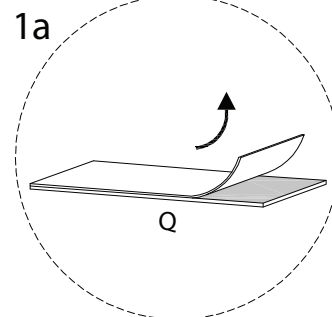
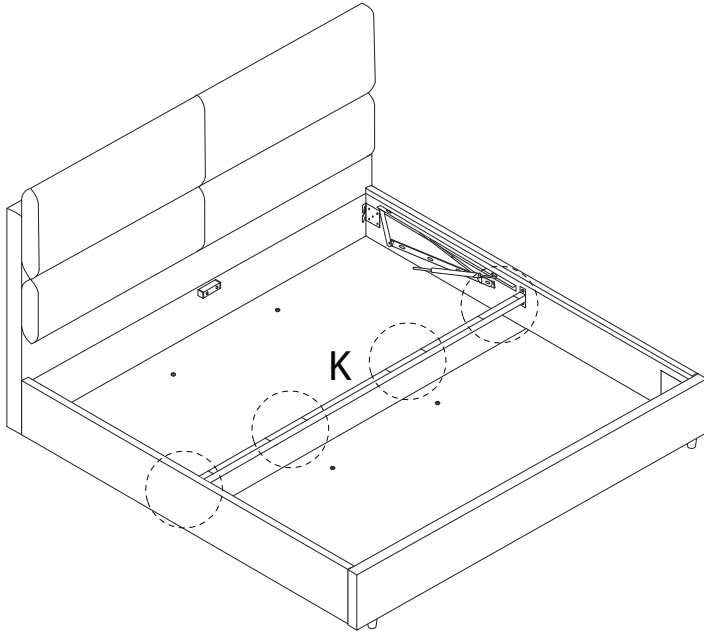
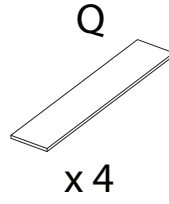
9



10

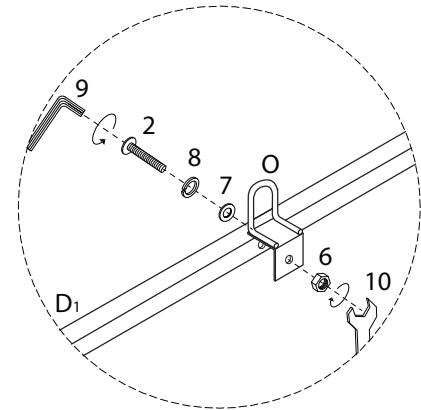
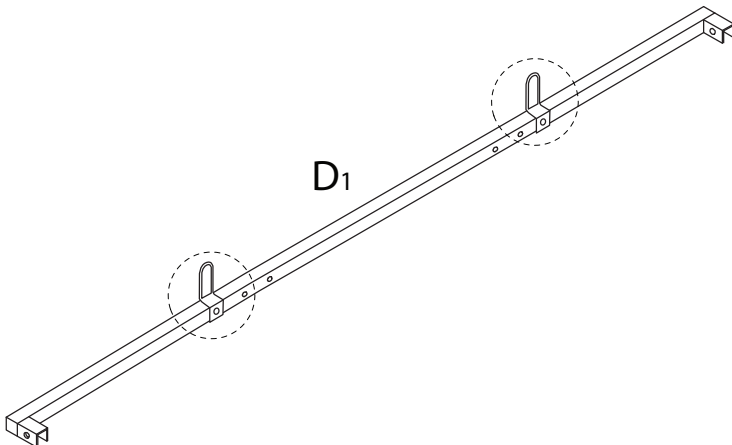


11

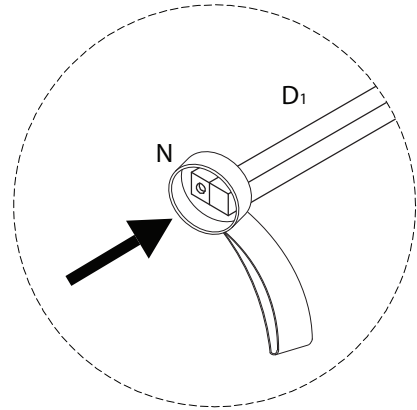
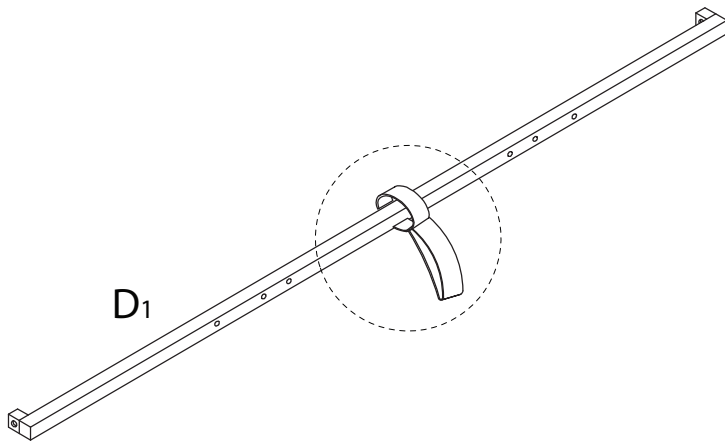
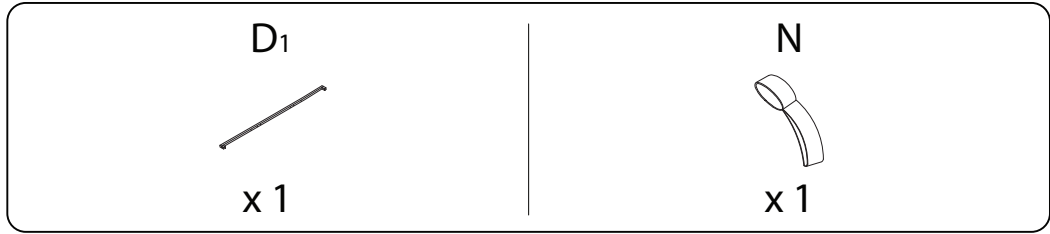


12

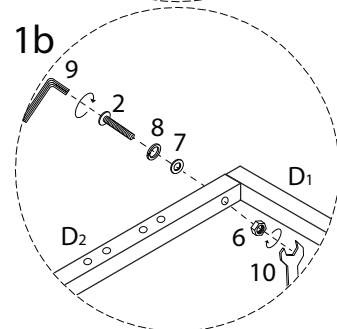
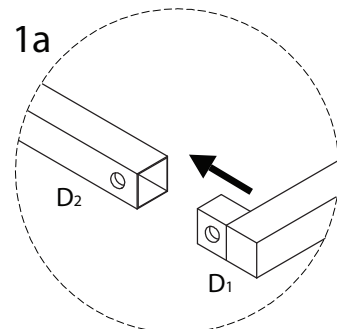
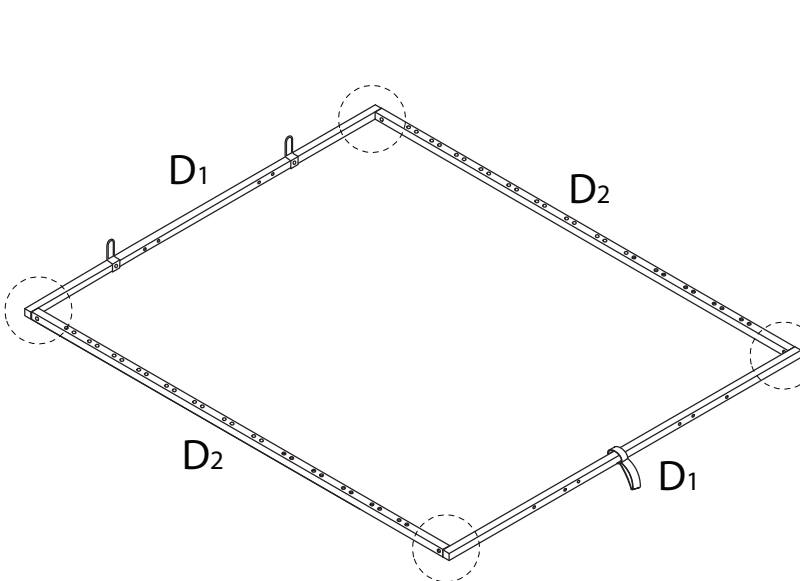
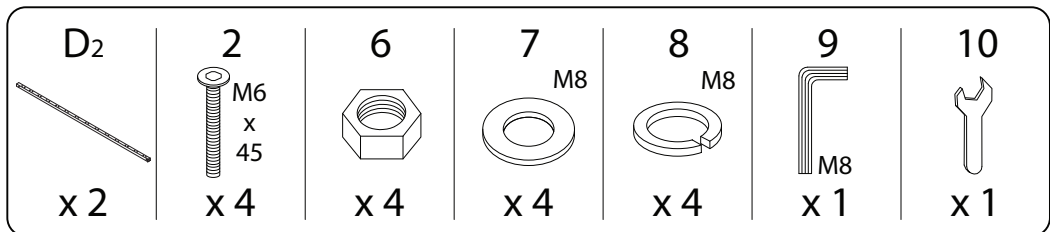
D ₁	O	2	6	7	8	9	10
x 1	x 2	x 2	x 2	x 2	x 2	x 1	x 1




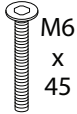
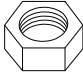

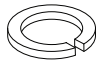
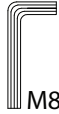

13

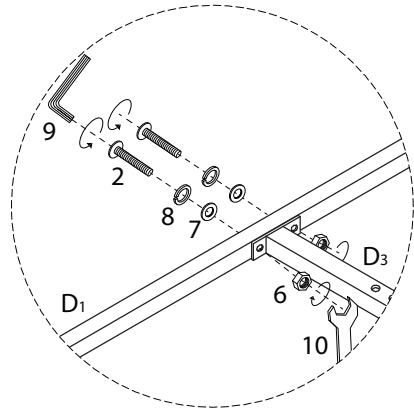
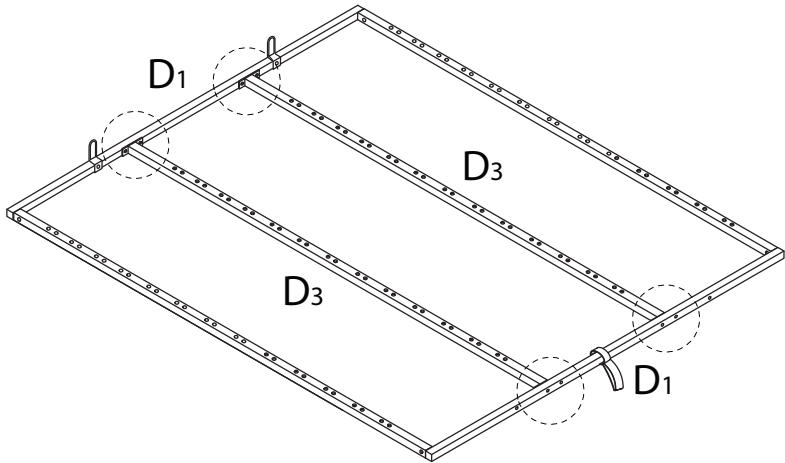


14

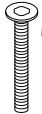
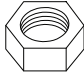
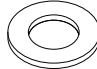
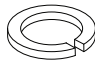
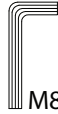



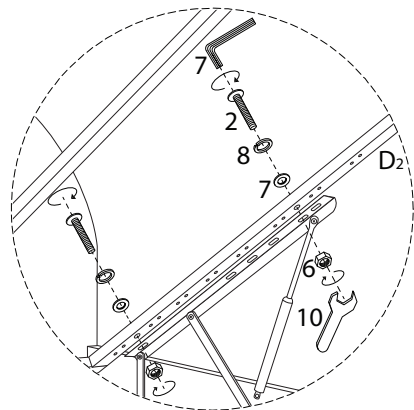
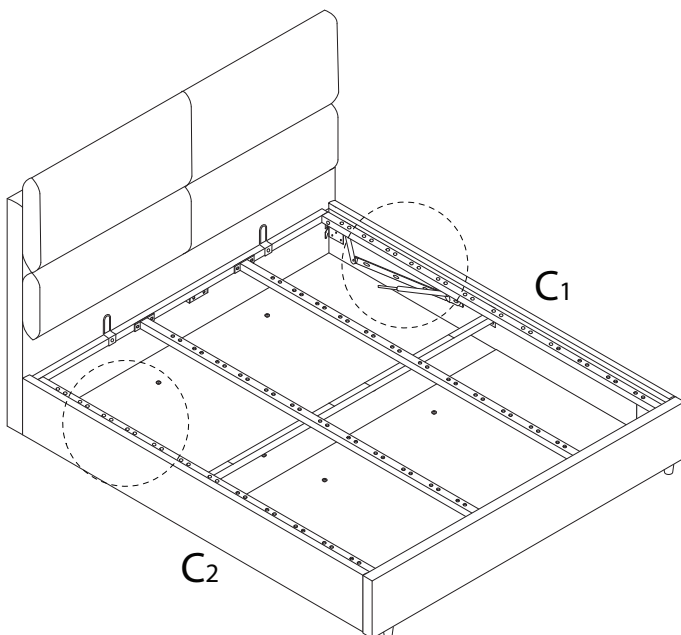
15

D3  x 1	2 M6 x 45  x 8	6  x 8	7 M8  x 8	8 M8  x 8	9 M8  x 1	10  x 1
--	---	---	---	--	---	--

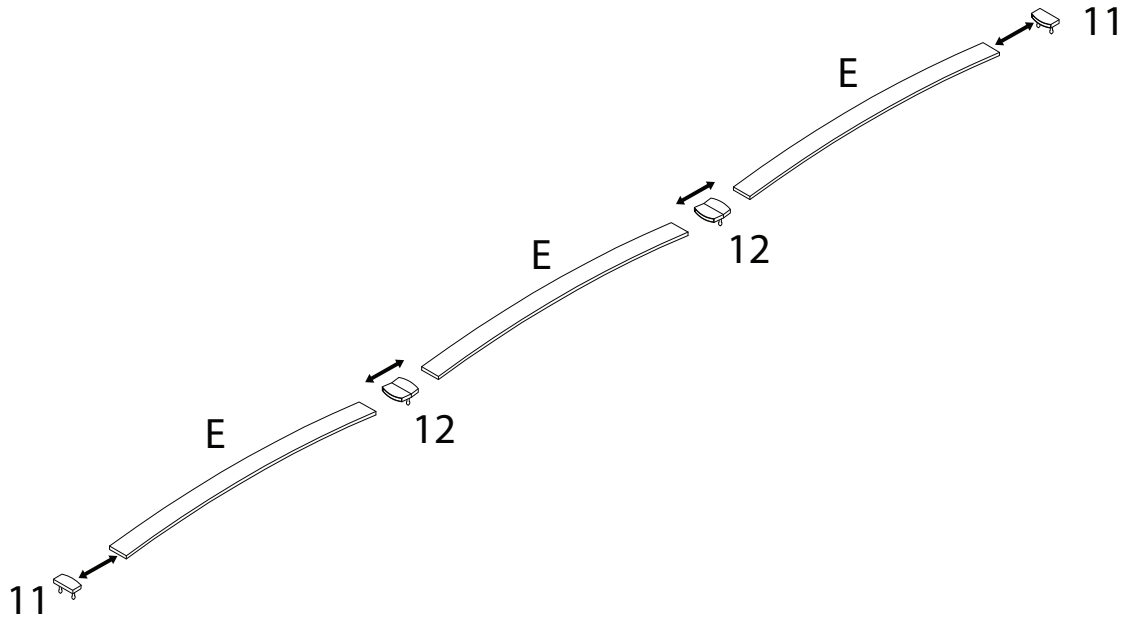
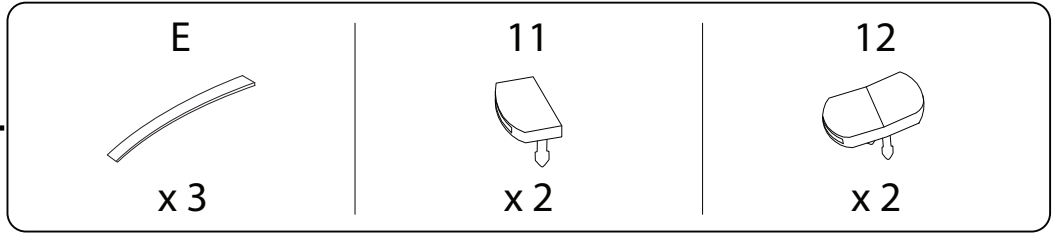


16

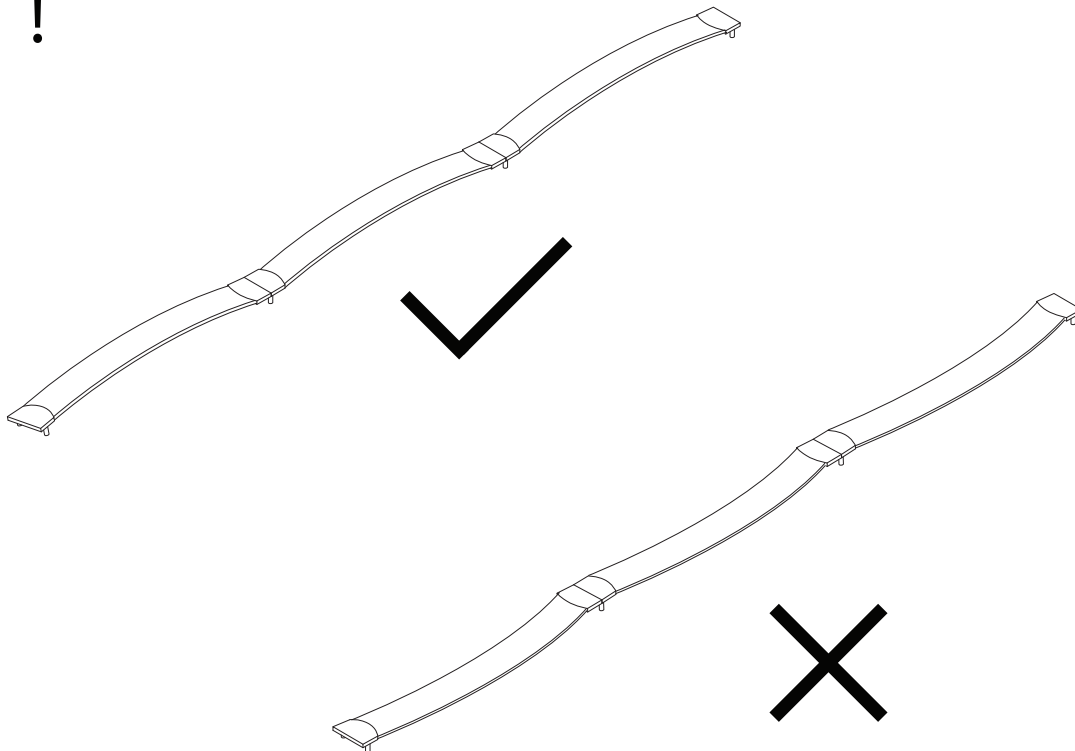
2 M6 x 45  x 4	6  x 4	7 M8  x 4	8 M8  x 4	9 M8  x 1	10  x 1
---	---	---	--	---	--



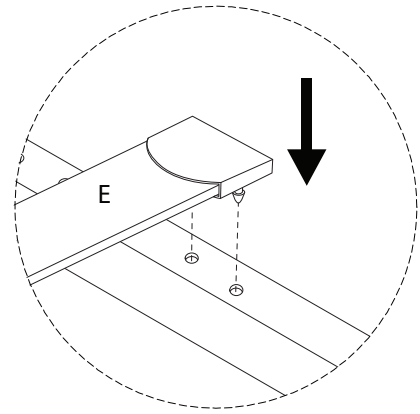
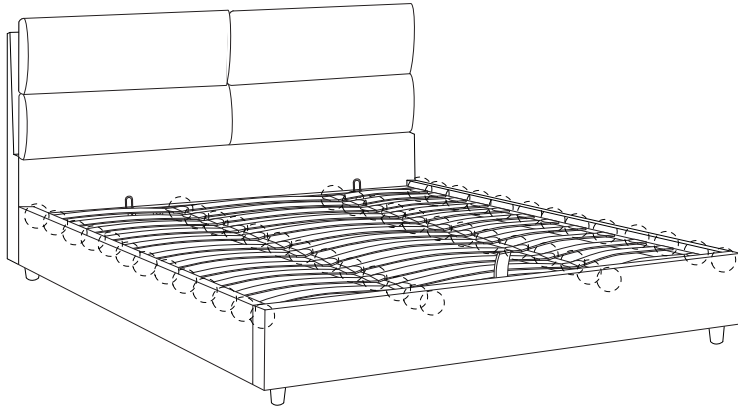
17 x 14



!



18



19

