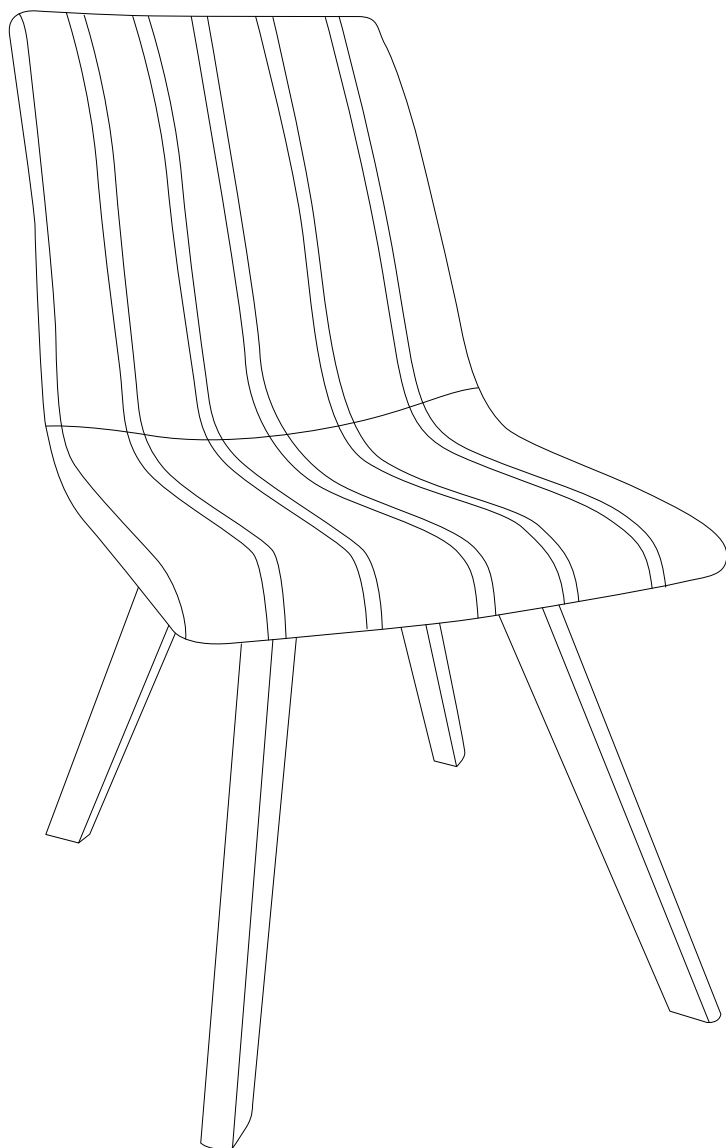
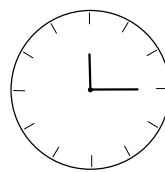
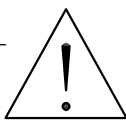
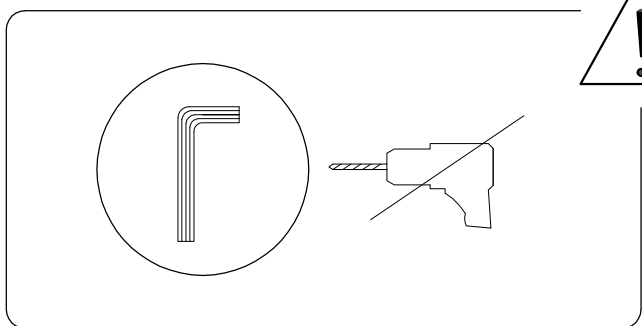
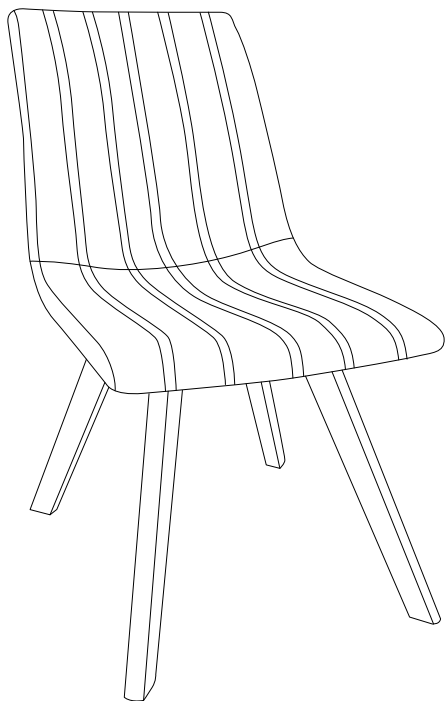
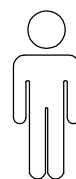
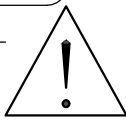
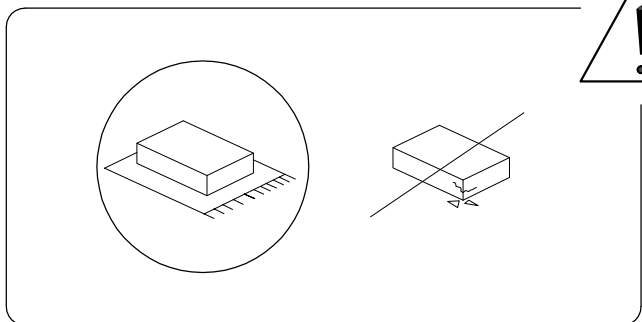


CALGARY



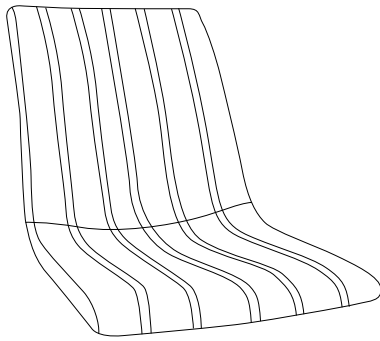
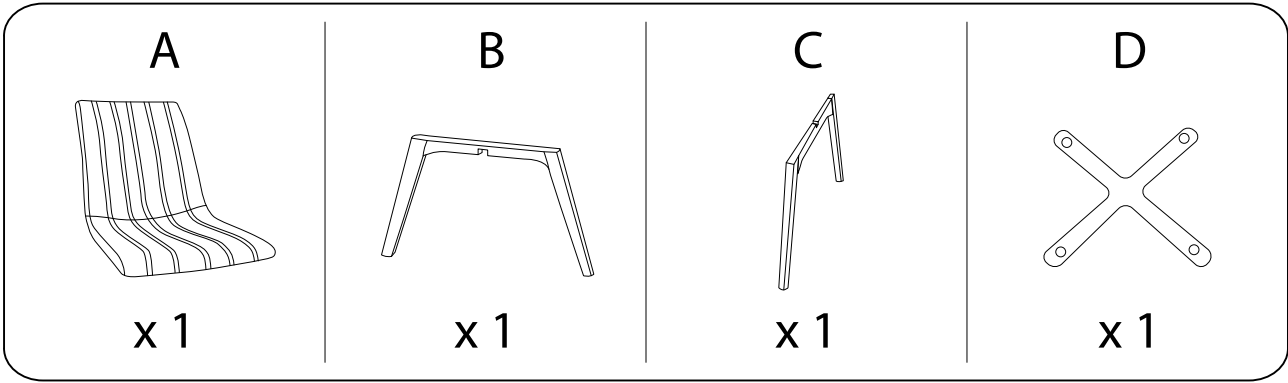


15'

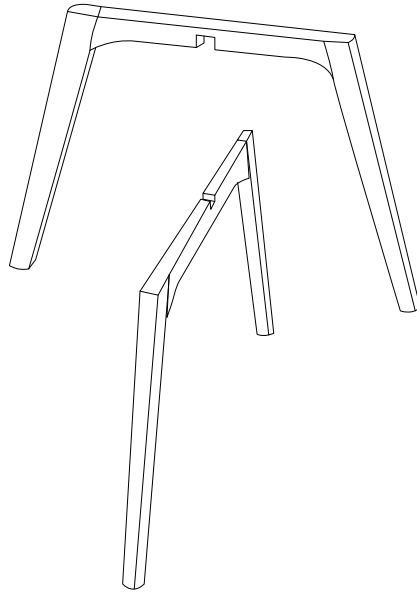


1

1/4

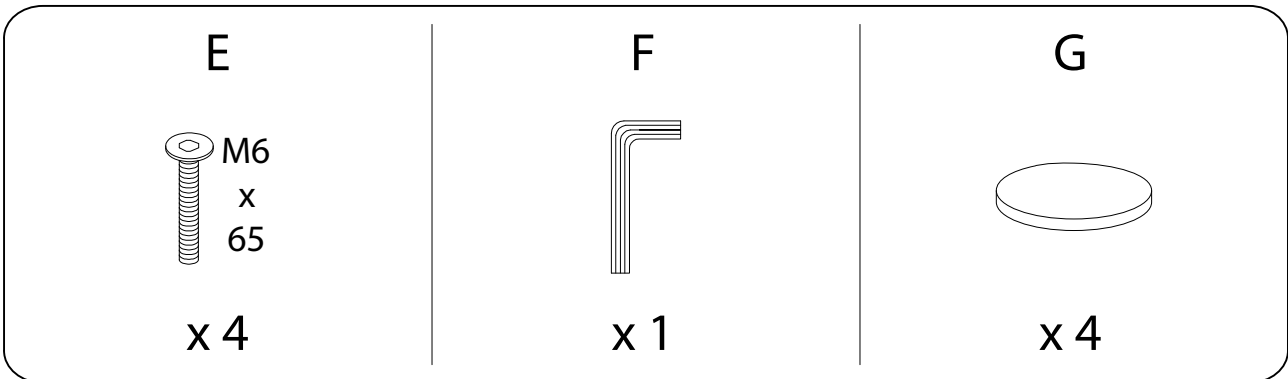


A

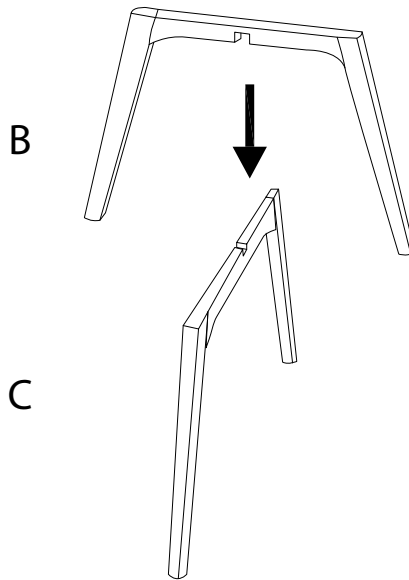
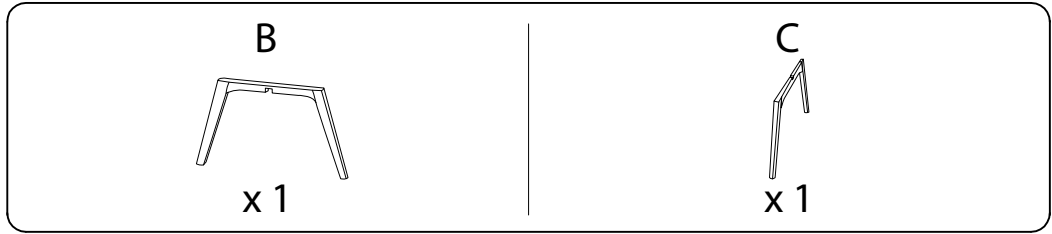


B

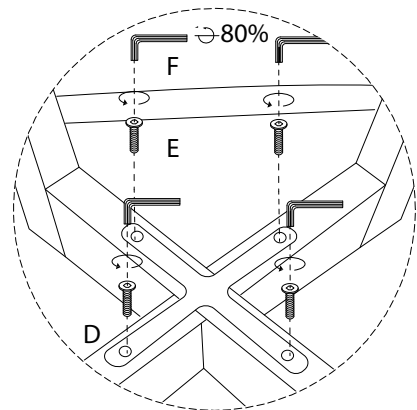
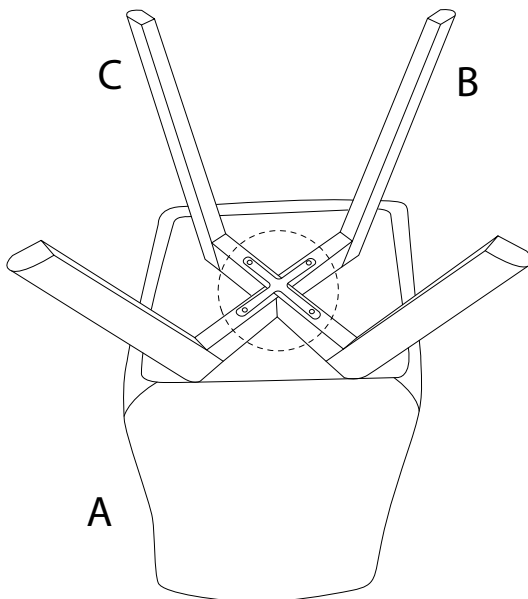
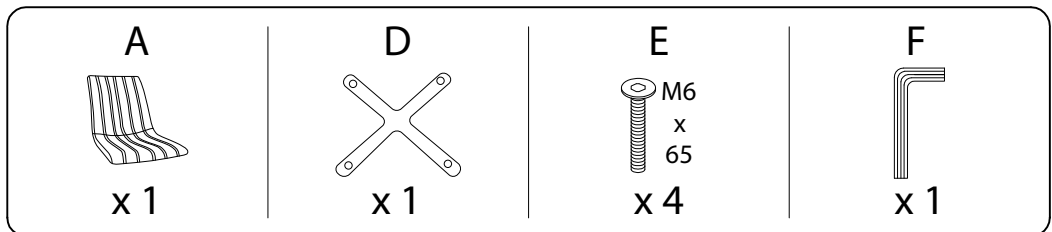
C



1

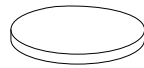


2

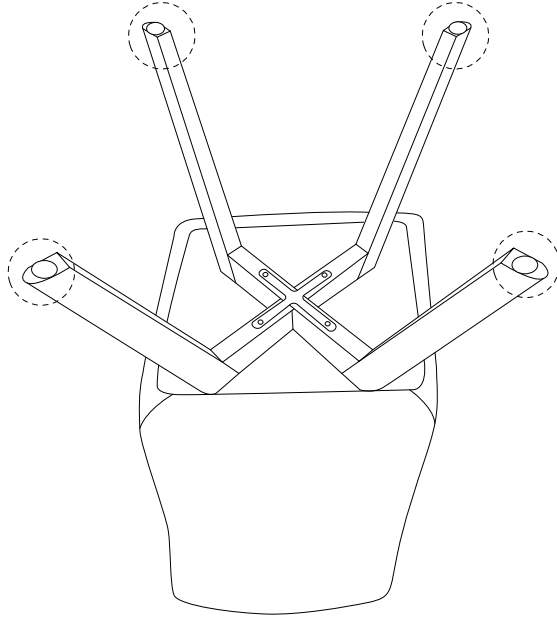


3

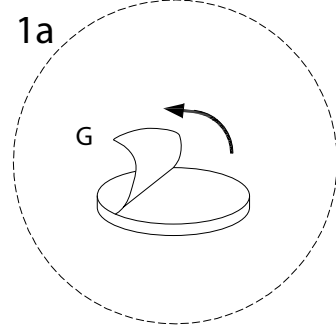
G



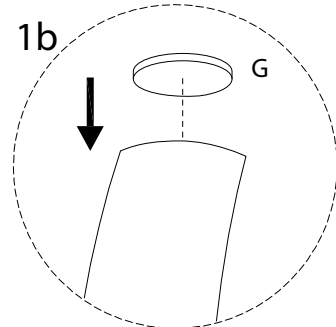
x 4



1a

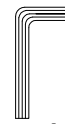


1b



4

F



x 1

