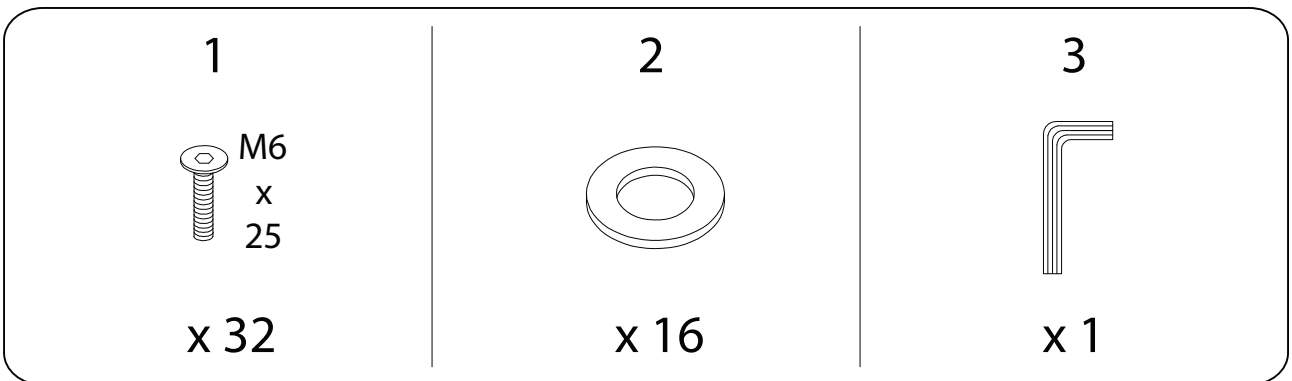
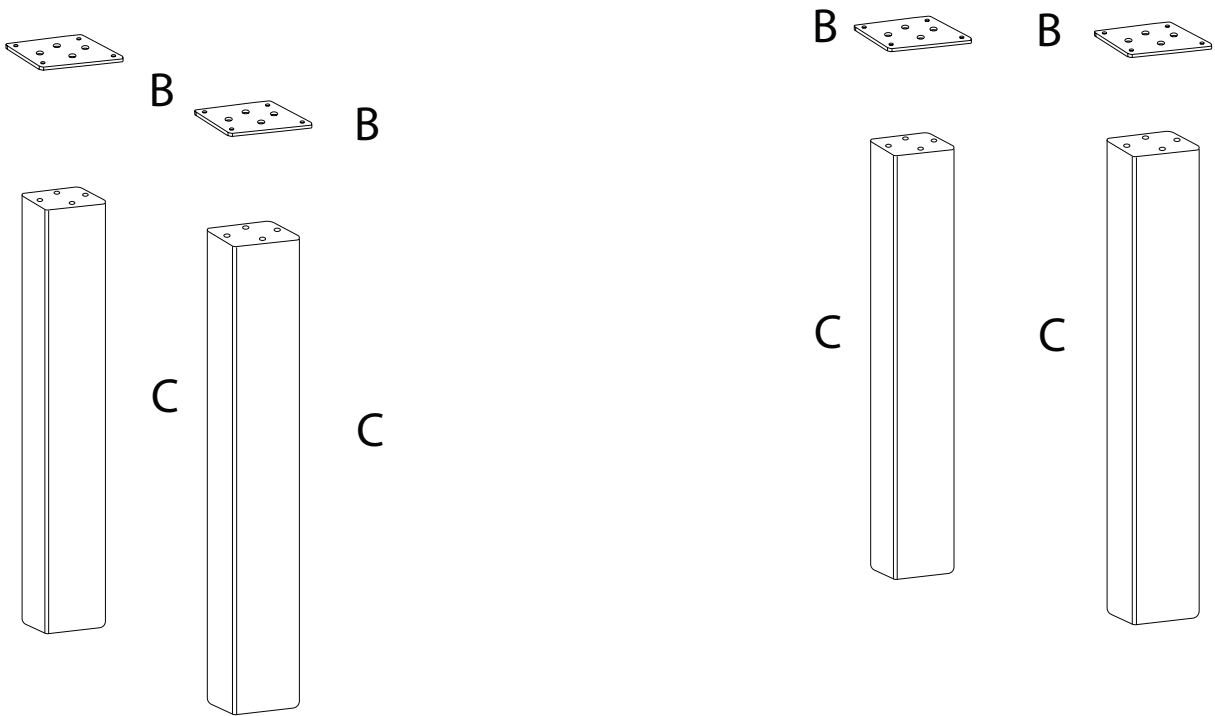
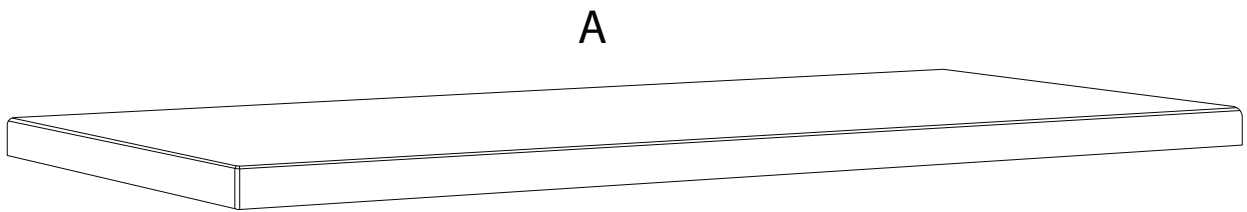
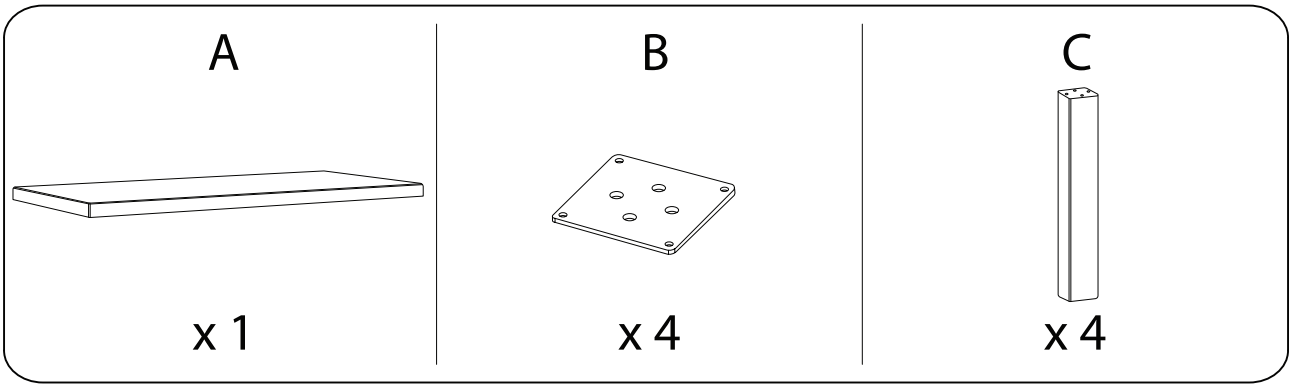
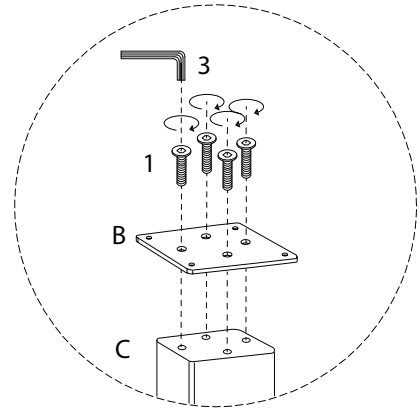
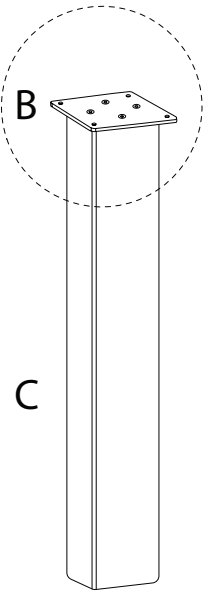
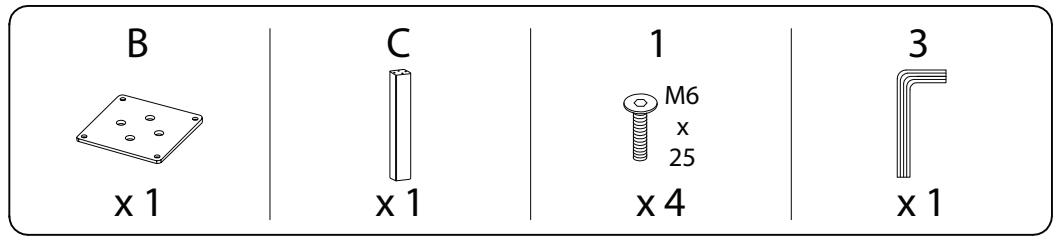


Diagram illustrating assembly instructions and safety warnings:

- Warning 1:** A warning triangle with an exclamation mark is shown next to a box containing an L-shaped bracket and a power drill with a slash through it, indicating that a power drill should not be used for this step.
- Warning 2:** A second warning triangle with an exclamation mark is shown next to a box containing a rectangular block on a surface and a diagram of the block being cut or drilled, indicating a specific assembly or safety instruction.
- Time:** A clock icon is shown with the text "30'" below it, indicating a 30-minute time limit for the assembly.
- Personnel:** An icon of a person is shown with the number "2" below it, indicating that two people are required for the assembly.



1 x 4



2

