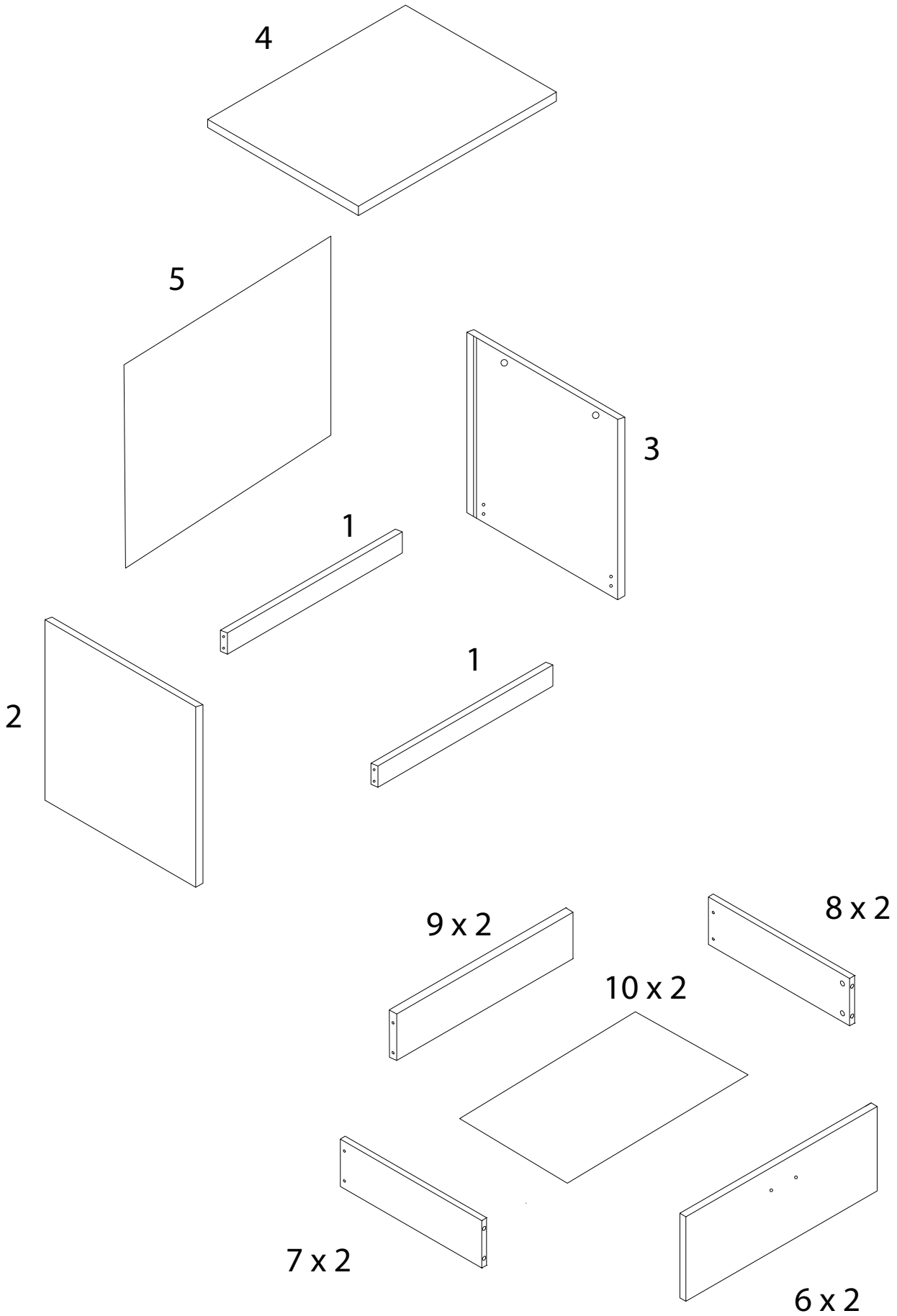
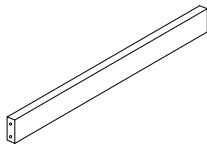
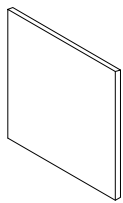
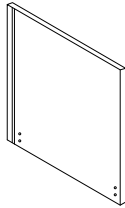
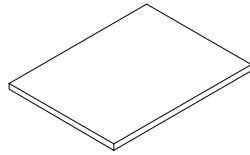
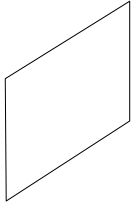
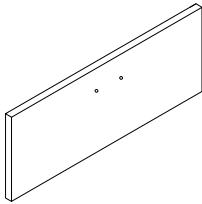
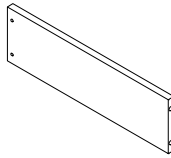
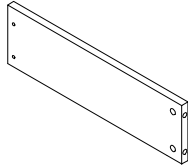
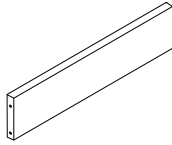
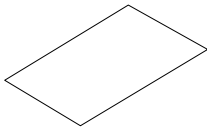


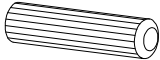
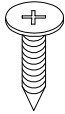
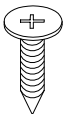
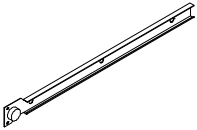
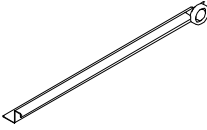
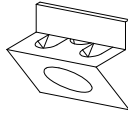
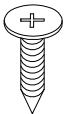

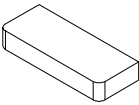
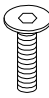
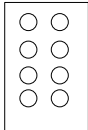


A circular icon containing a screwdriver on the left and a power drill with a diagonal slash through it on the right, indicating that a power drill should not be used.	A standard warning triangle icon with an exclamation mark inside.	A simple line drawing of a clock face with tick marks around the perimeter.
A circular icon containing a rectangular block being placed on a surface with a hatched pattern on the left, and a rectangular block with a diagonal slash through it on the right, indicating that the block should not be placed on an uneven surface.	A standard warning triangle icon with an exclamation mark inside.	A simple line drawing of a human figure.

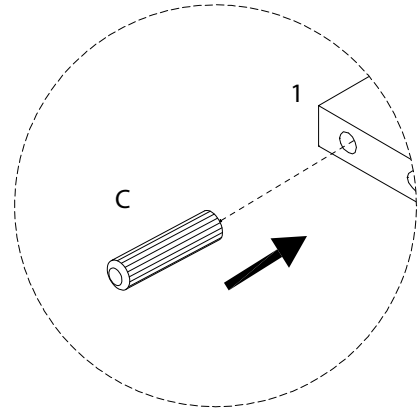
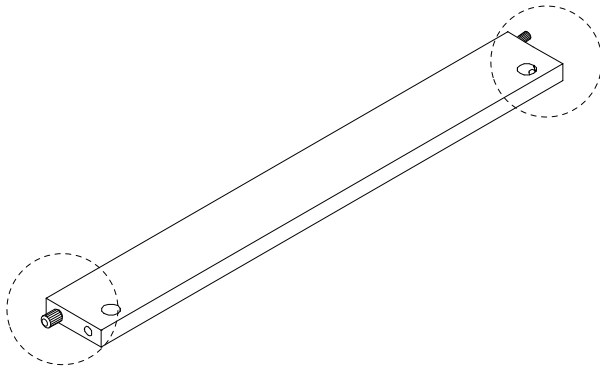
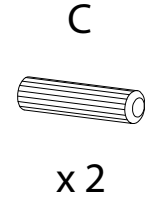
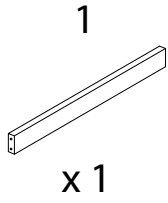
45'

1

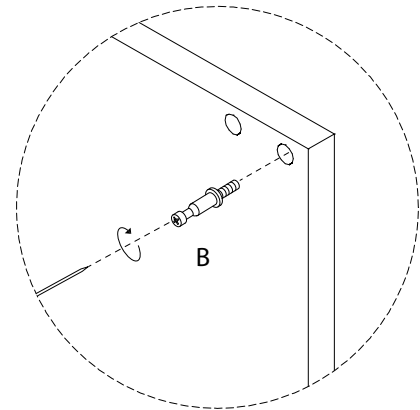
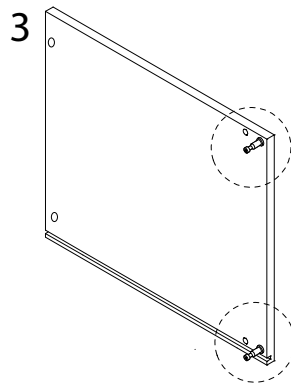
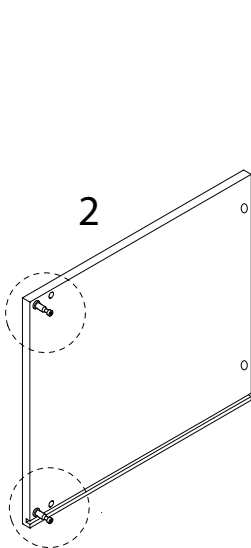
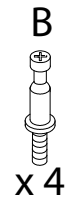
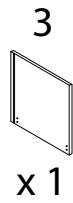
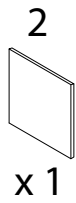


<p>1</p>  <p>x 2</p>	<p>2</p>  <p>x 1</p>	<p>3</p>  <p>x 1</p>	<p>4</p>  <p>x 1</p>	
<p>5</p>  <p>x 1</p>	<p>6</p>  <p>x 2</p>	<p>7</p>  <p>x 2</p>	<p>8</p>  <p>x 2</p>	
<p>9</p>  <p>x 2</p>	<p>10</p>  <p>x 2</p>	<p>A</p>  <p>x 16</p>	<p>B</p>  <p>x 16</p>	<p>C</p>  <p>x 8</p>
<p>D</p>  <p>M3.5 x 14</p> <p>x 16</p>	<p>E</p>  <p>M3.5 x 35</p> <p>x 8</p>	<p>F1</p>  <p>x 4</p>	<p>F2</p>  <p>x 4</p>	<p>G1</p>  <p>x 3</p>
<p>G2</p>  <p>M3.5 x 20</p> <p>x 3</p>	<p>H</p>  <p>x 30</p>	<p>I</p>  <p>x 2</p>	<p>J</p>  <p>M4 x 22</p> <p>x 4</p>	<p>K</p>  <p>x 1</p>

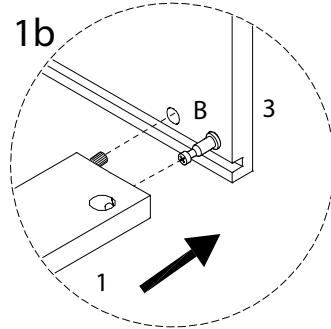
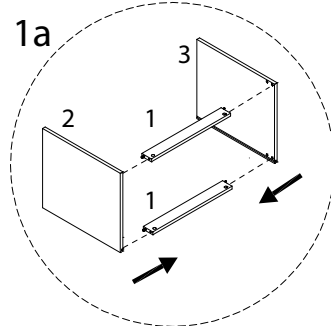
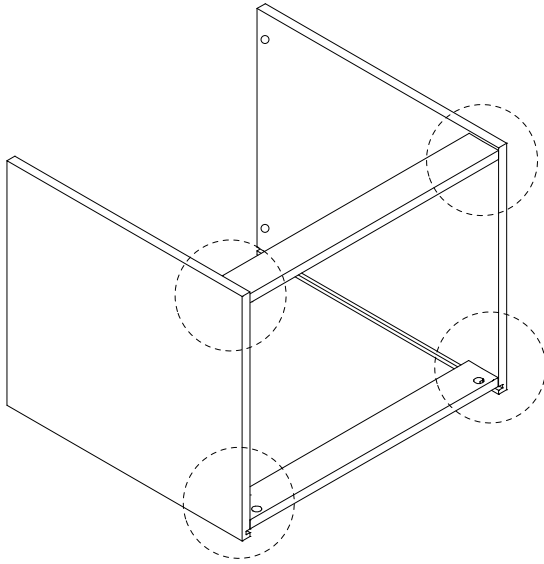
1 x 2



2



3

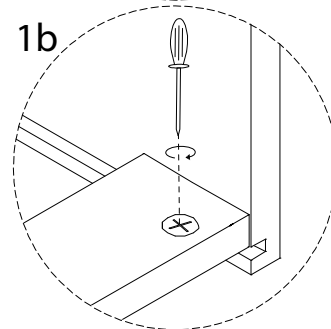
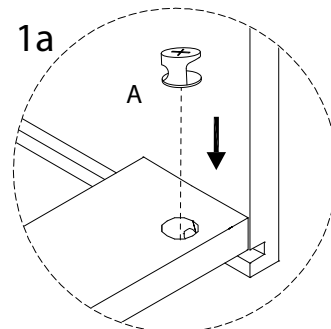
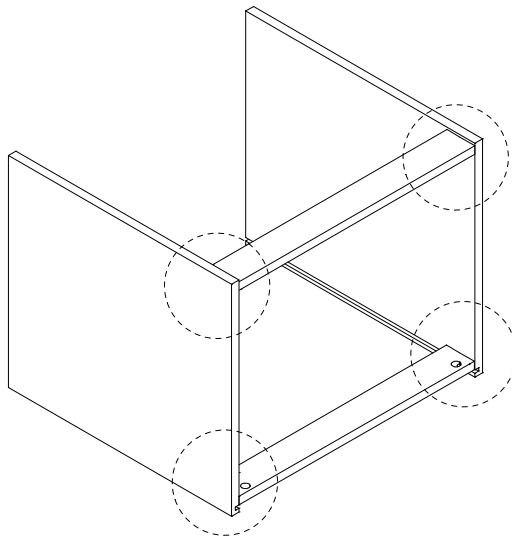


4

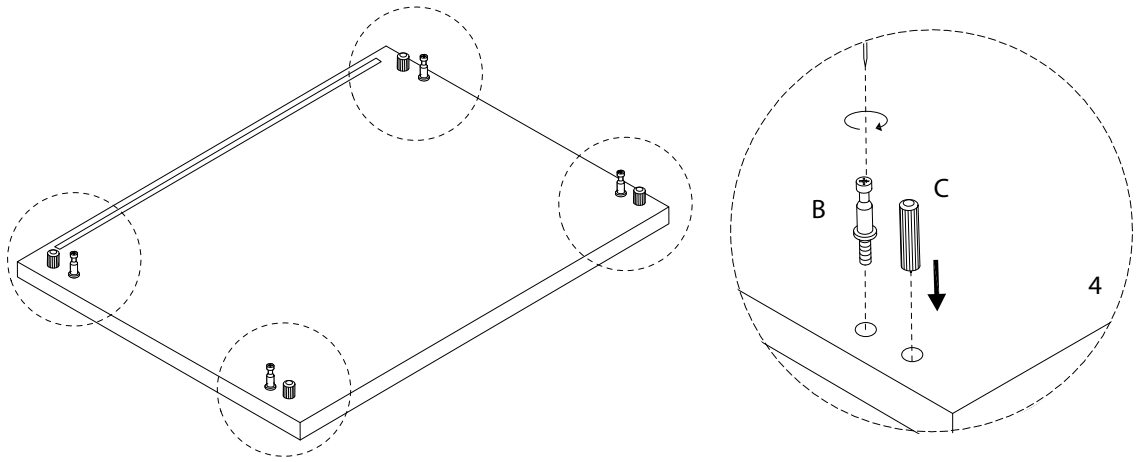
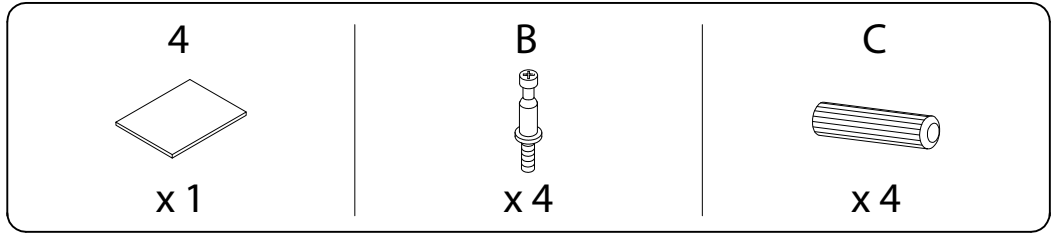
A



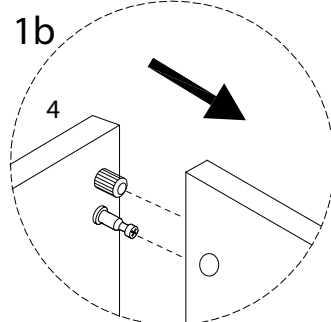
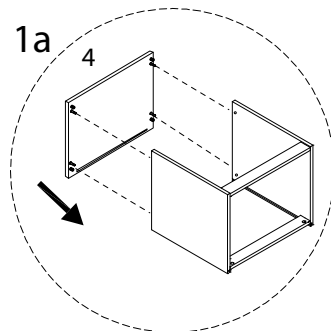
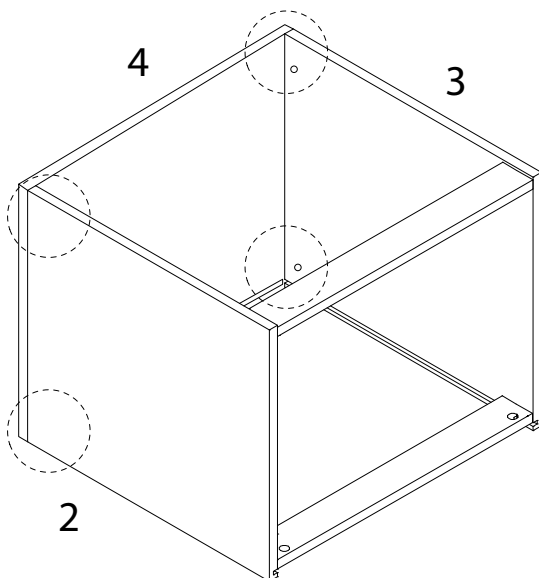
x4



5



6

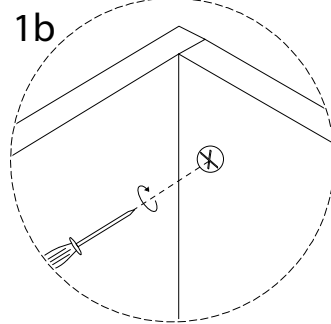
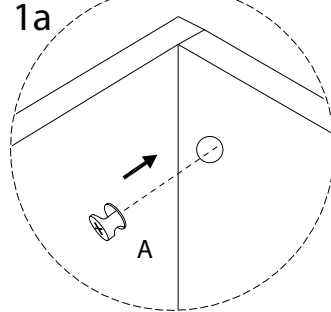
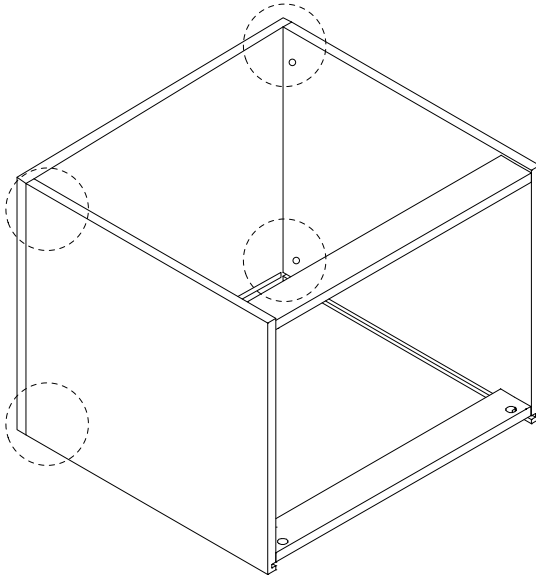


7

A

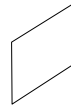


x 4

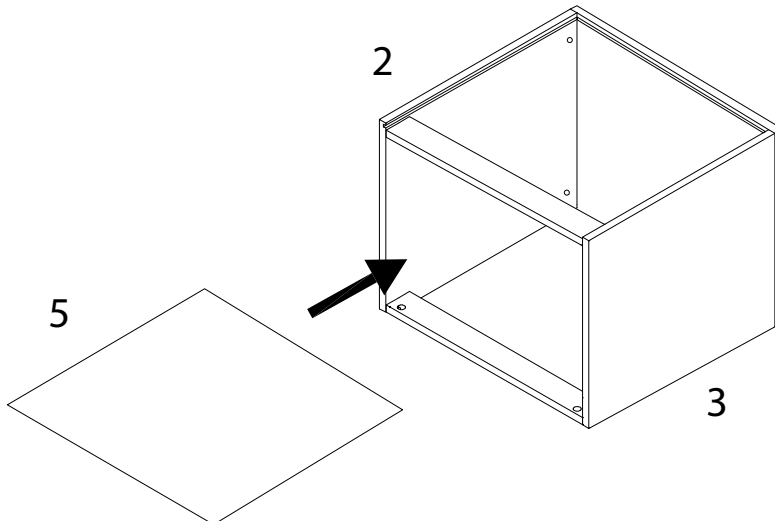


8

5



x 1



9

H



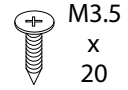
x 6

G1

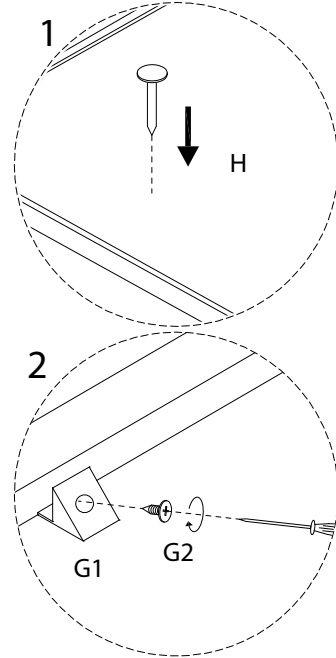
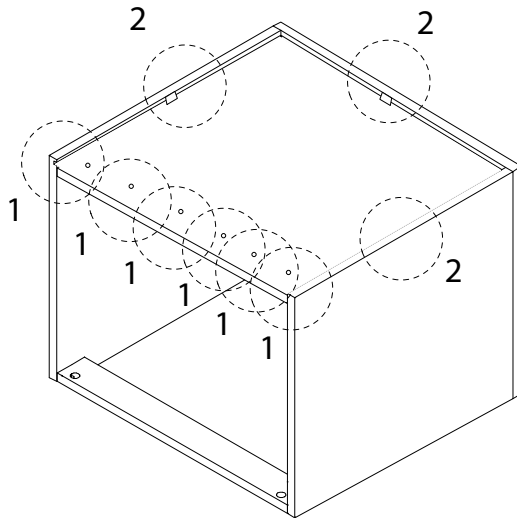


x 3

G2

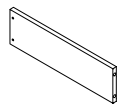


x 3



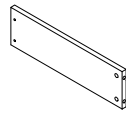
10 x 2

7



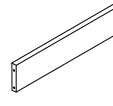
x 1

8



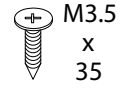
x 1

9

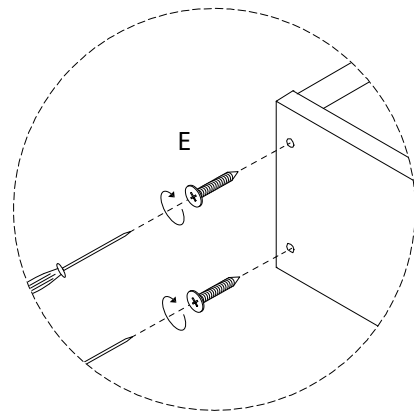
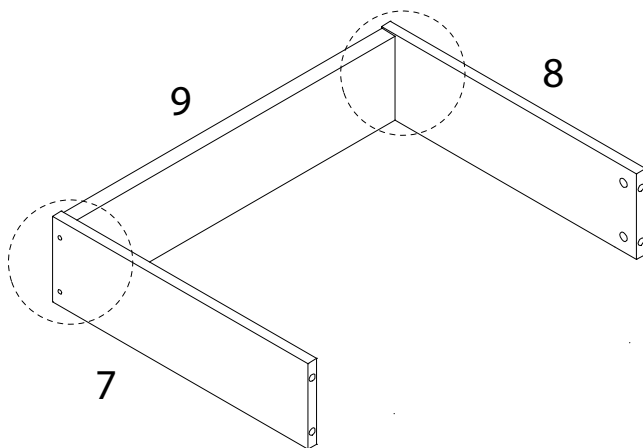


x 1

E

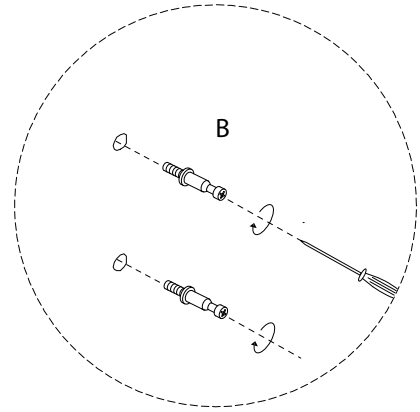
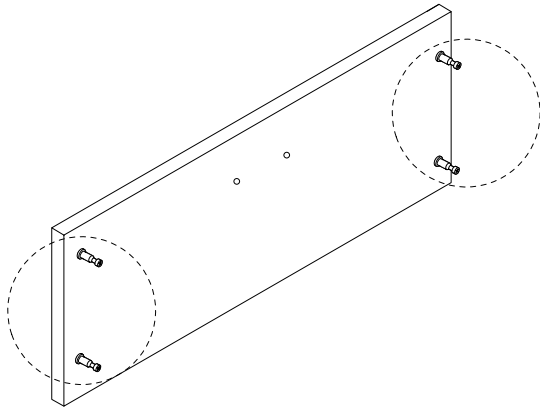
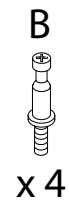
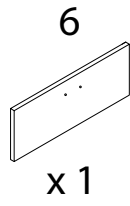


x 4

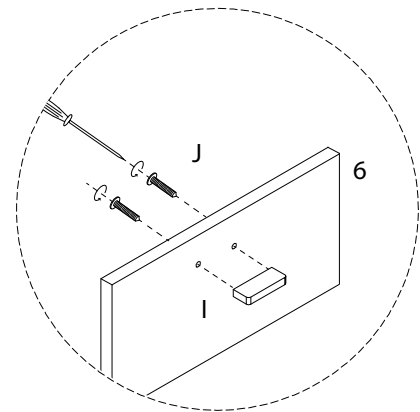
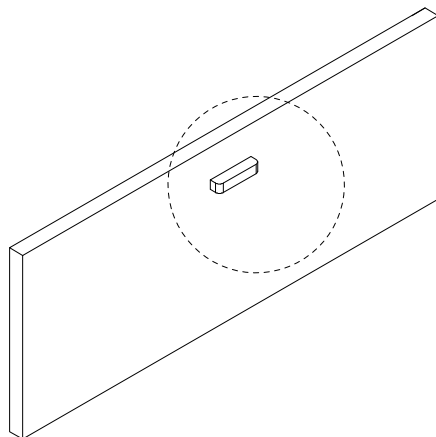
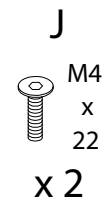
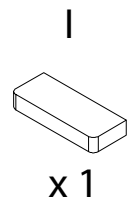




11 x 2



12 x 2

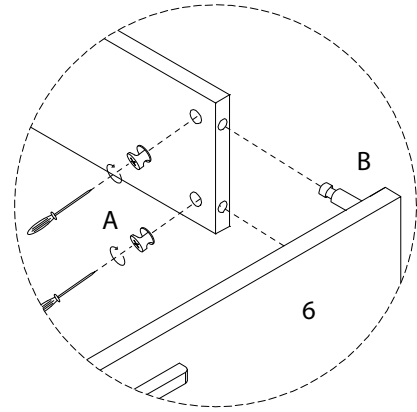
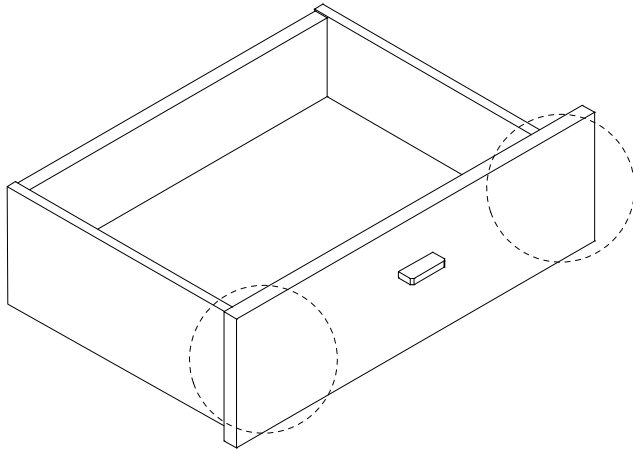


13 x 2

A

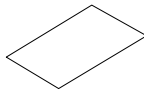


x 4



14 x 2

10

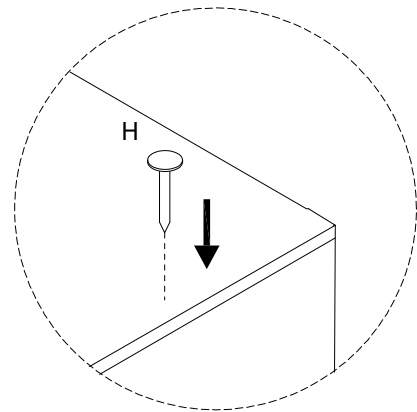
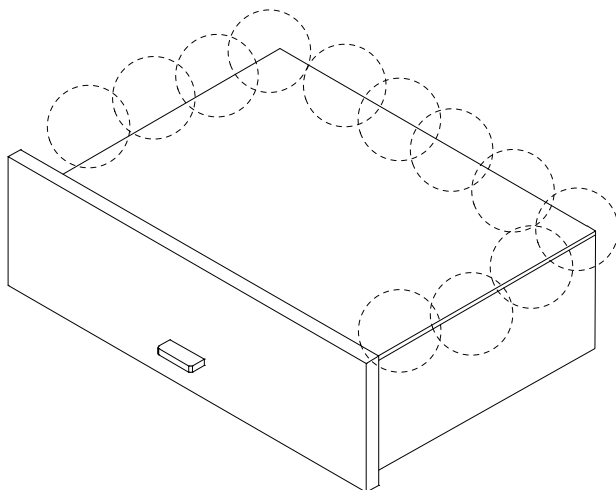


x 1

H

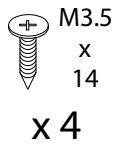


x 12

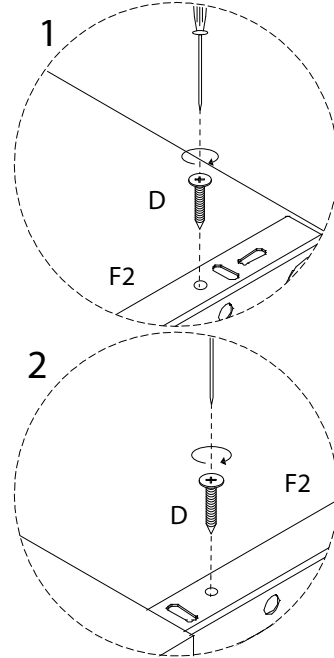
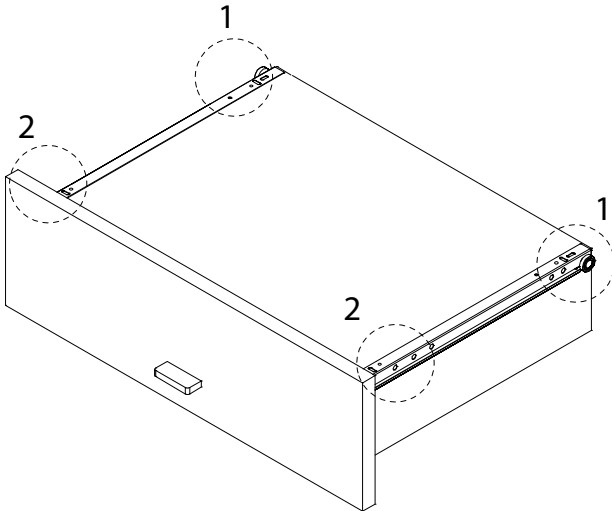
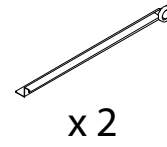


15 x 2

D

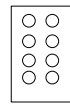


F2

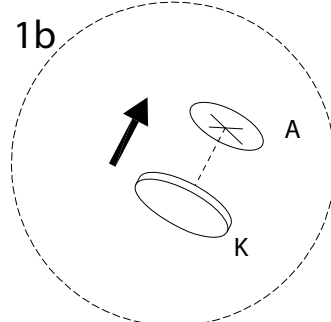
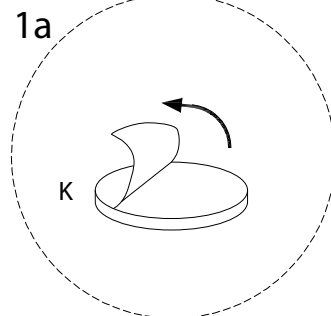
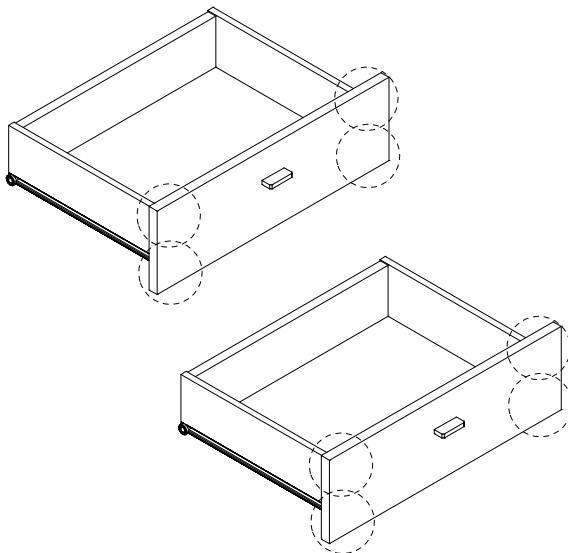


16

K

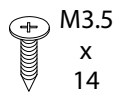


x 1



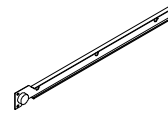
17

D

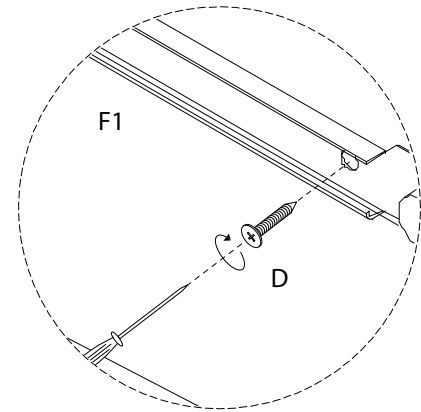
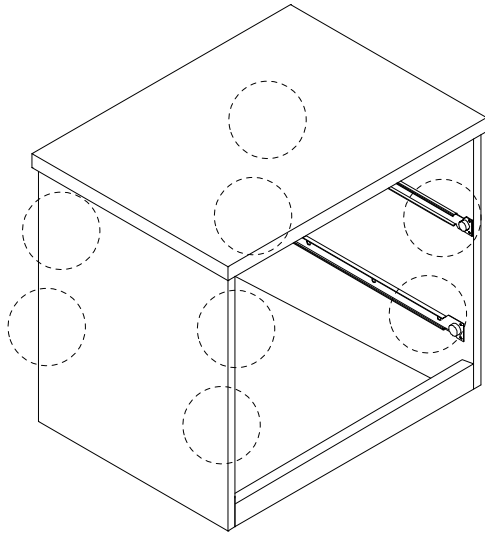


x 8

F1



x 4



18

