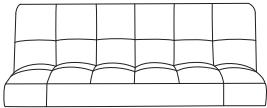

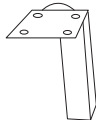
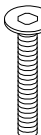
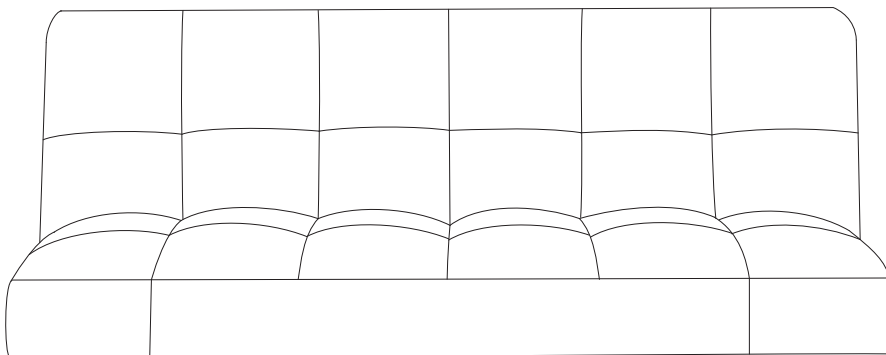


Diagram illustrating assembly instructions and safety warnings:

- Warning 1:** A triangle with an exclamation mark. To its left, a box contains an icon of an L-shaped metal bracket and a crossed-out power drill, indicating that a power drill should not be used for this step.
- Warning 2:** A triangle with an exclamation mark. To its left, a box contains an icon of a rectangular block being placed on a textured surface and another icon of a block being cut with a saw, indicating that the block should not be cut.
- Time:** A clock icon with the text "20'" below it, indicating a 20-minute assembly time.
- Person:** An icon of a person with the text "1" below it, indicating that one person is required for assembly.

A	B	C	D
			 M7 x 65
x 1	x 2	x 2	x 2

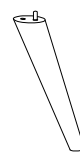
A

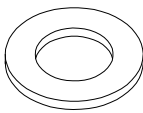
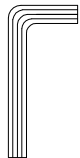
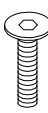


C x 2

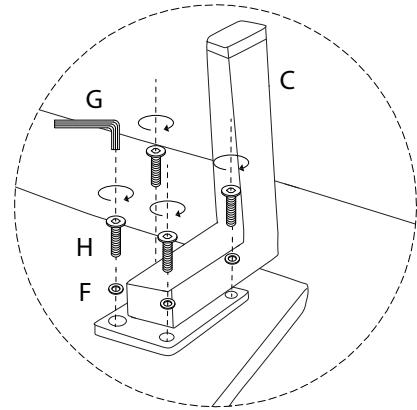
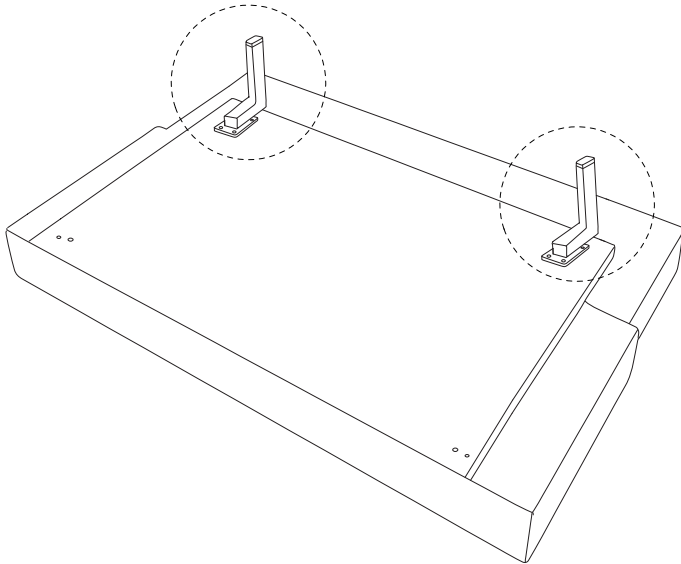
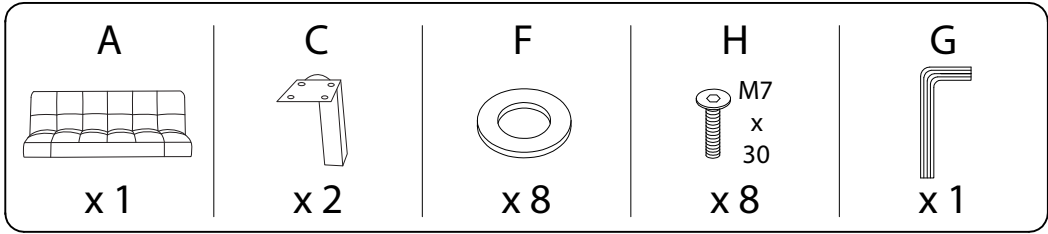


B x 2

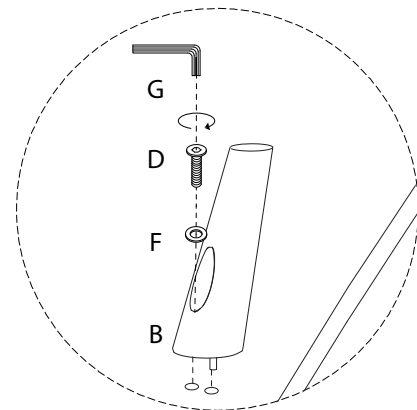
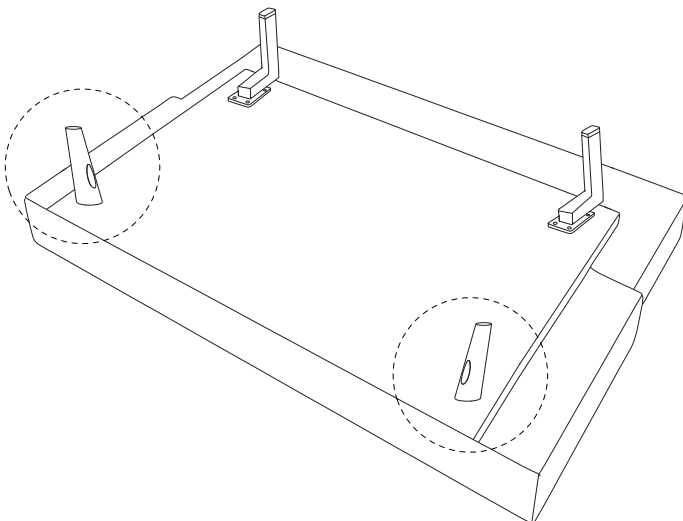
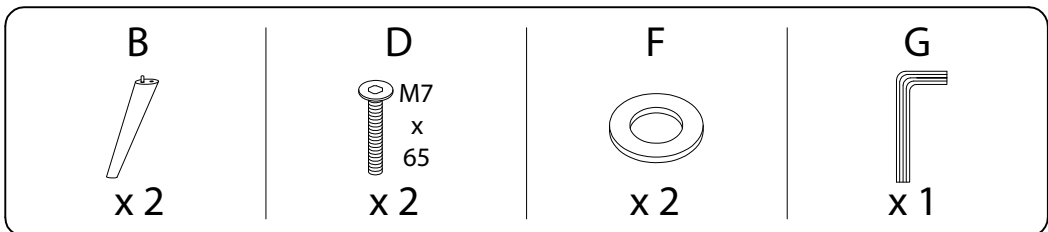


F	G	H
		 M7 x 30
x 10	x 1	x 8

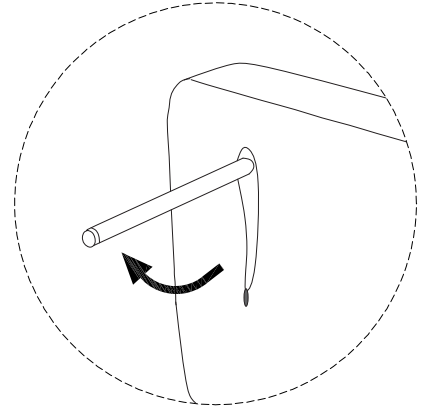
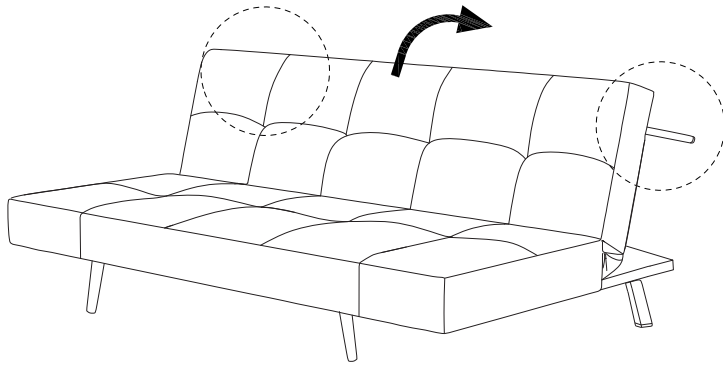
1



2



!



!

