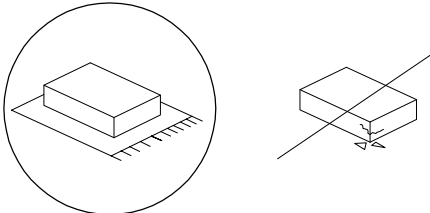
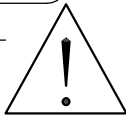
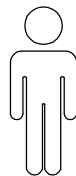
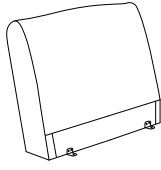
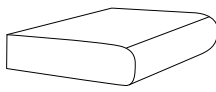
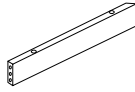
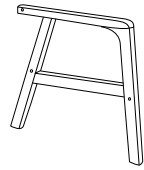

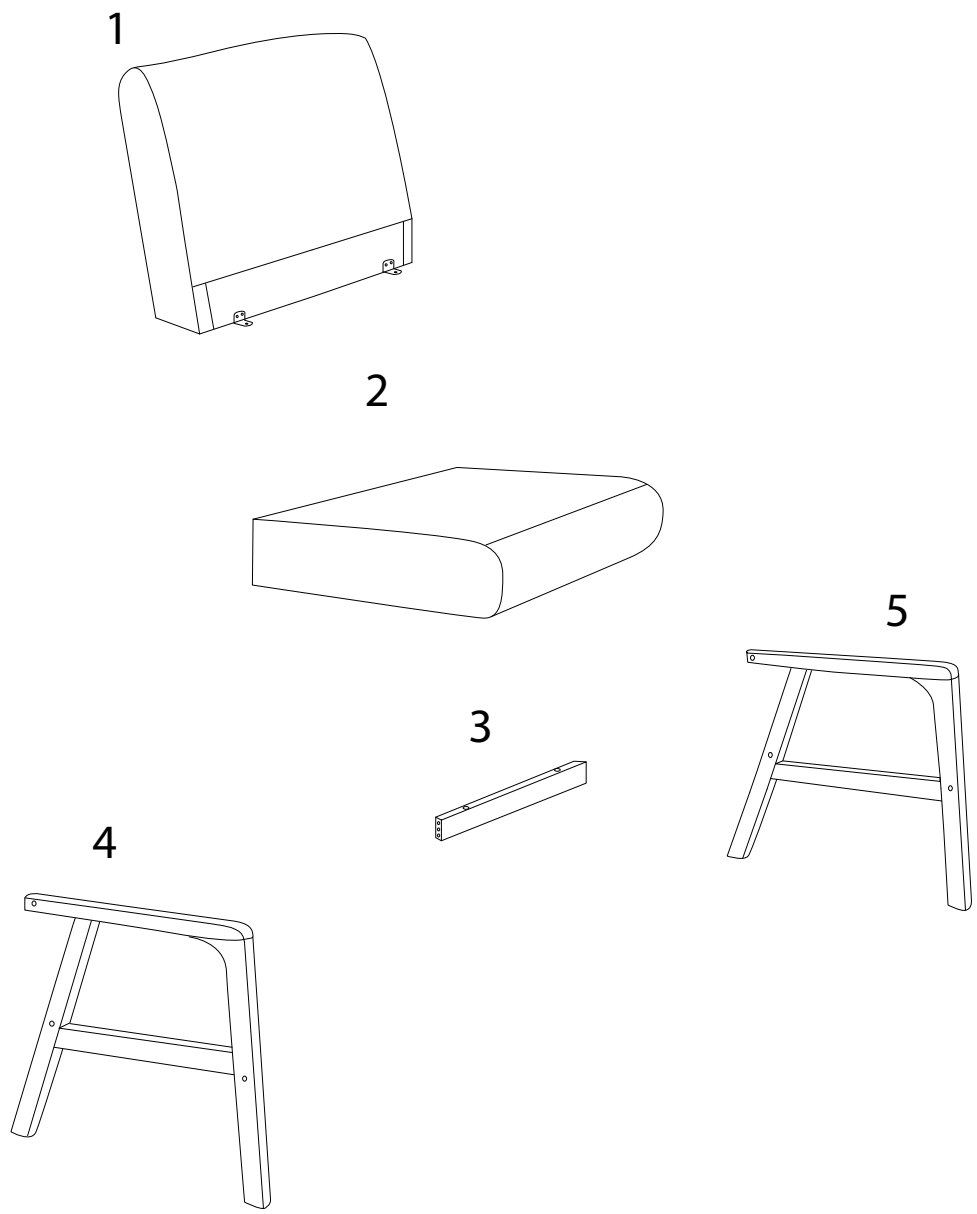
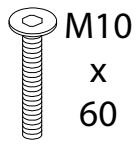

		30'
		
		1

1	2	3	4	5
				
x 1	x 1	x 1	x 1	x 1

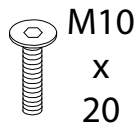


A



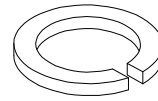
x 6

B



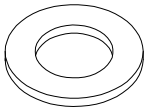
x 2

C



x 6

D



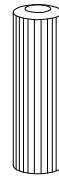
x 6

E



x 2

F



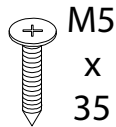
x 4

G



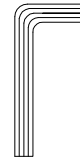
x 6

H



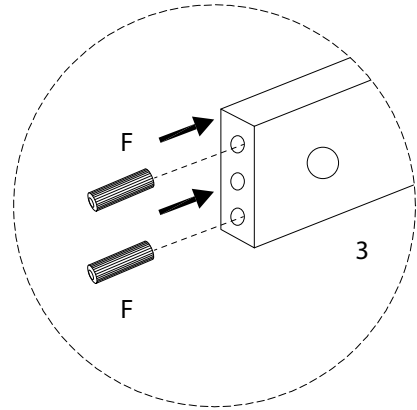
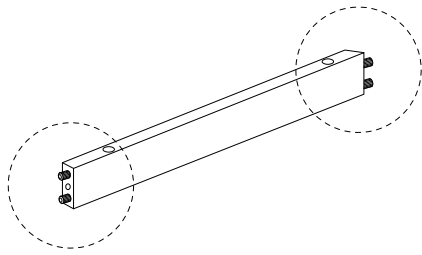
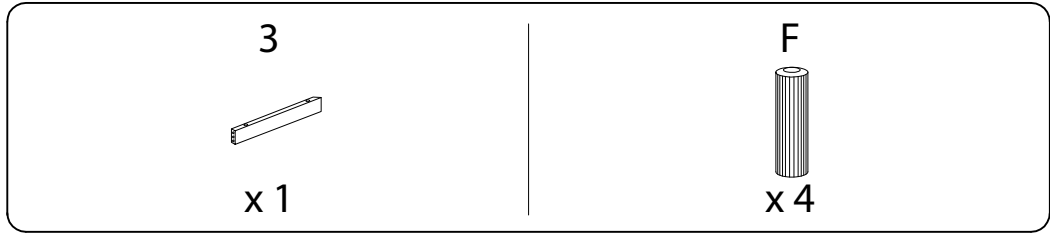
x 2

I

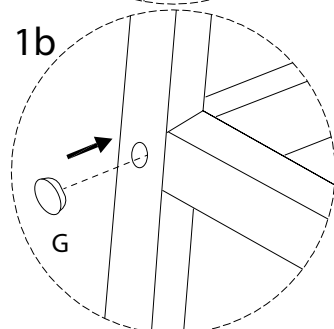
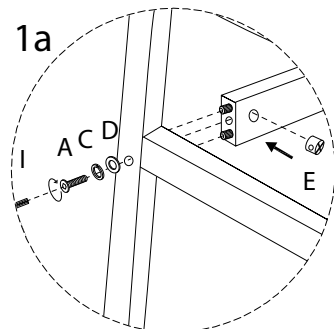
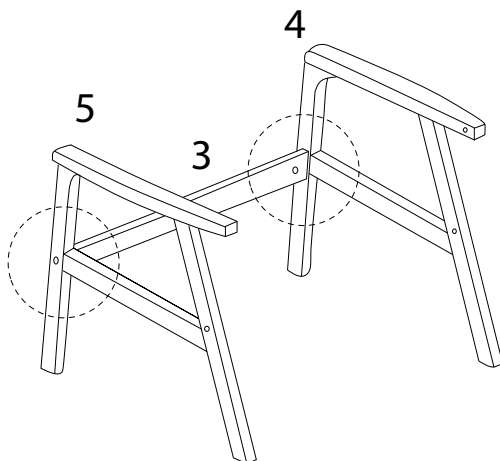
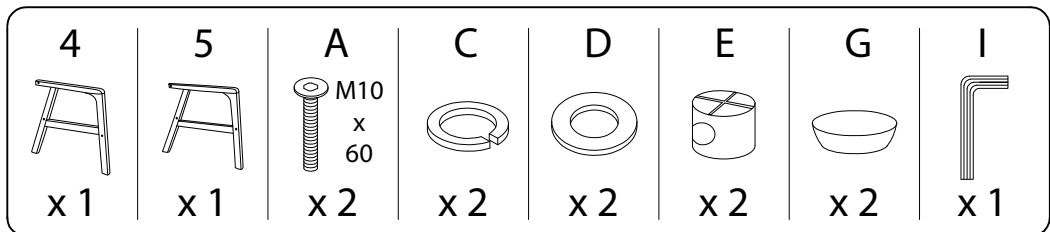


x 1

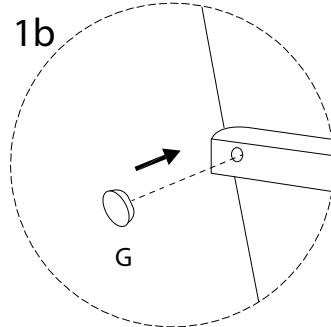
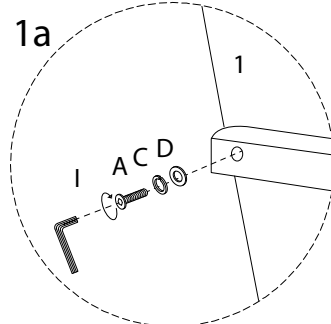
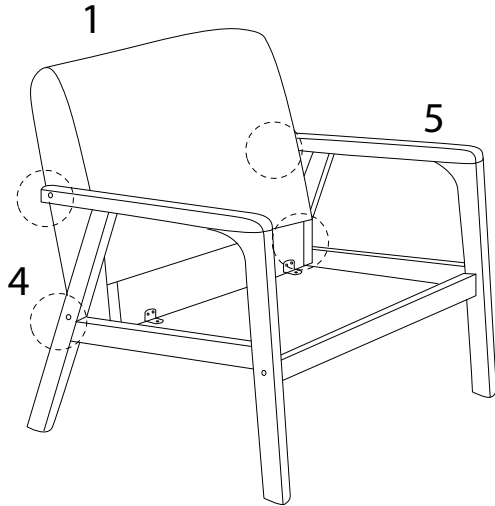
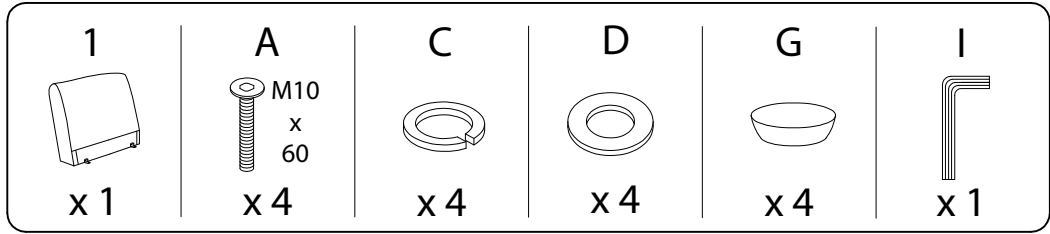
1



2



3



4

