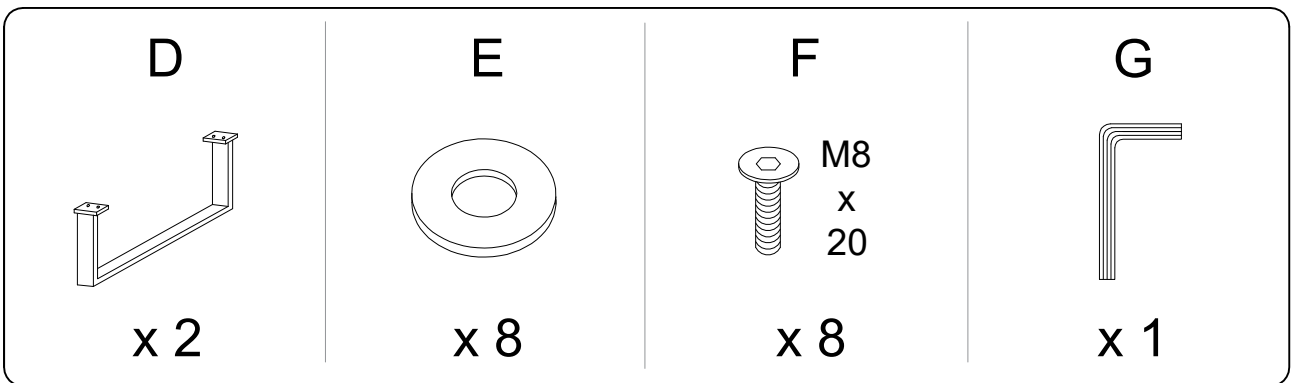
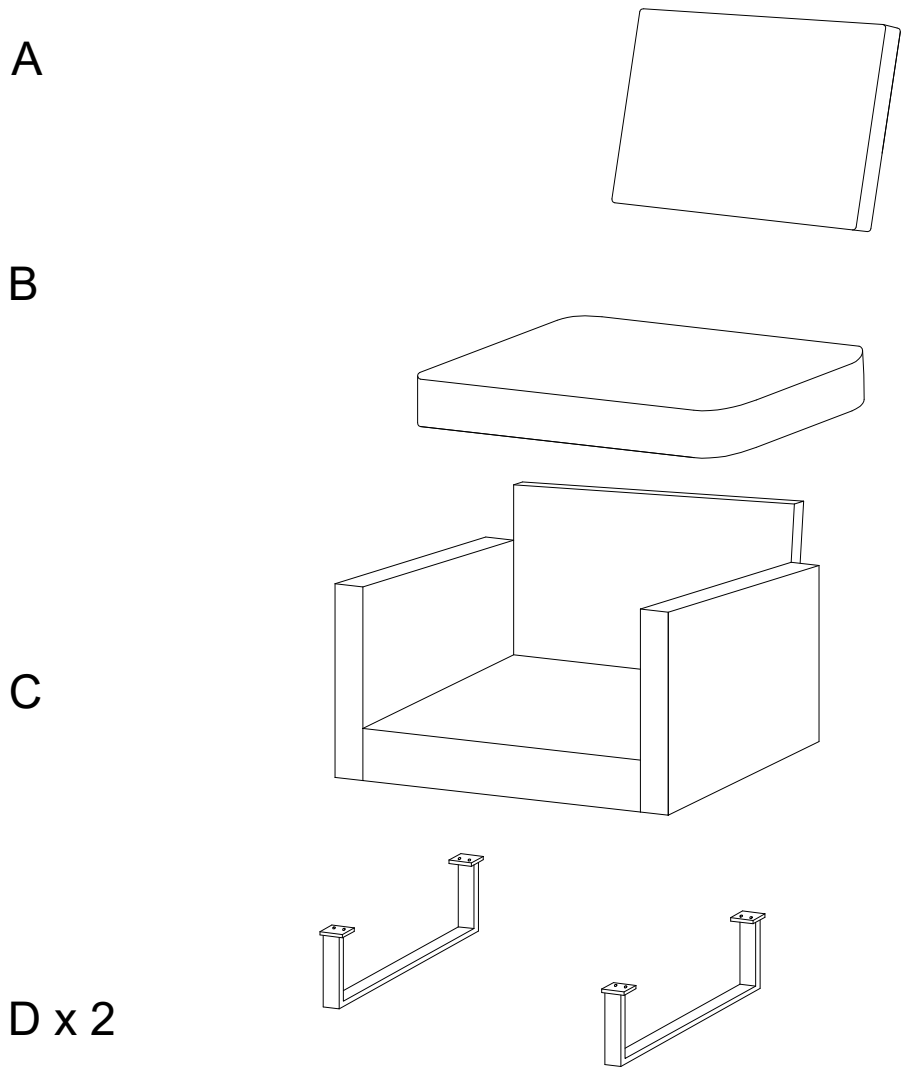
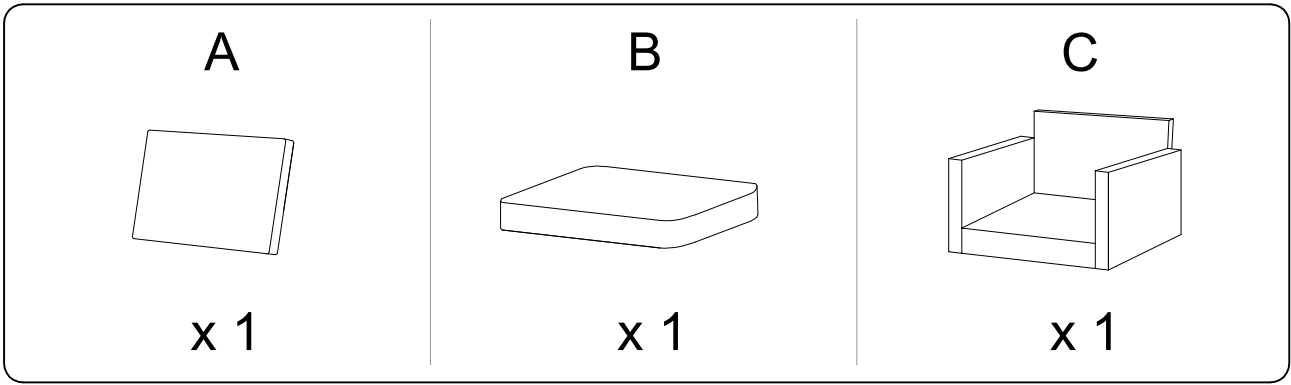
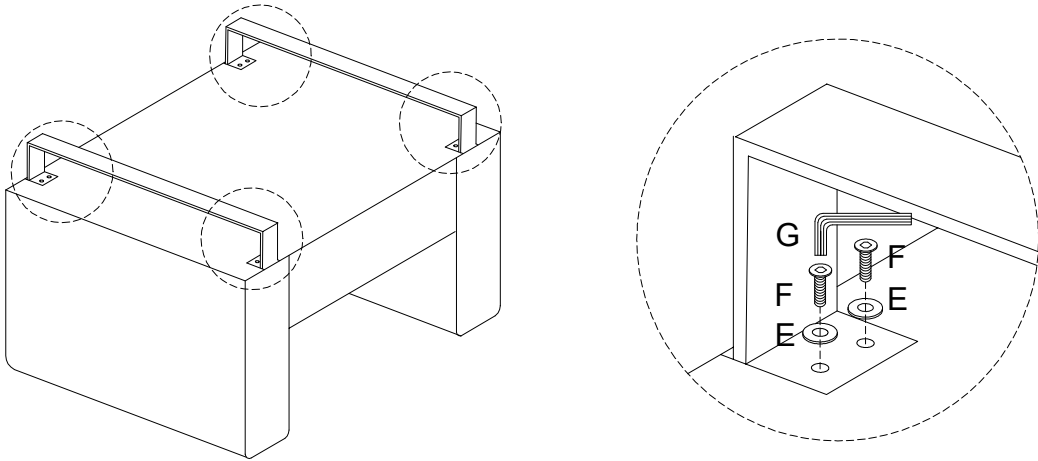
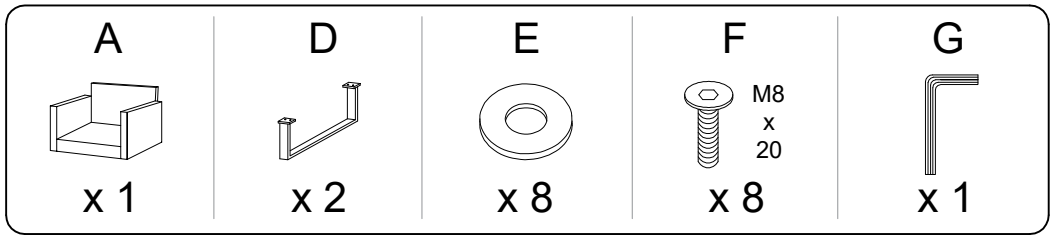


Diagram illustrating assembly instructions and safety warnings:

- Warning 1:** A triangle with an exclamation mark. Below it, a box contains an L-shaped corner bracket and a power drill with a slash through it, indicating that a power drill should not be used for this step.
- Warning 2:** A triangle with an exclamation mark. Below it, a box shows a rectangular block being placed on a surface with a hatched pattern, and a second view shows the block being secured with a screw. A slash through the second view indicates that a screw should not be used to secure the block.
- Time:** A clock icon with the text "20'" below it, indicating a 20-minute assembly time.
- Personnel:** An icon of a person with the number "1" below it, indicating that one person is required for assembly.



1



2

