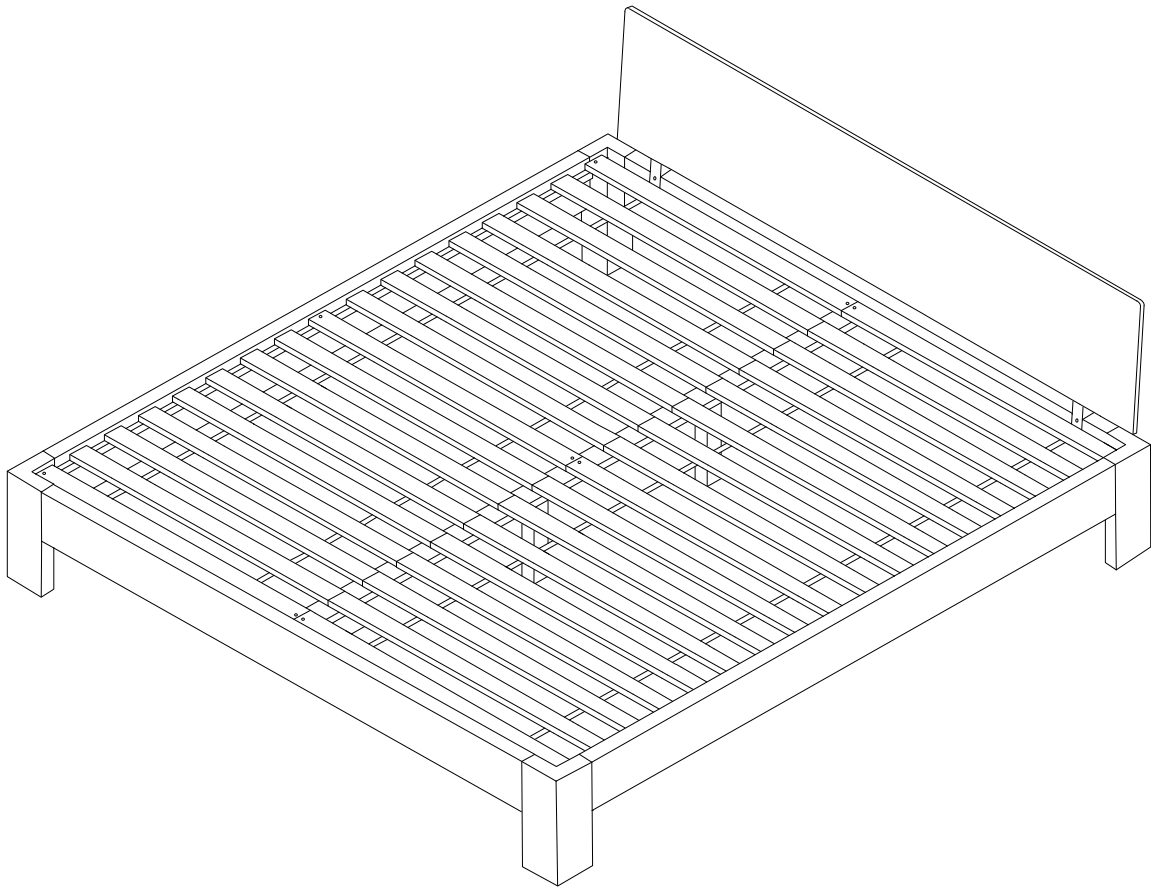
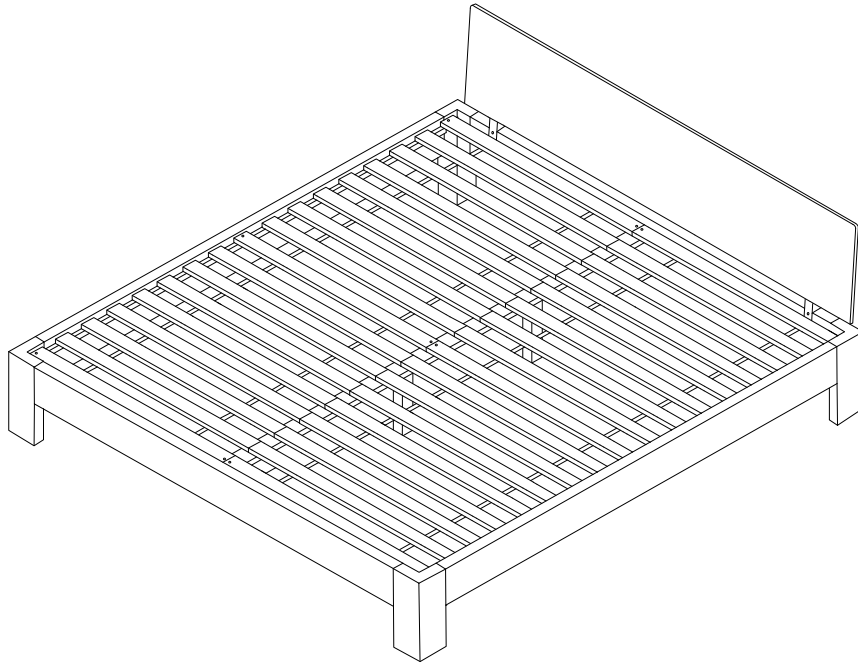
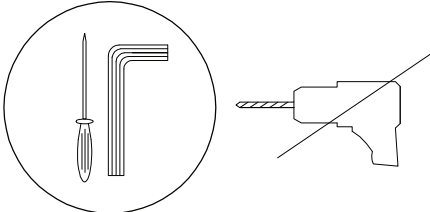

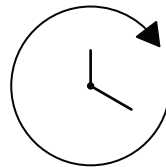
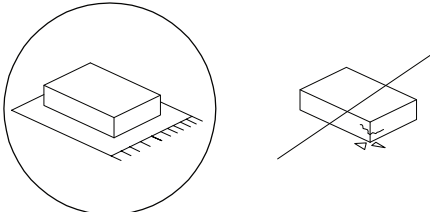

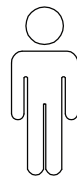
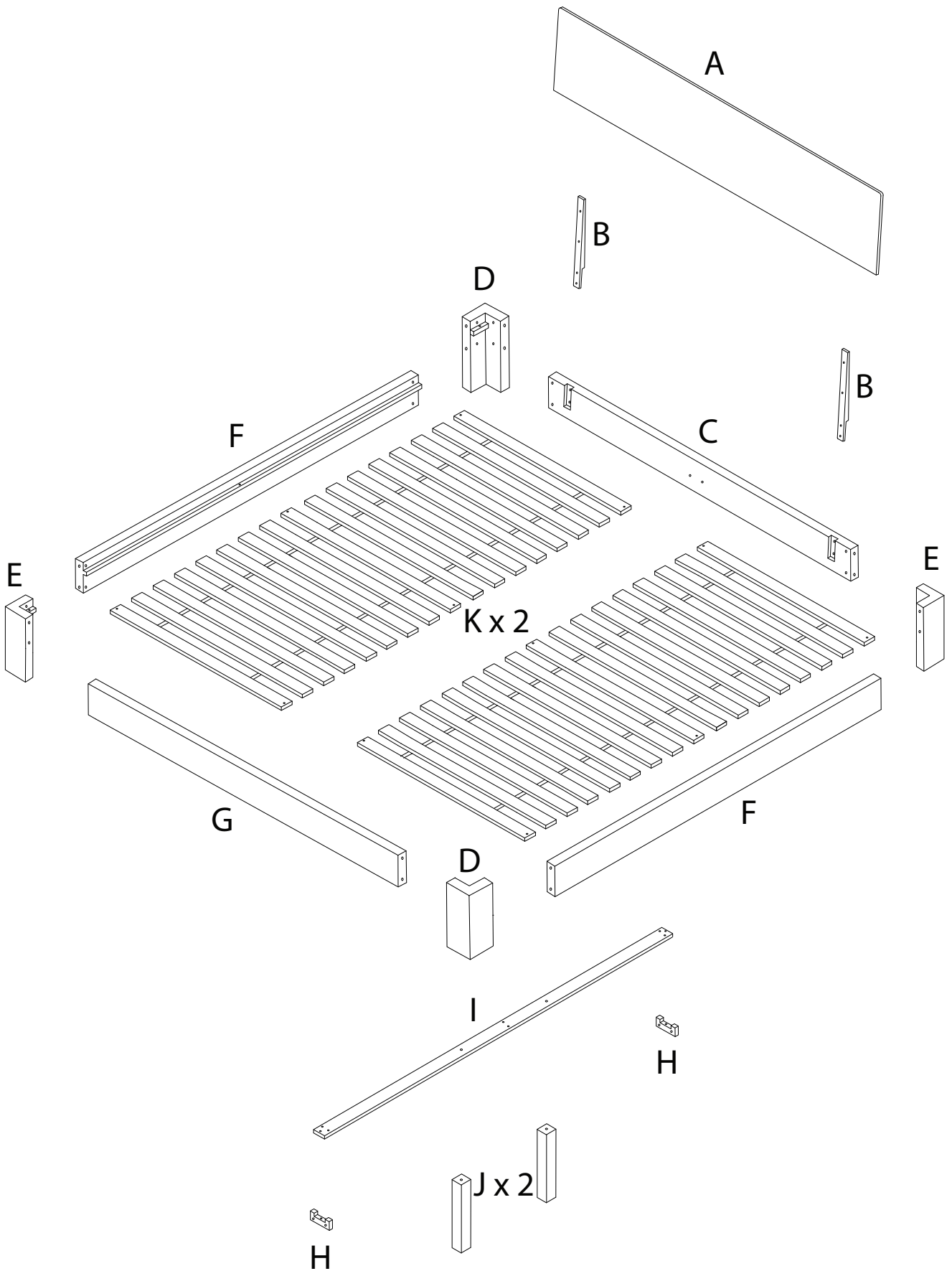


ROYAN

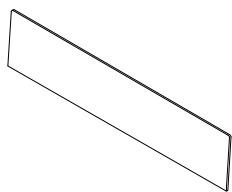




		
		<p>45'</p>
		
		<p>2</p>



A



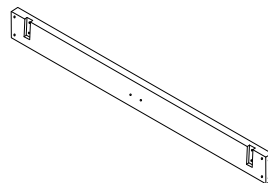
x 1

B



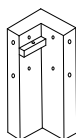
x 2

C



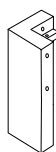
x 1

D



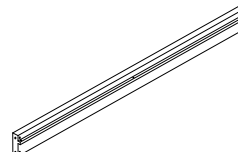
x 2

E



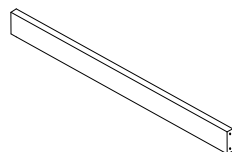
x 2

F



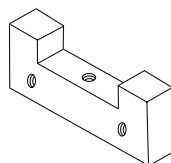
x 2

G



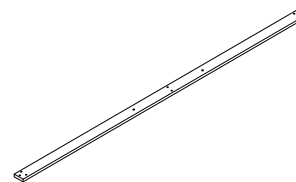
x 1

H



x 2

I



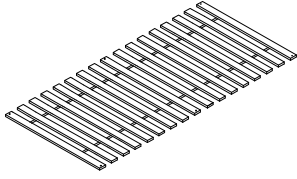
x 1

J



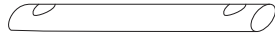
x 2

K



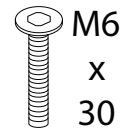
x 2

L



x 16

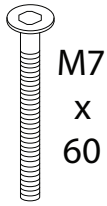
M



M6
x
30

x 40

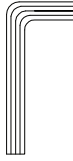
N



M7
x
60

x 2

O



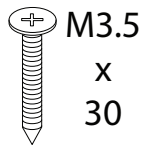
x 1

P



x 4

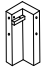
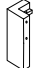
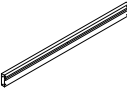
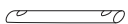

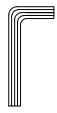
Q

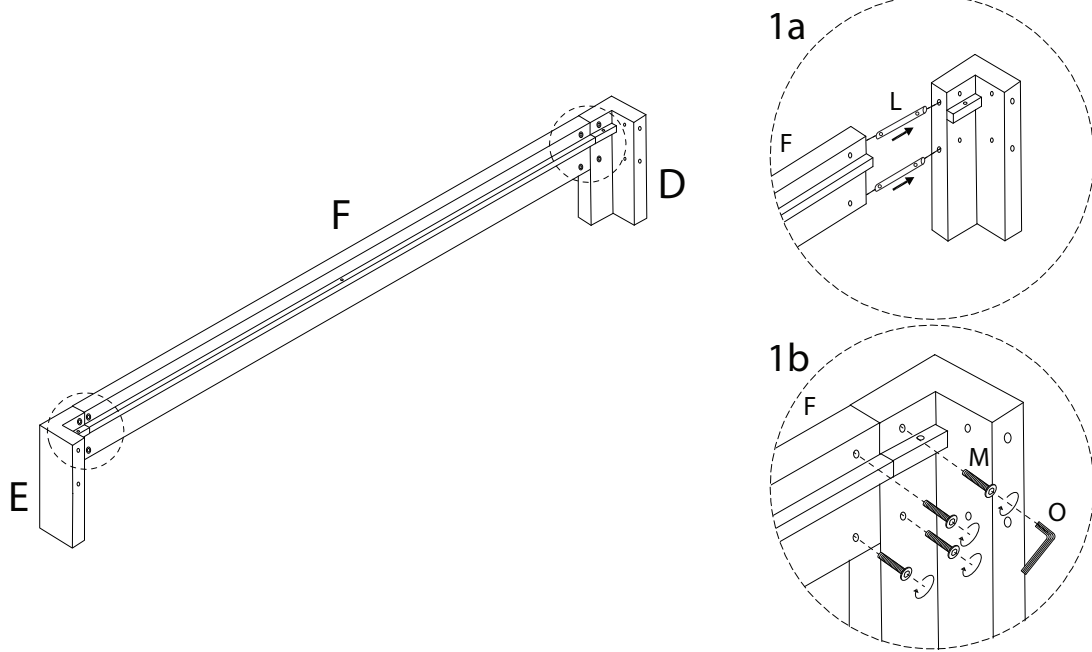


M3.5
x
30

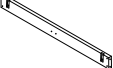

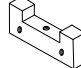

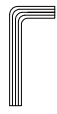
x 14

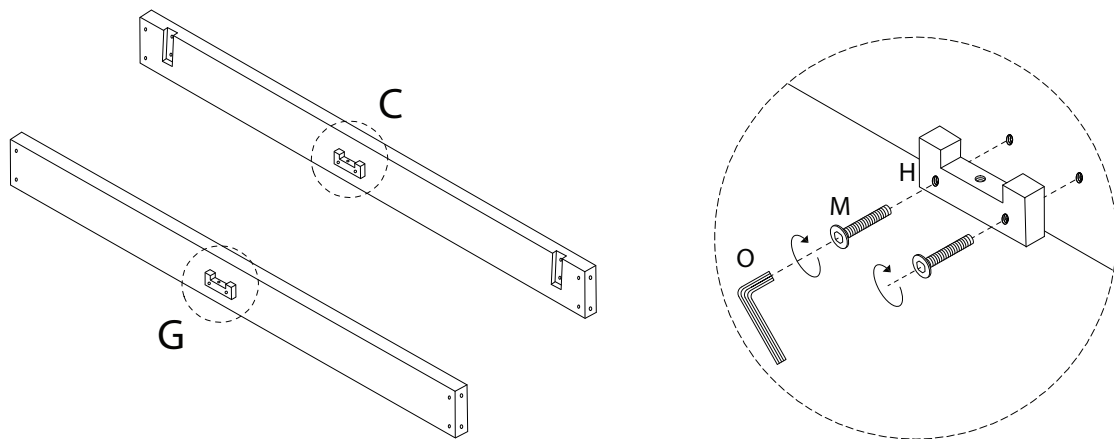
1 x 2

D	E	F	L	M	O
					
x 1	x 1	x 1	x 4	x 8	x 1



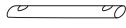
2

C	G	H	M	O
				
x 1	x 1	x 2	x 4	x 1



3

L



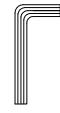
x 8

M

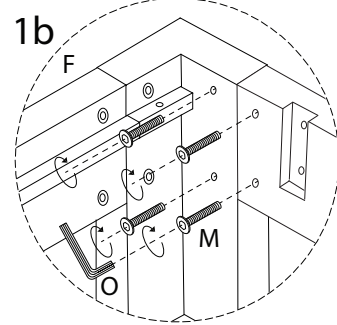
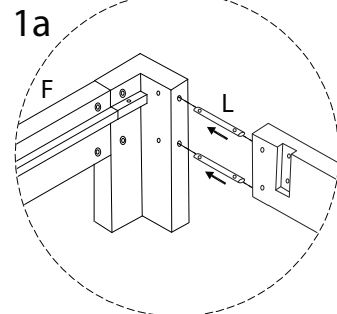
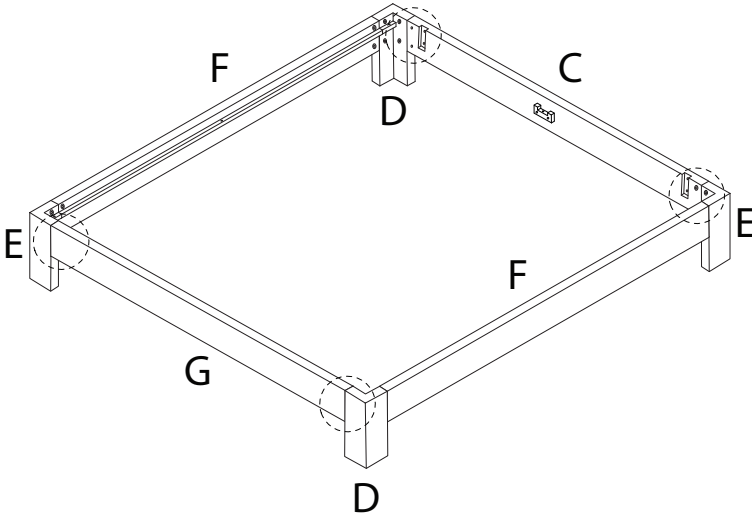


x 16

O

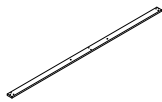


x 1



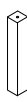
4

I



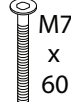
x 1

J



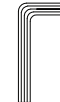
x 2

N

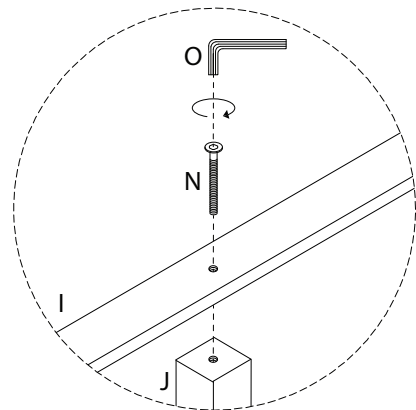
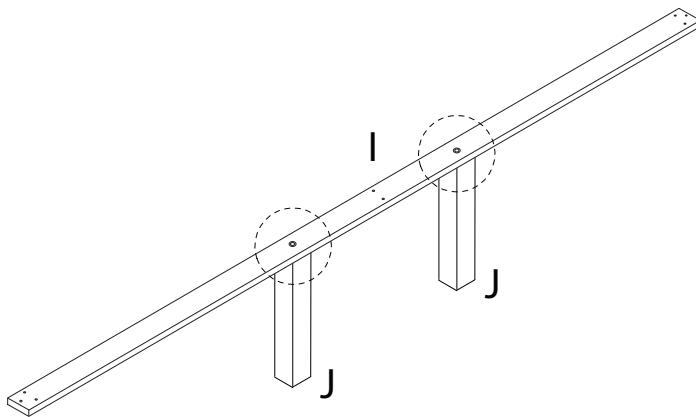


x 2

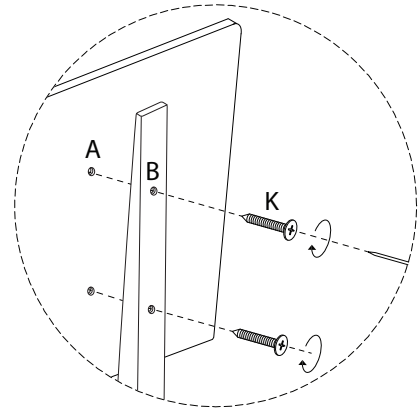
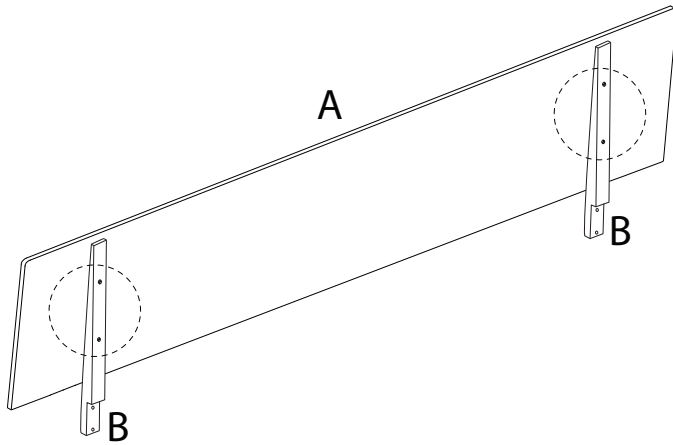
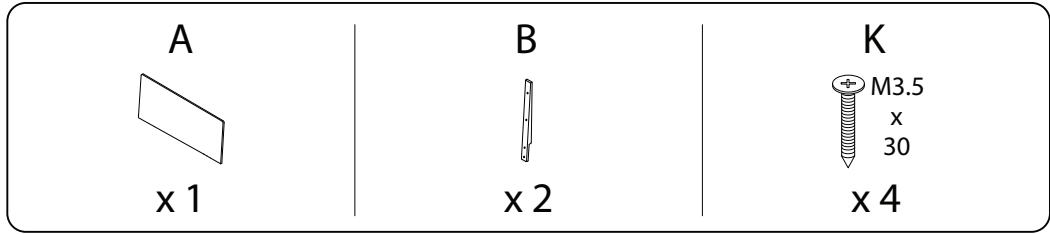
O



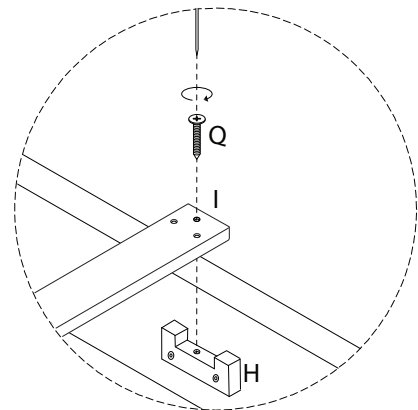
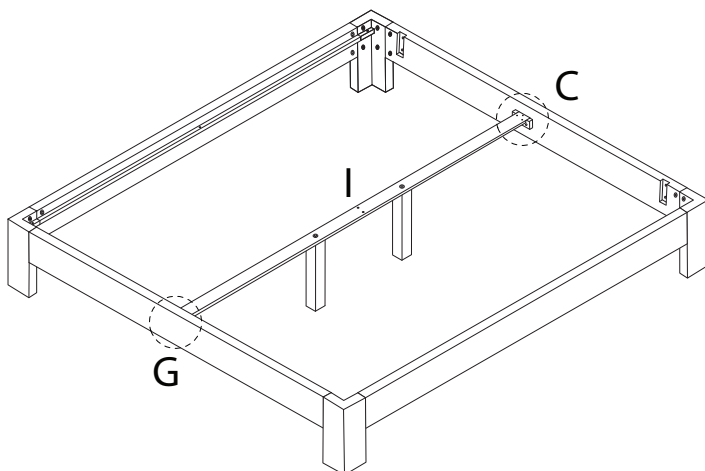
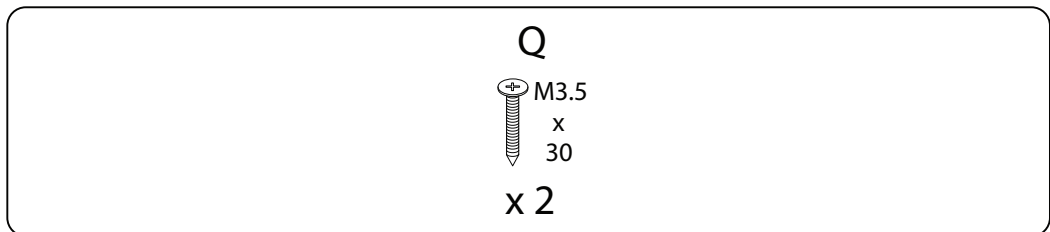
x 1



5



6

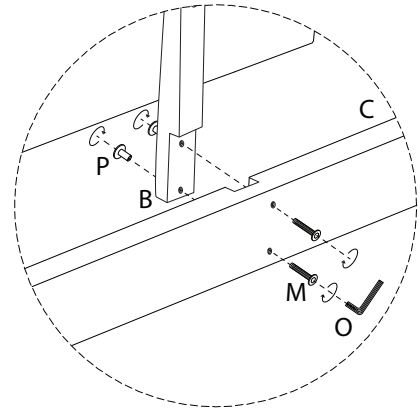
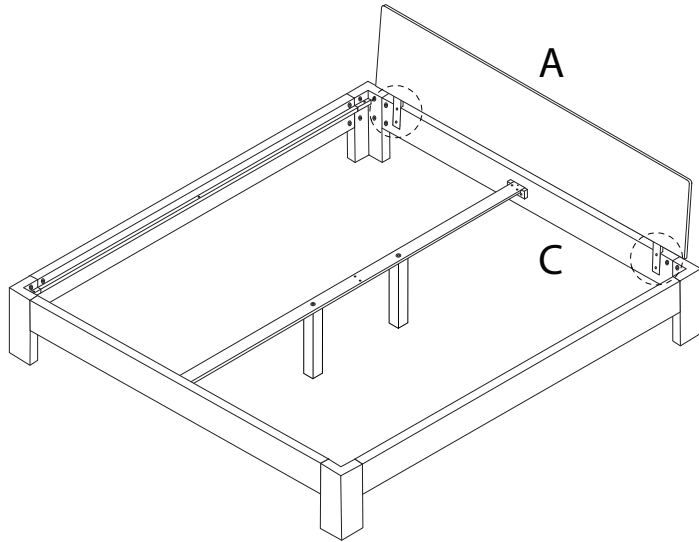


7

M
M6
x
30
x 4

P
x 4

O
x 1



8

K
x 2

Q
M3.5
x
30
x 12

