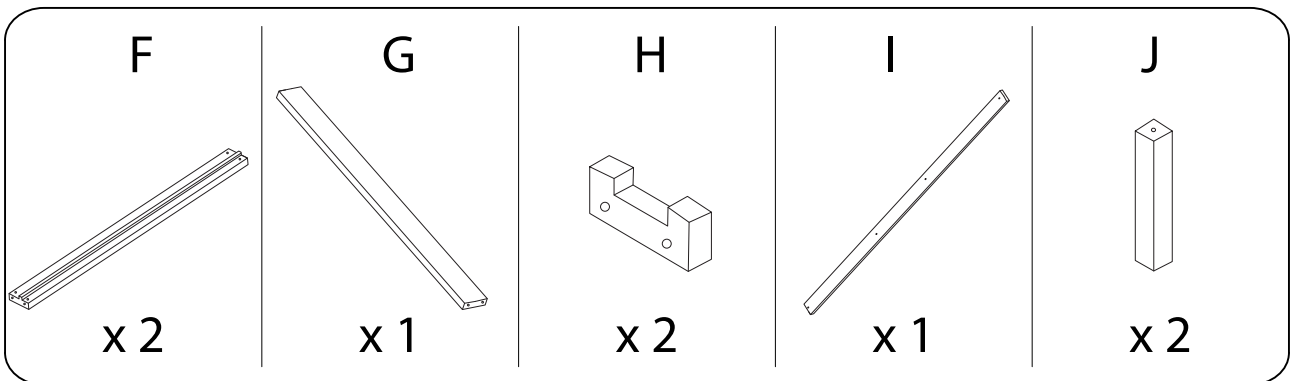
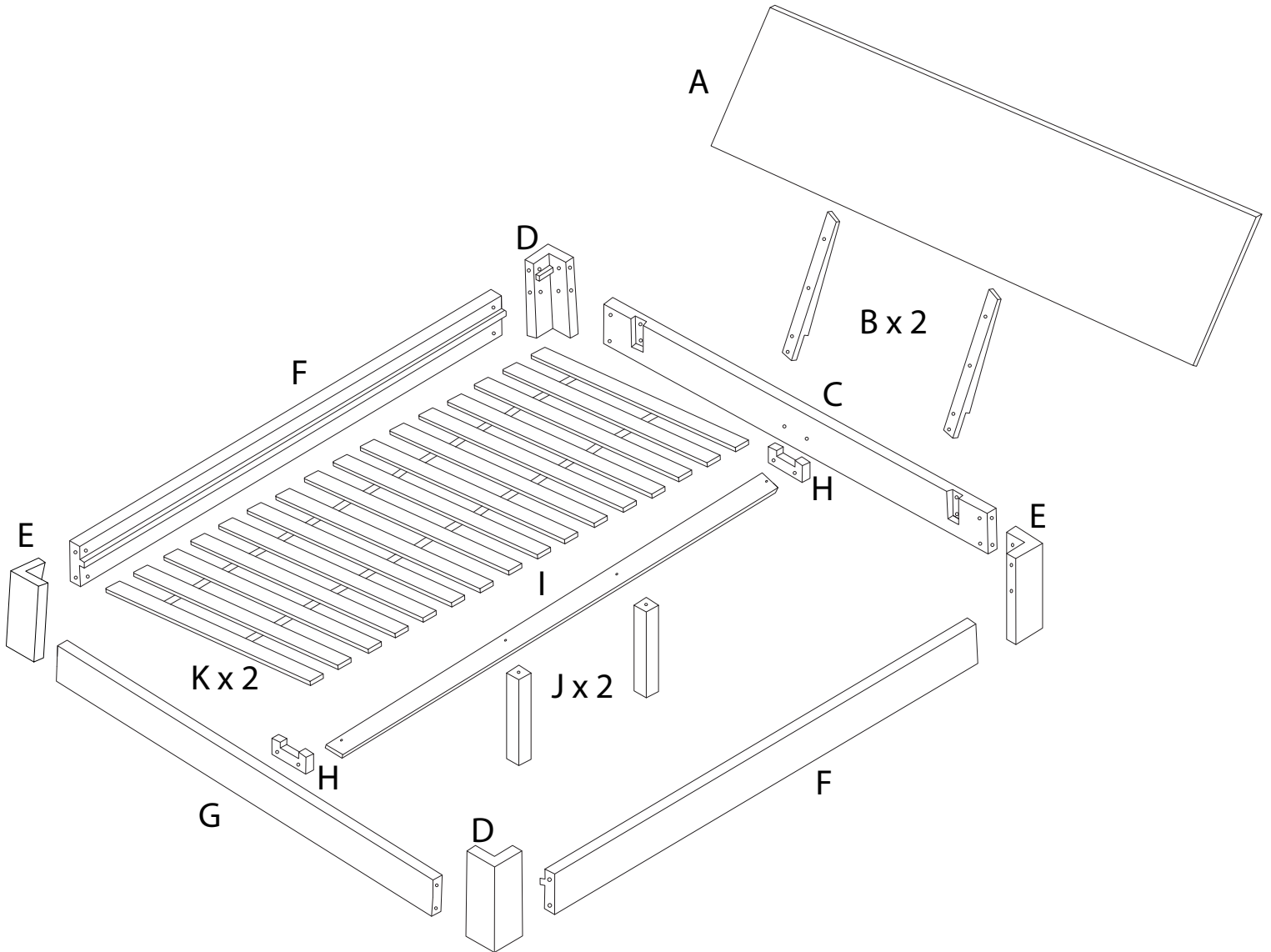
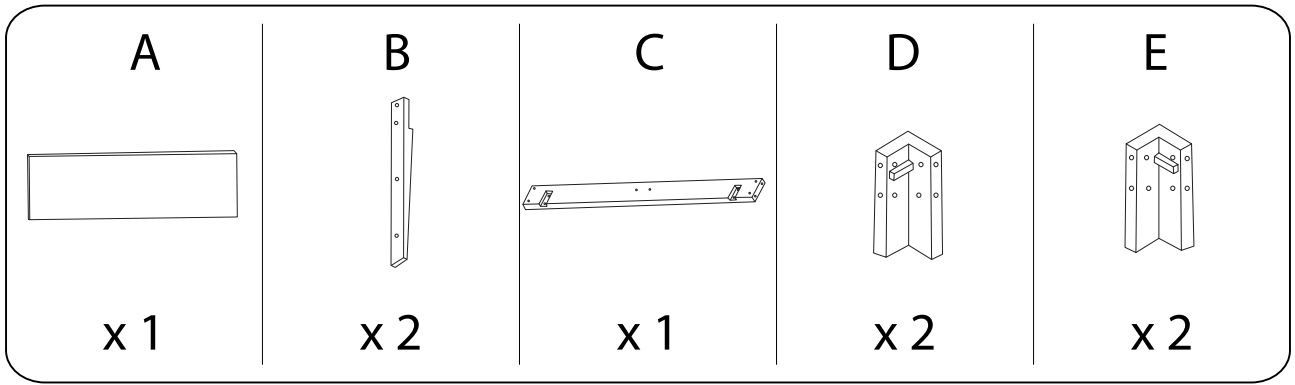
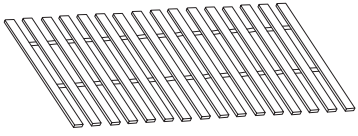


Assembly instructions for step 1/7:

- Tools:** A circle containing a screwdriver and an Allen key. A power drill is shown with a diagonal line through it, indicating it should not be used.
- Warning:** A triangle with an exclamation mark.
- Time:** A clock icon with the text "45'" below it.
- Personnel:** A stick figure icon with the number "1" below it.
- Diagram:** A circle showing a rectangular block being placed on a textured surface. A second diagram shows the block being pushed down, with a diagonal line through it, indicating a specific placement or force.

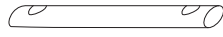


K



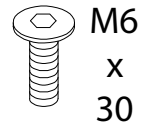
x 2

L



x 16

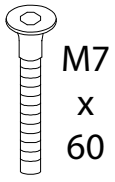
M



M6
x
30

x 40

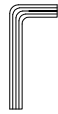
N



M7
x
60

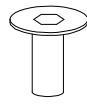
x 2

O



x 1

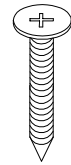
P



M8
x
20

x 4

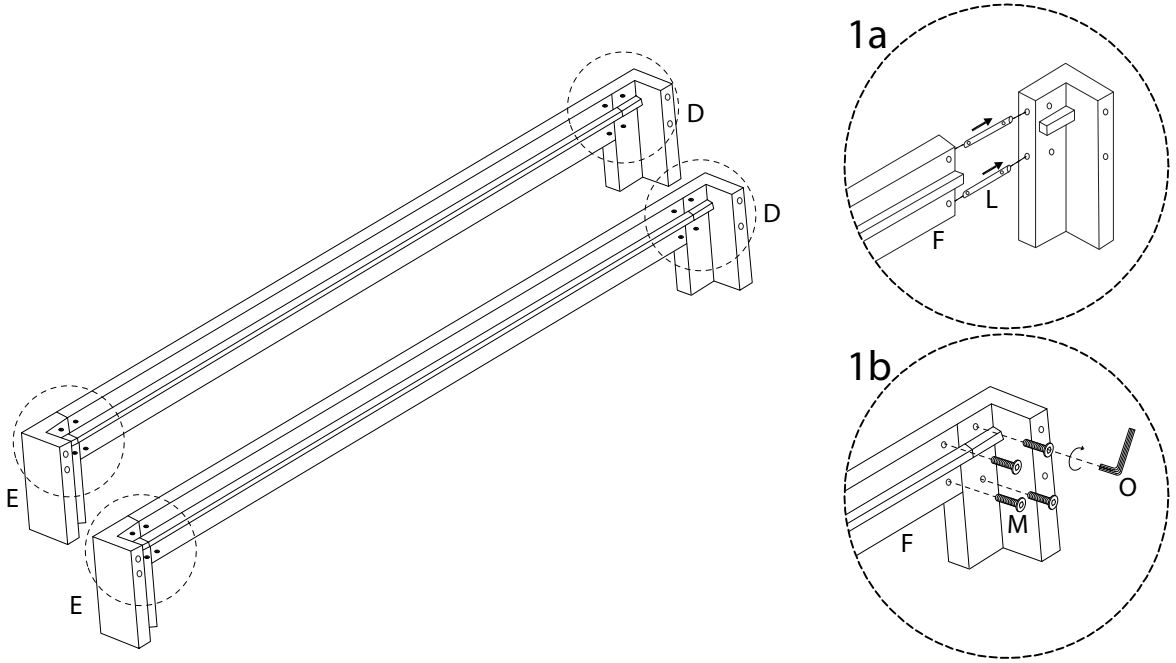
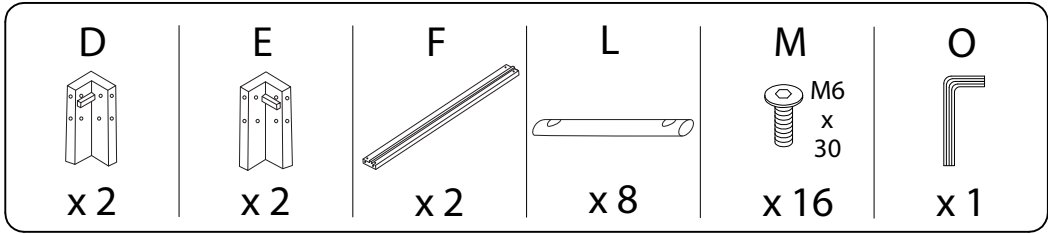
Q



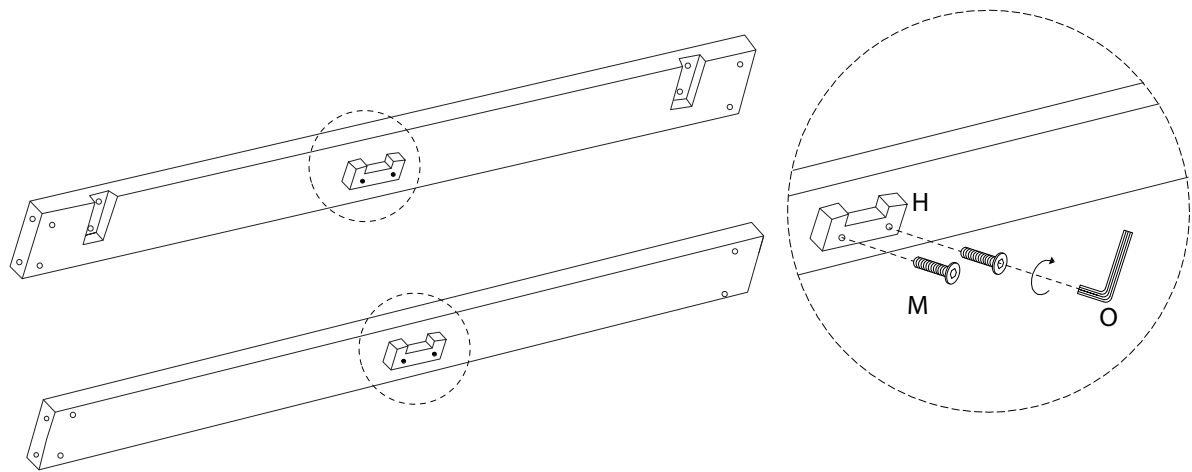
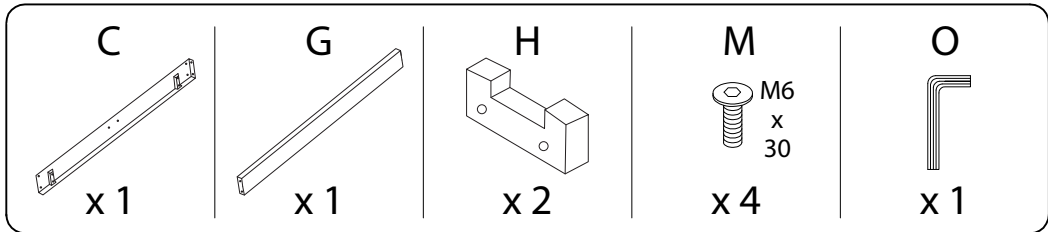
M3.5
x
30

x 16

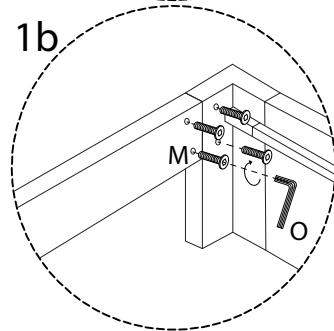
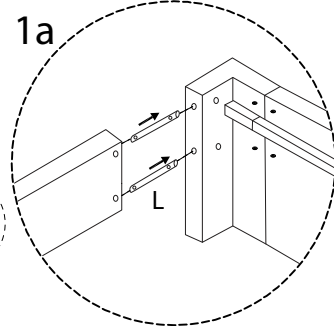
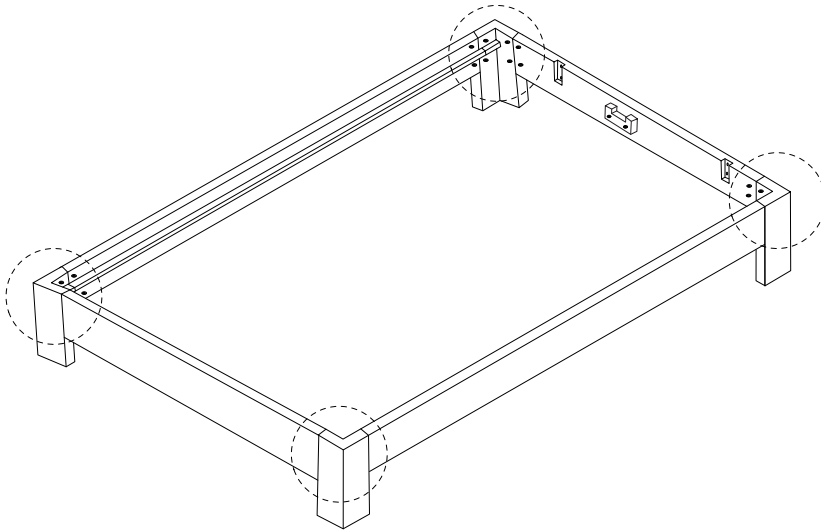
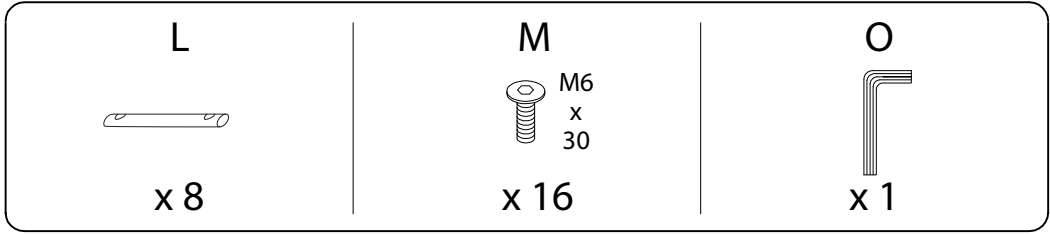
1



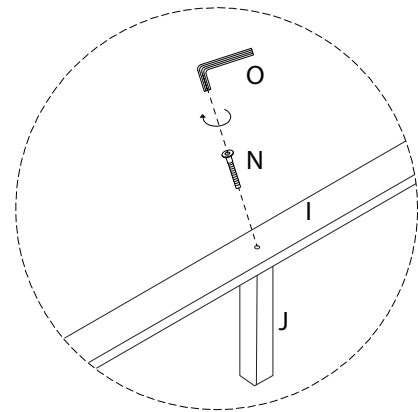
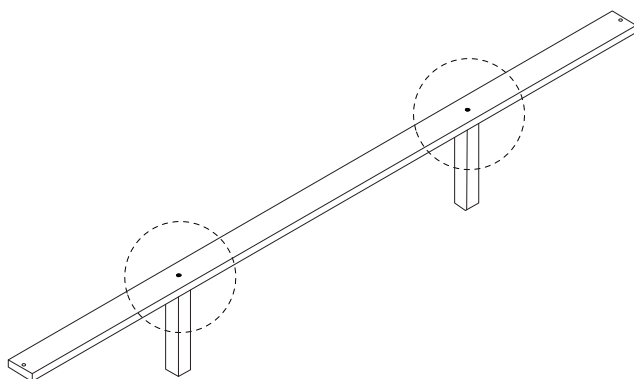
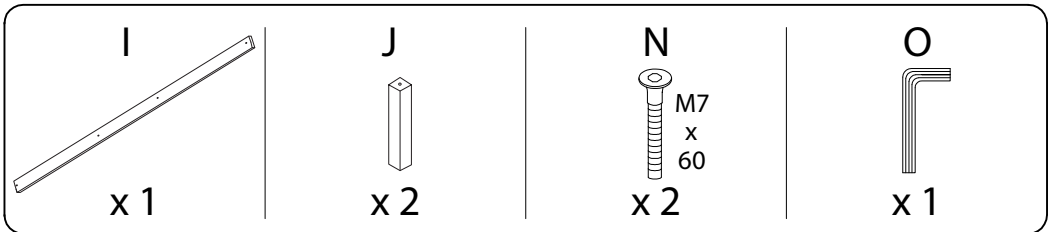
2



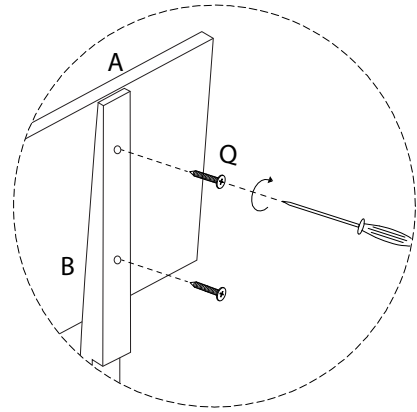
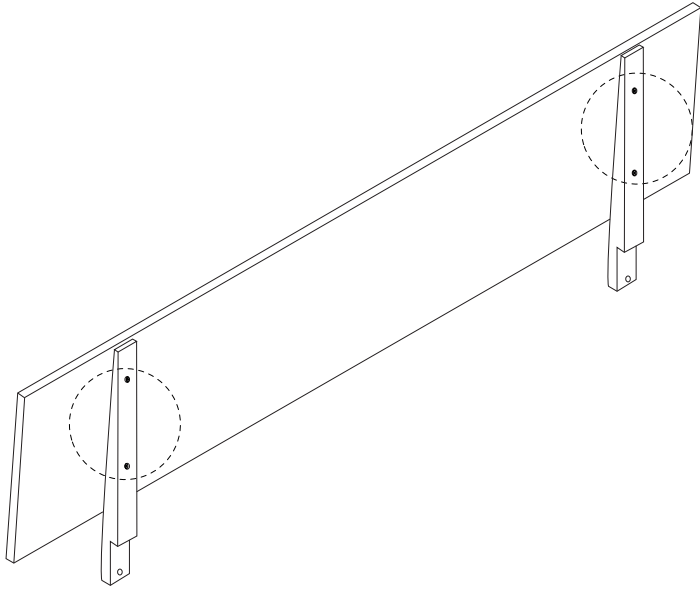
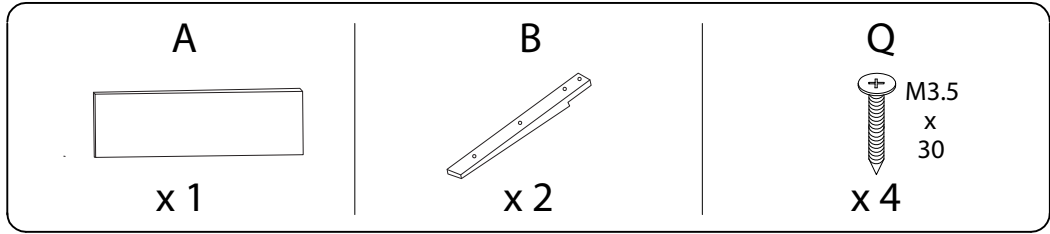
3



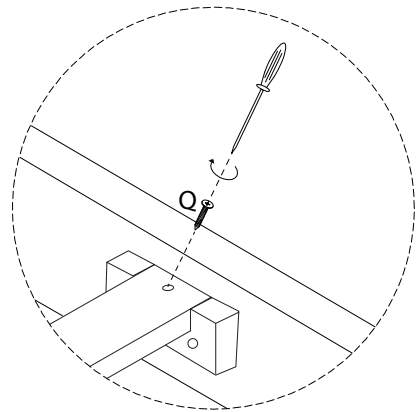
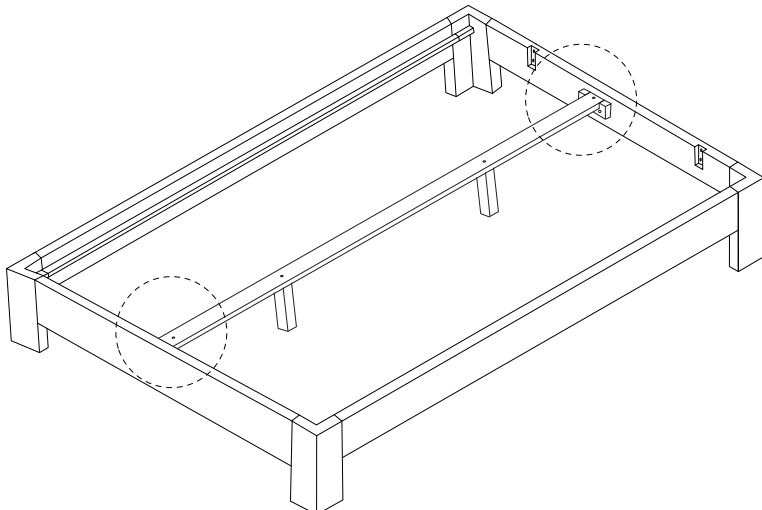
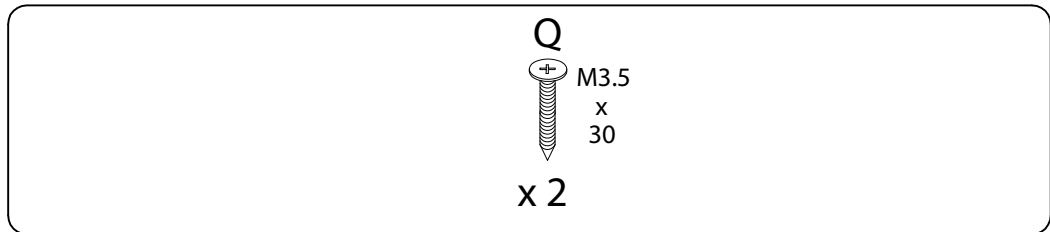
4



5



6



7

M

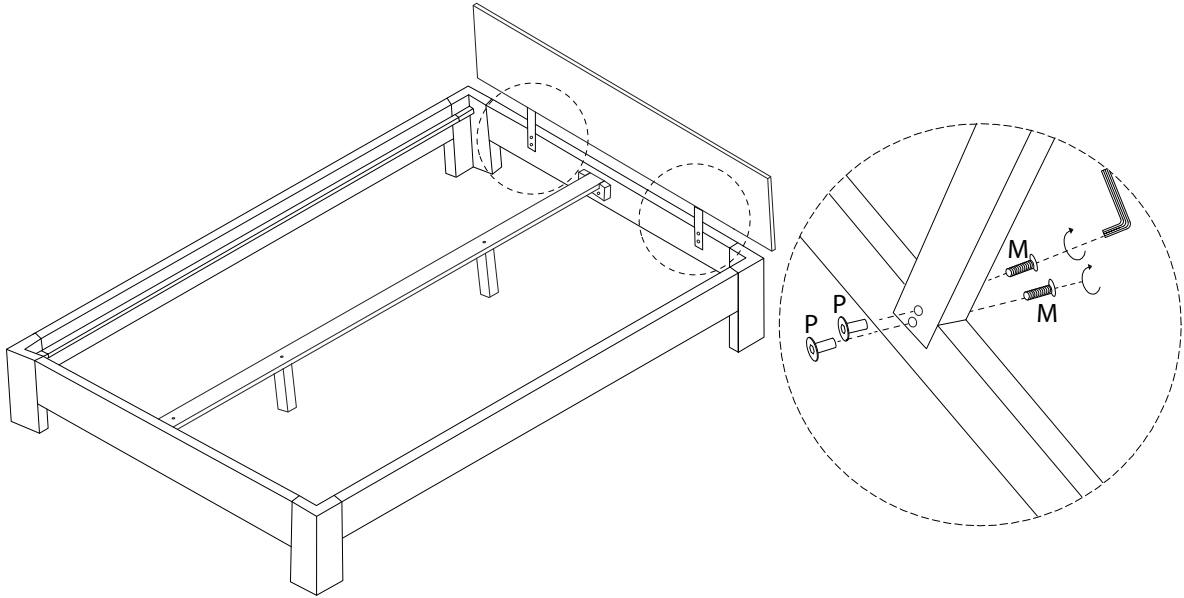
M6
x
30

x 4

P

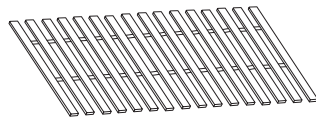
M8
x
20

x 4



8

K



x 2

Q

M3.5
x
30

x 12

