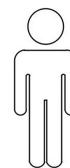
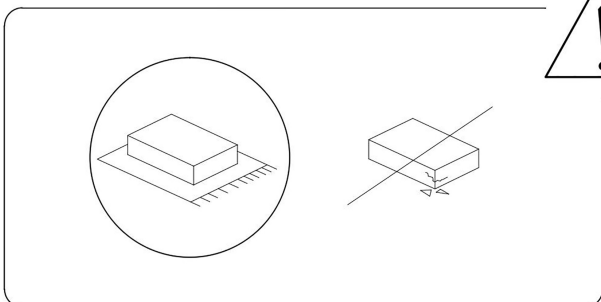




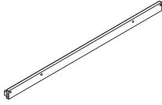
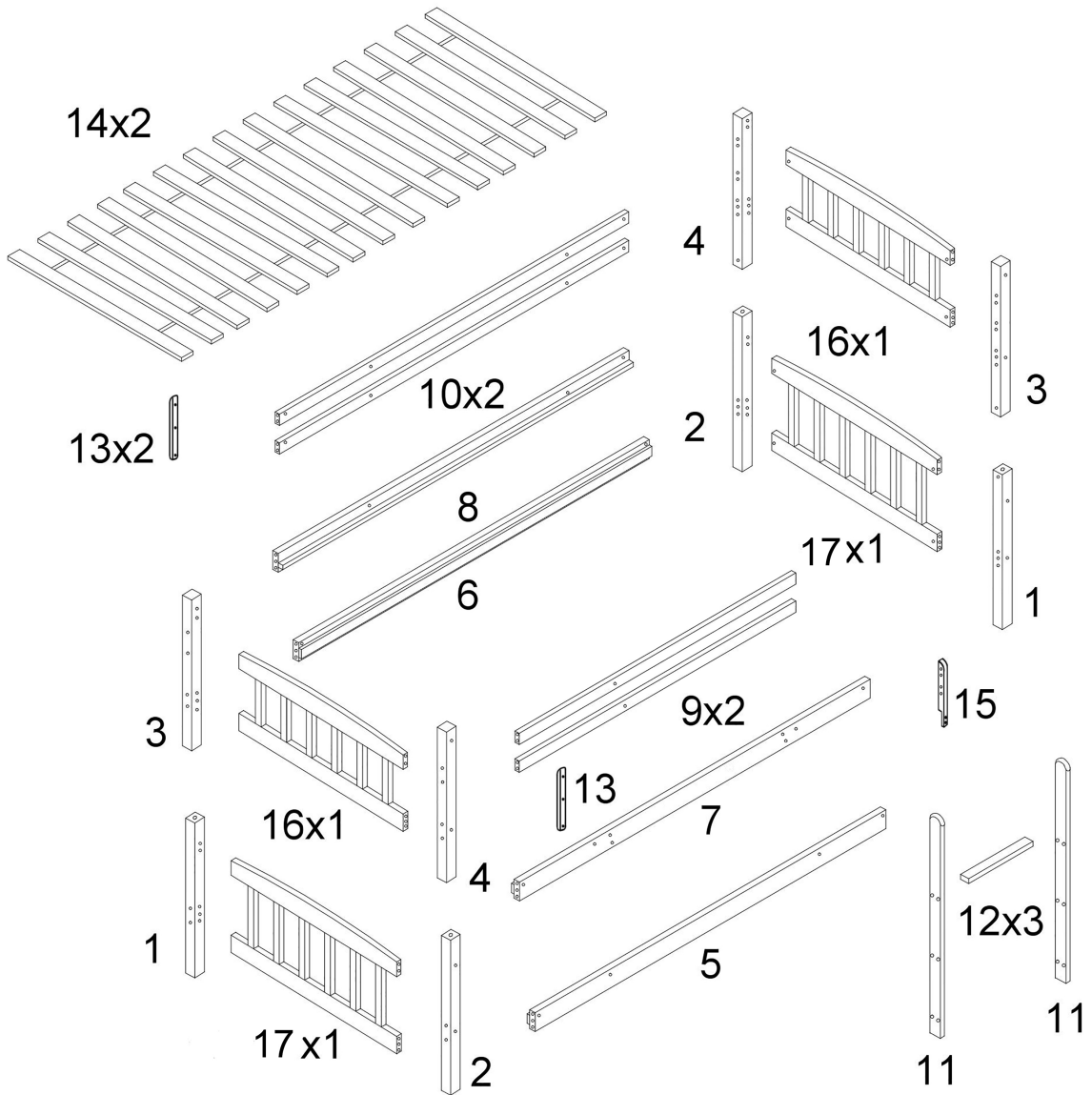



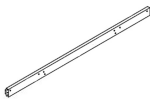
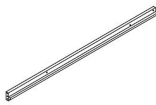
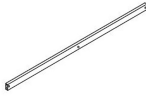

120'


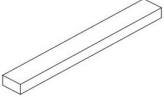

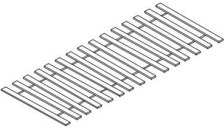

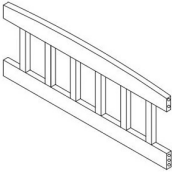
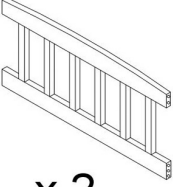



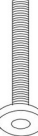

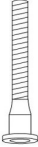



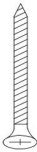



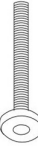
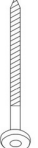



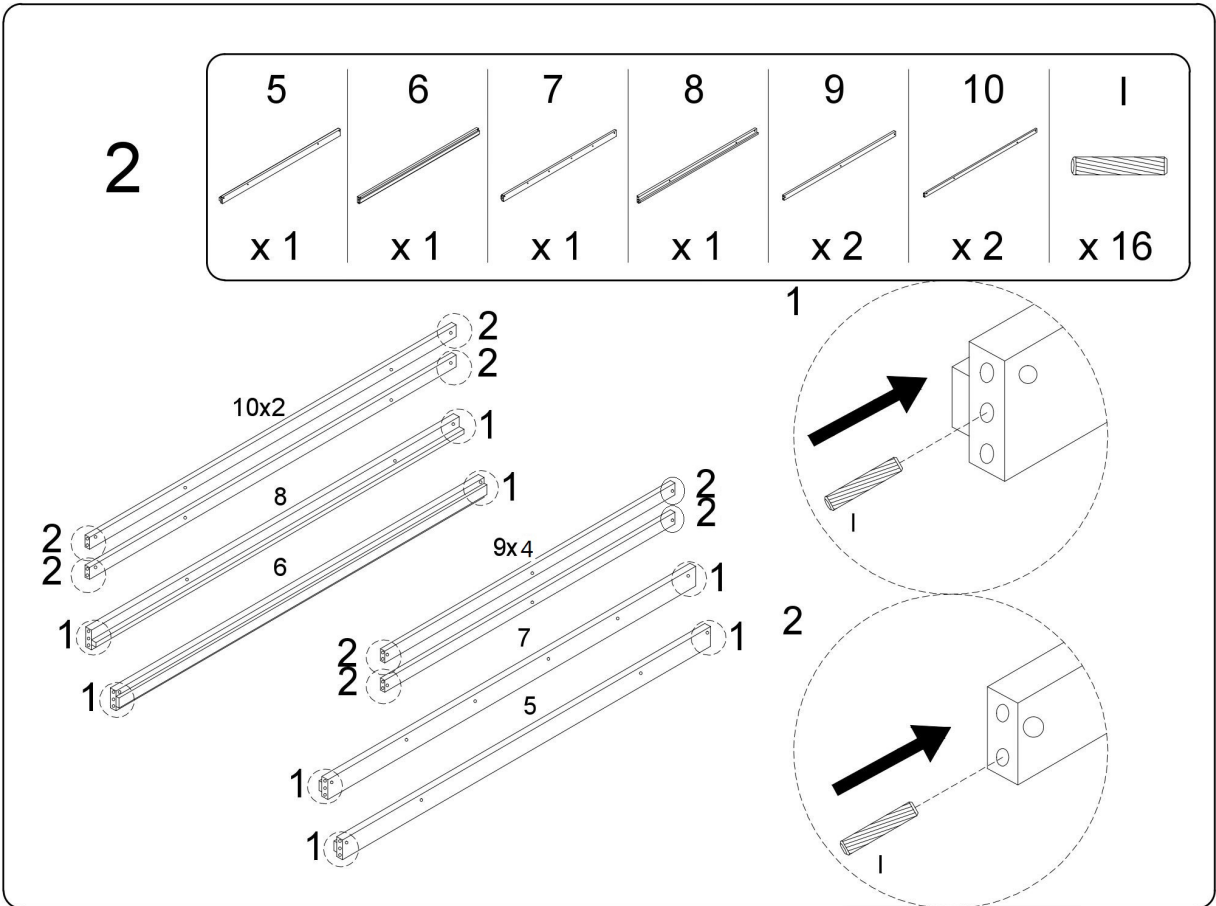
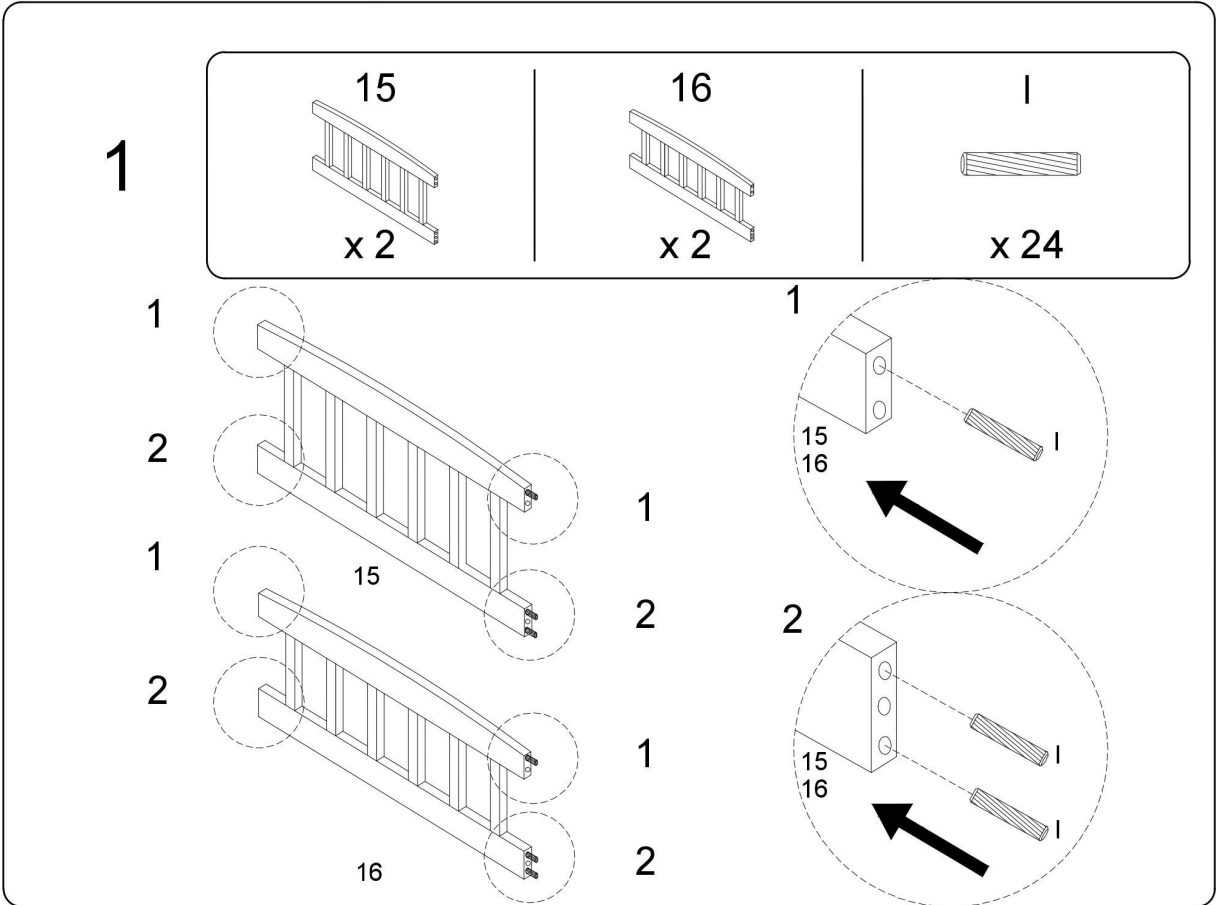
2

1  x 2	2  x 2	3  x 2	4  x 2	5  x 1
---	---	---	---	---










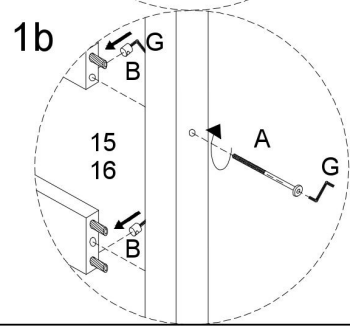
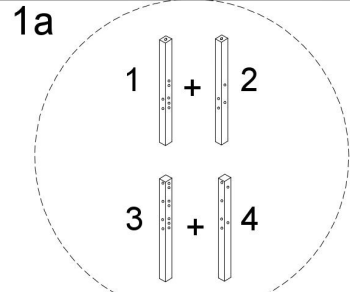
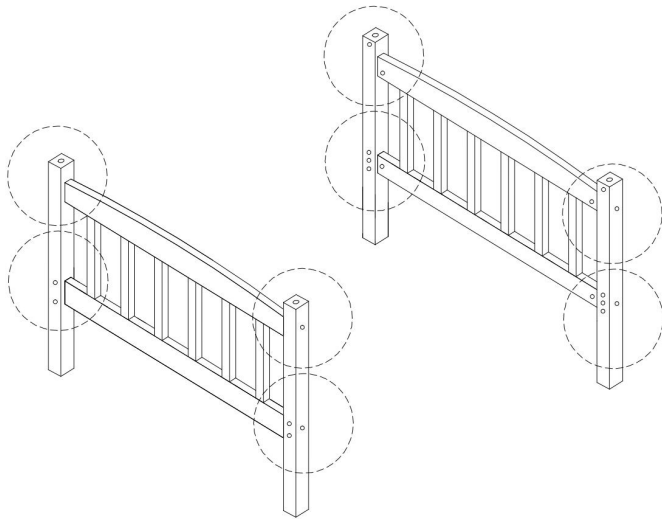
6  x 1	7  x 1	8  x 1	9  x 2	10  x 2
---	---	---	--	--

<p>11</p>  <p>x 2</p>	<p>12</p>  <p>x 3</p>	<p>13</p>  <p>x 3</p>	<p>14</p>  <p>x 2</p>
<p>15</p>  <p>x 1</p>	<p>16</p>  <p>x 2</p>	<p>17</p>  <p>x 2</p>	<p>A</p>  <p>M6 x 90</p> <p>x 38</p>
<p>B</p>  <p>x 40</p>	<p>C</p>  <p>M6 x 70</p> <p>x 2</p>	<p>D</p>  <p>M6 x 30</p> <p>x 9</p>	<p>E</p>  <p>x 2</p>
<p>F</p>  <p>Ø7 x 60</p> <p>x 12</p>	<p>G</p>  <p>x 2</p>	<p>H</p>  <p>Ø12 x 60</p> <p>x 4</p>	<p>I</p>  <p>Ø8 x 30</p> <p>x 40</p>
<p>J</p>  <p>Ø4 x 30</p> <p>x 72</p>	<p>K</p>  <p>Ø8</p> <p>x 12</p>	<p>L</p>  <p>x 2</p>	<p>M</p>  <p>x 4</p>
<p>N</p>  <p>M6 x 50</p> <p>x 2</p>	<p>O</p>  <p>M6 x 70</p> <p>x 4</p>	<p>Q</p>  <p>Ø10</p> <p>x 2</p>	











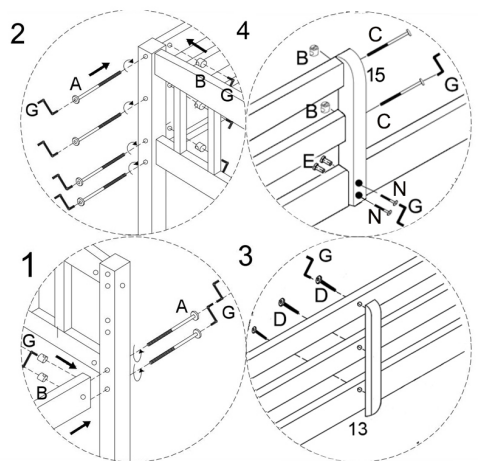
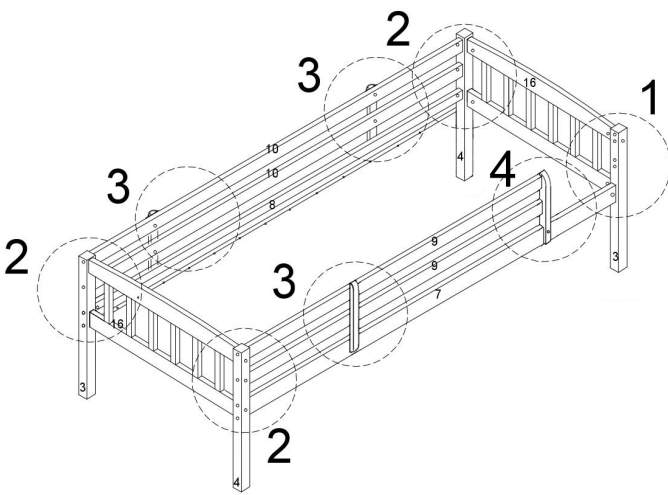
3

1  x 2	2  x 2	3  x 2	4  x 2	A  M6 x 90 x 16	B  x 16	G  x 2
---	---	---	---	---	--	---



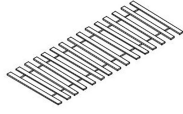
4

13  x 4	15  x 1	A  M6 x 90 x 14	B  x 16	C  M6 x 70 x 2	D  M6 x 30 x 9	E  x 2	N  M6 x 50 x 2
--	--	--	--	---	---	---	---



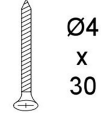
5

14

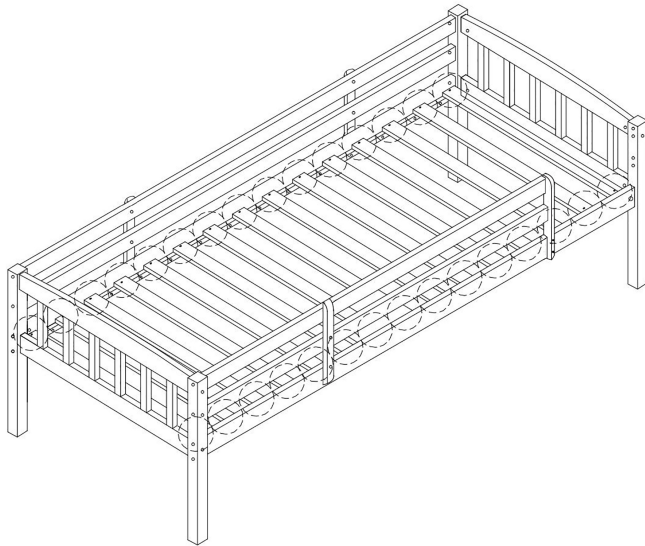


x 1

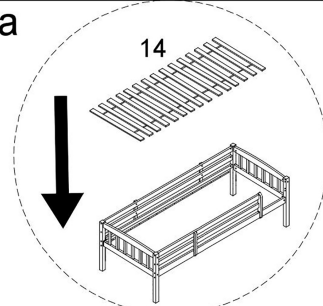
J



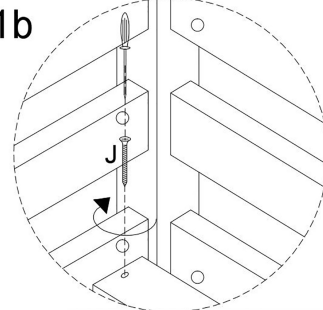
x 30



1a



1b



6

A



x 8

B

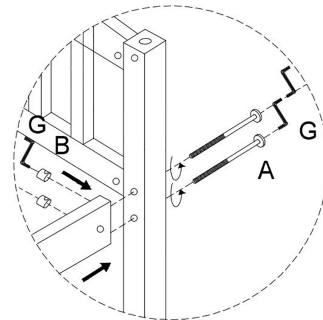
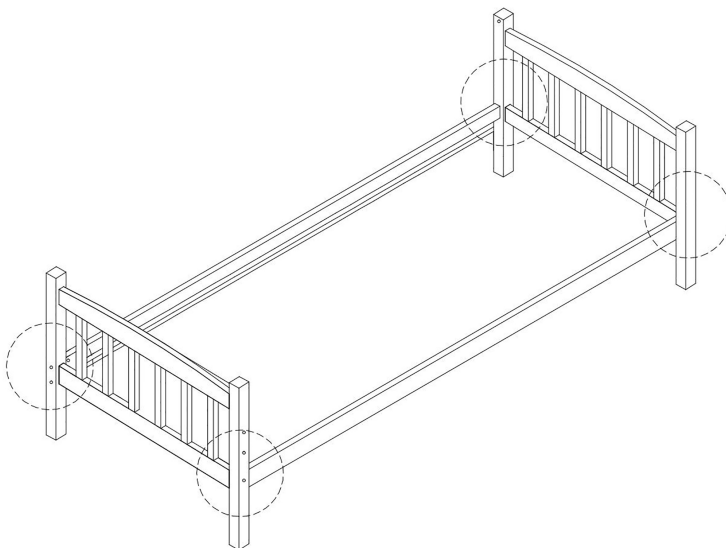


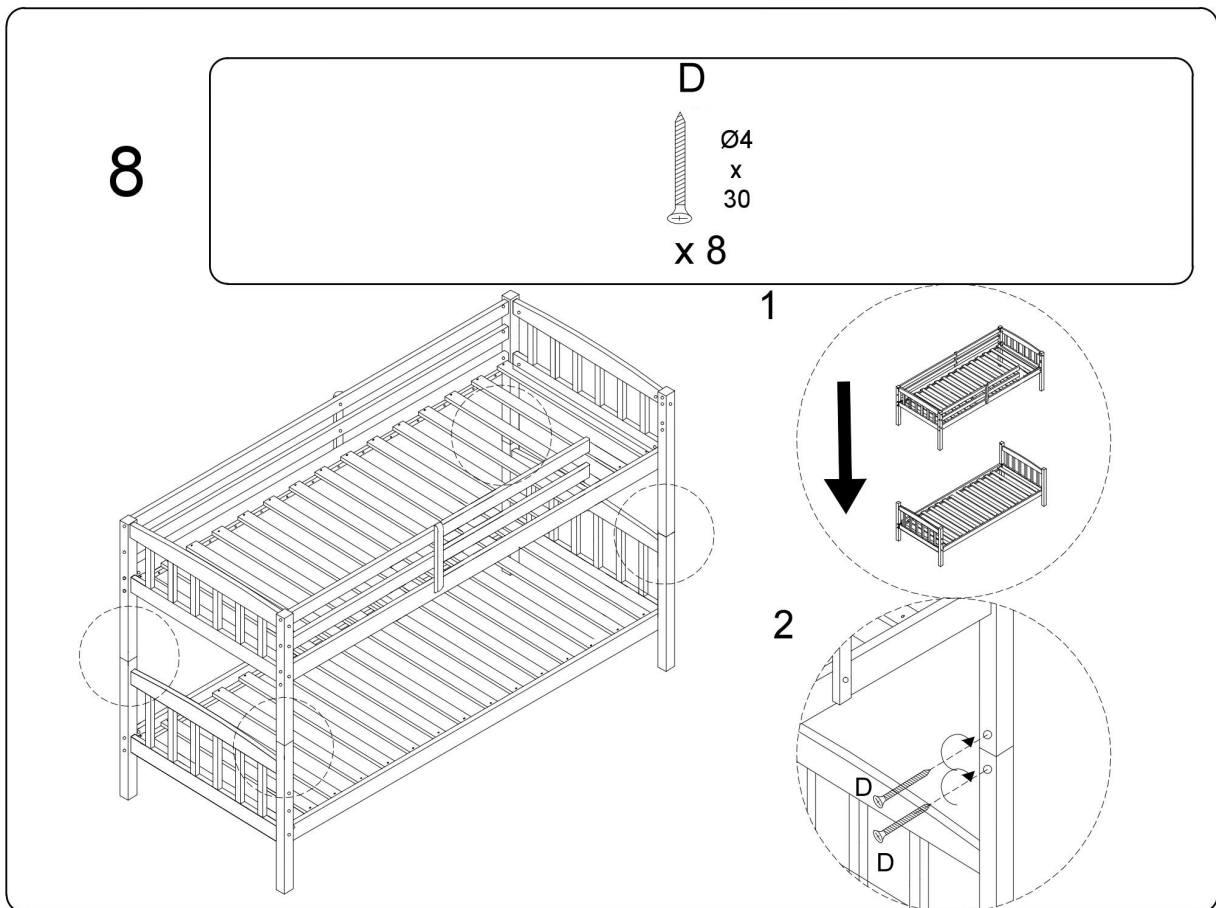
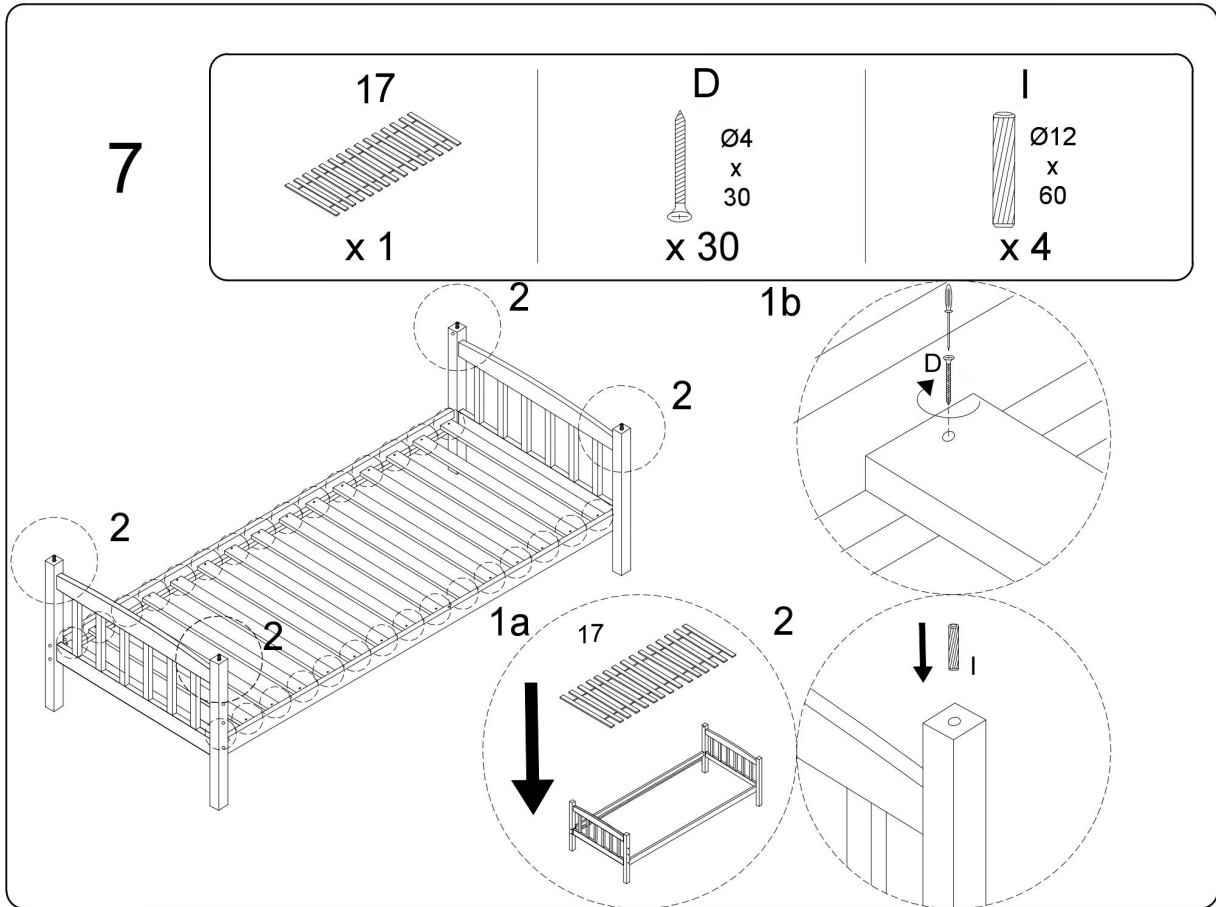
x 8

G


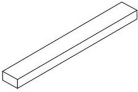

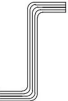


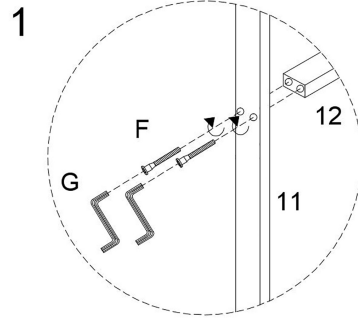
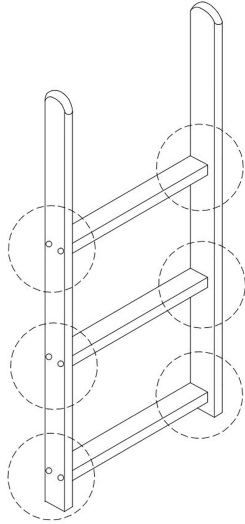
x 2







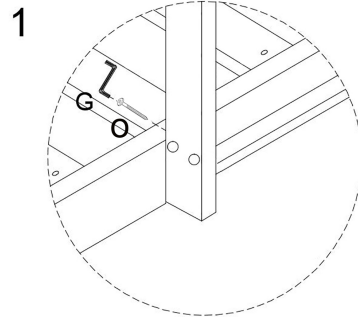
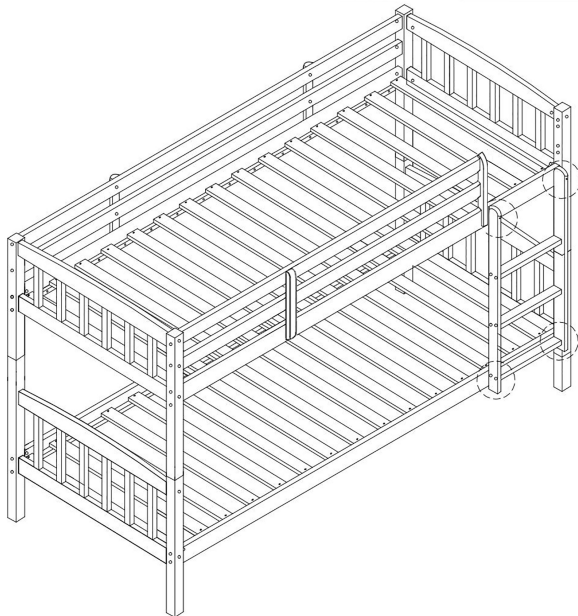
9

11  x 2	12  x 3	F  Ø7 x 60 x 12	G  x 1
---	---	--	--

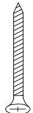






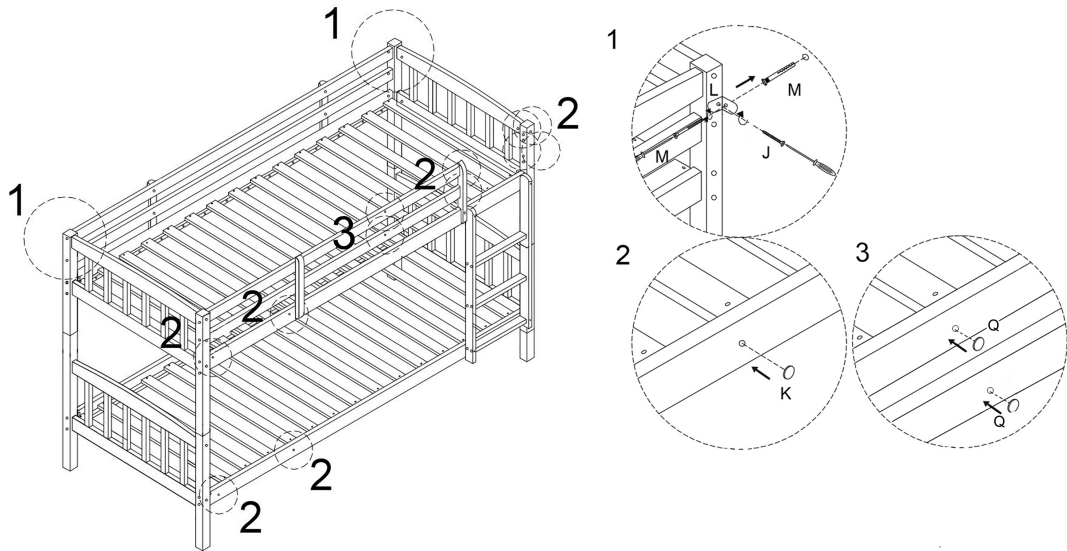
10

O  M6 x 70 x 4	G  x 2
---	--



11

J  Ø4 x 30 x 4	K  Ø8 x 12	L  x 2	M  x 4	Q  Ø10 x 2
--	---	--	---	---



!

