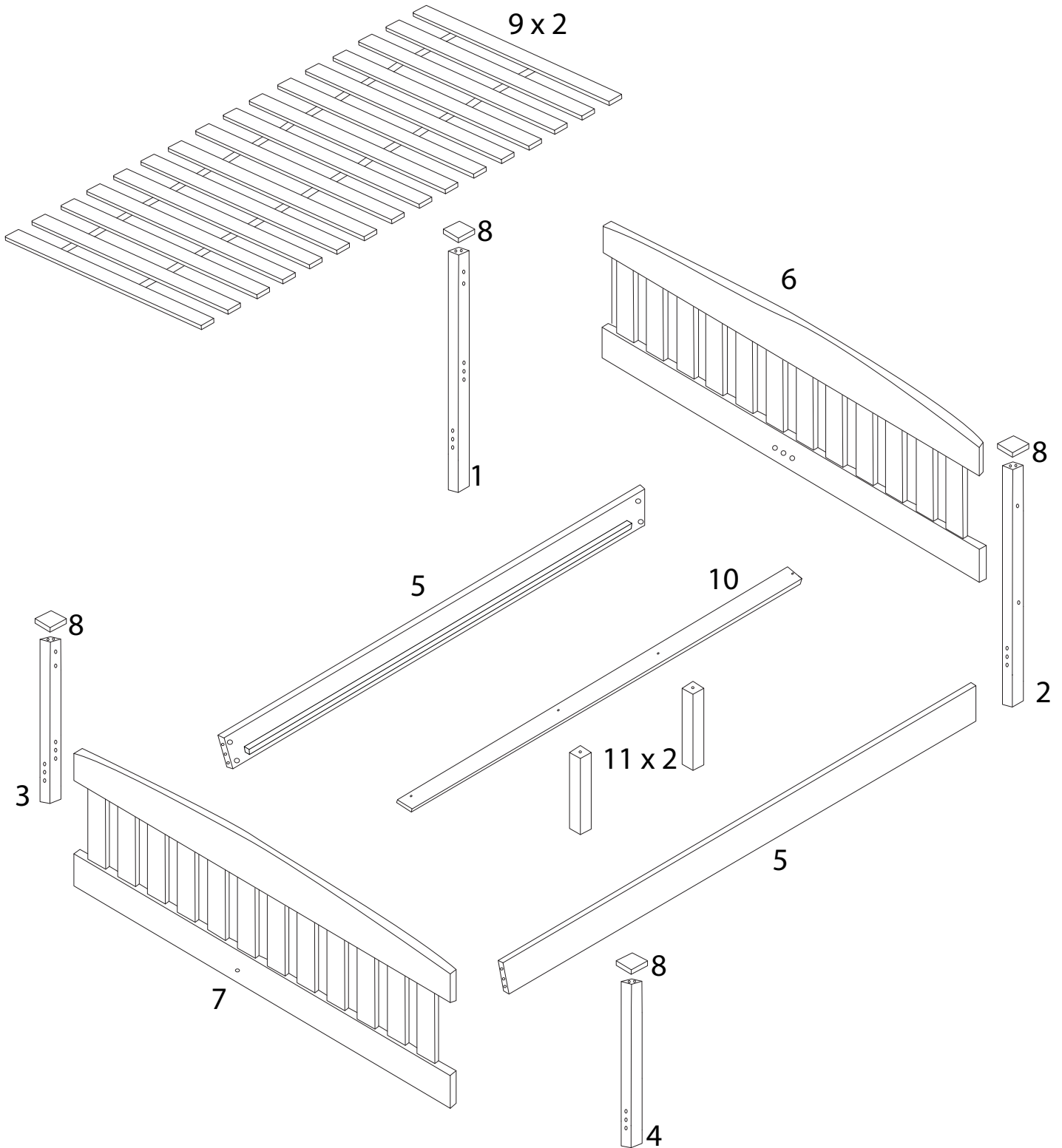
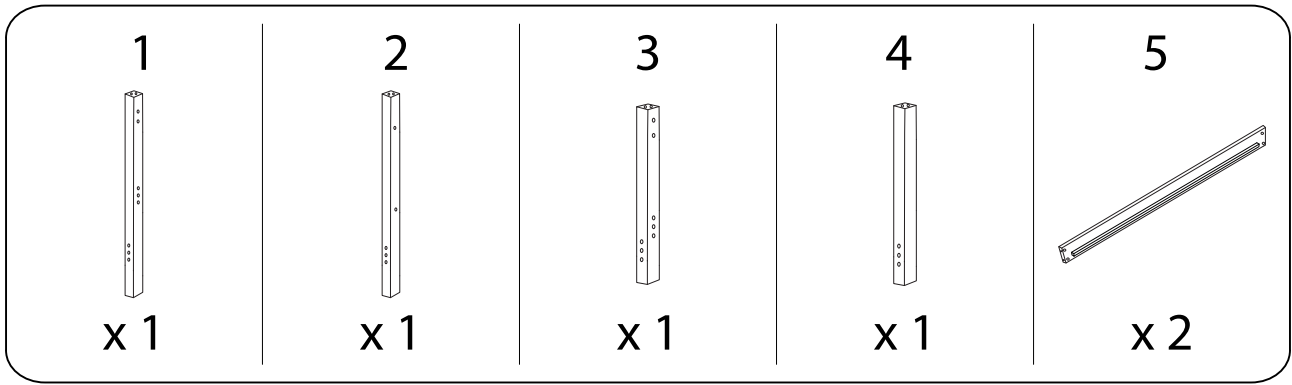
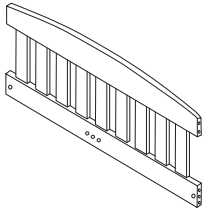


45'

2

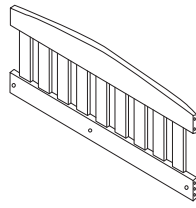


6



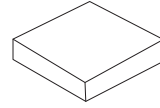
x 1

7



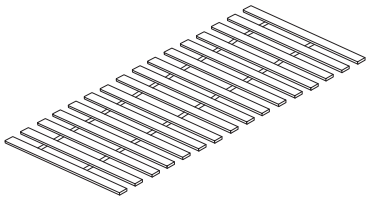
x 1

8



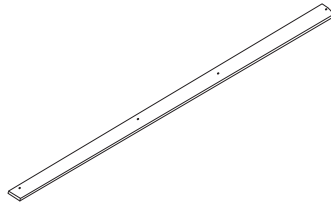
x 4

9



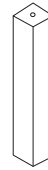
x 2

10



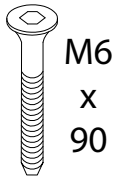
x 1

11



x 2

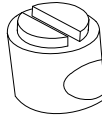
A



M6
x
90

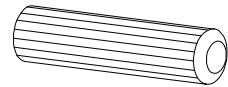
x 12

B



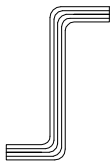
x 12

C



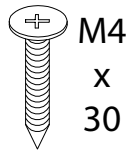
x 28

D



x 1

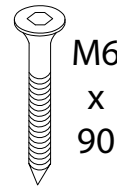
E



M4
x
30

x 60

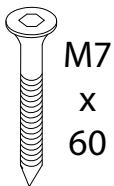
F



M6
x
90

x 4

G



M7
x
60

x 4

H



x 1

M



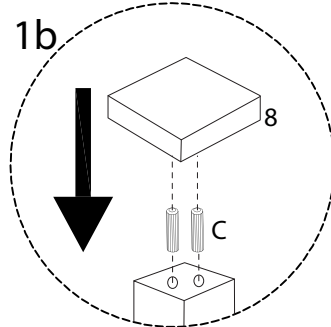
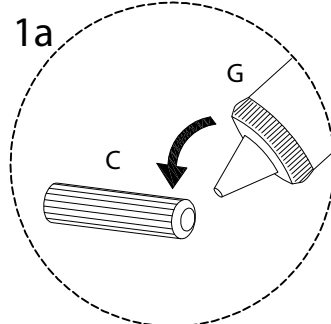
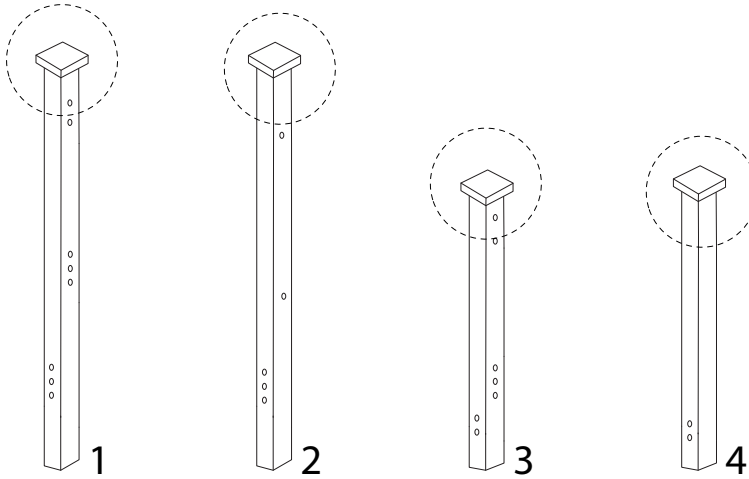
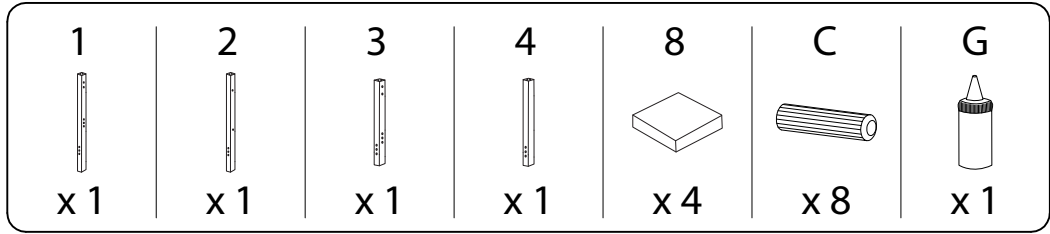
x 16

N

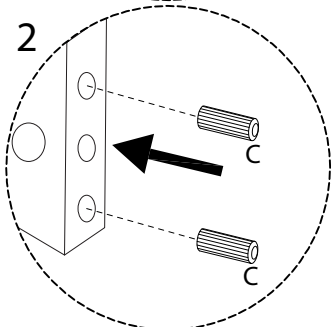
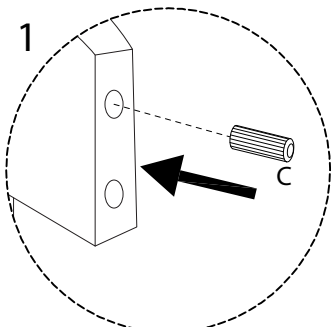
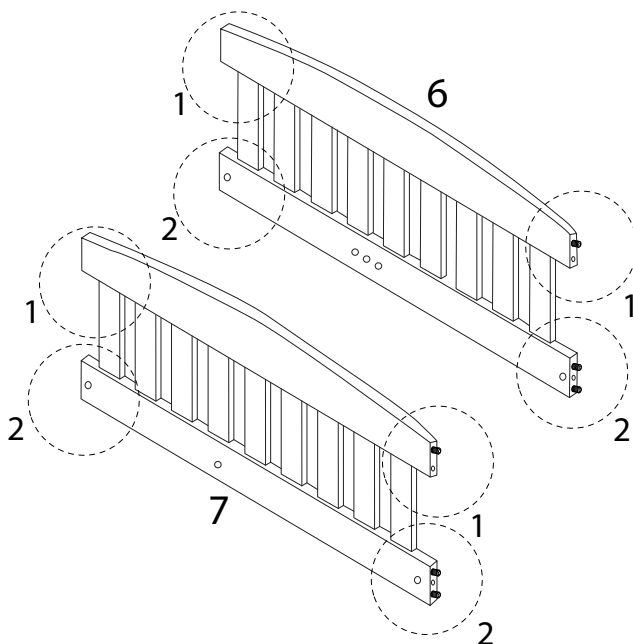
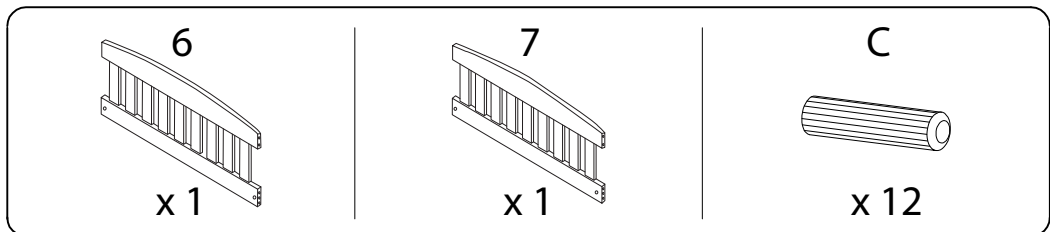


x 2

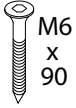

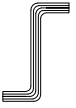

1

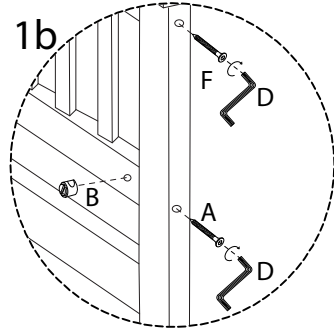
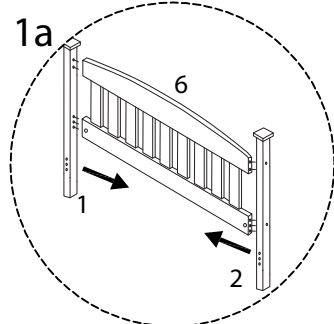
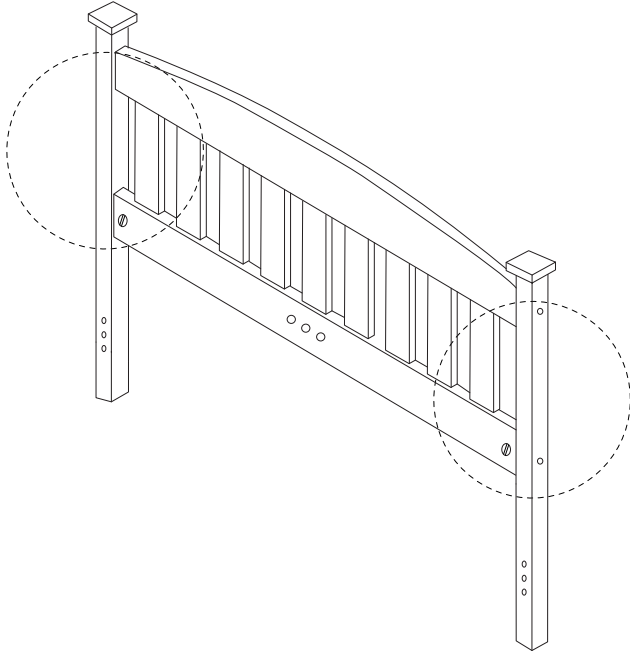


2

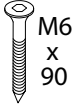


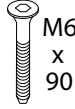


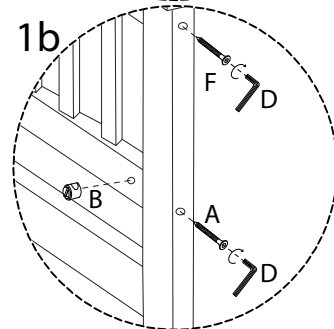
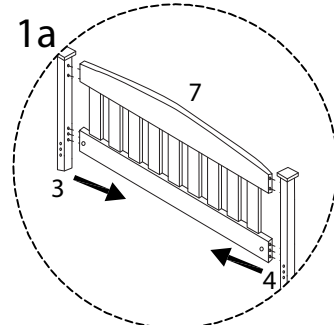
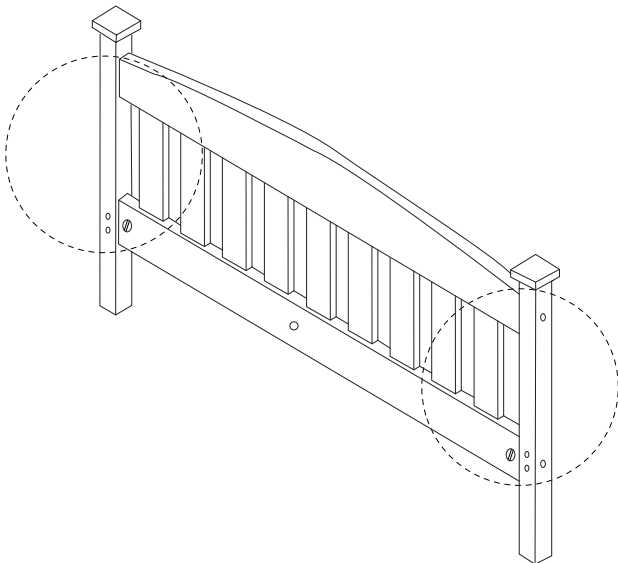
3

A  x 2	B  x 2	D  x 1	F  x 2
--	--	---	--



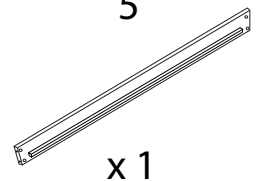
4

A  x 2	B  x 2	D  x 1	F  x 2
--	--	---	--



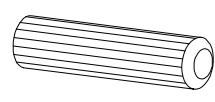
5x2

5

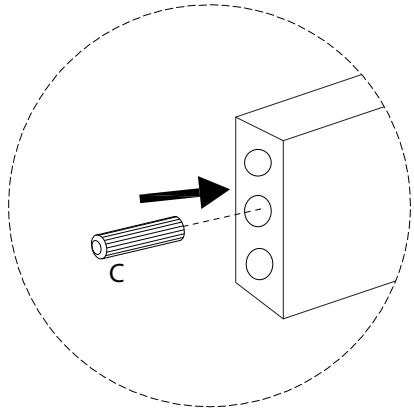
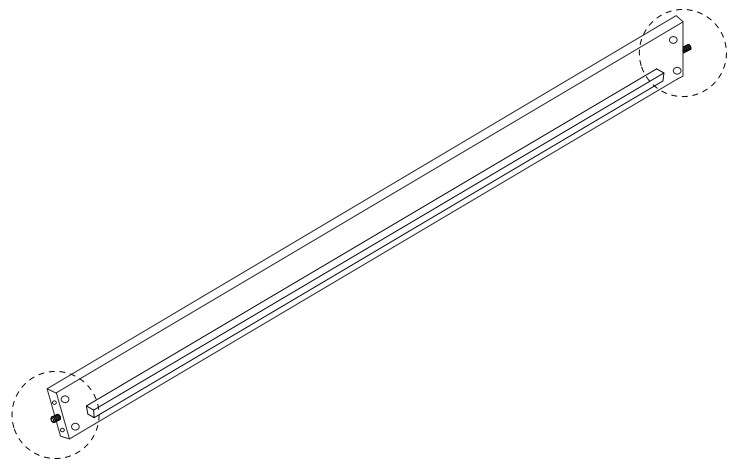


x1

C

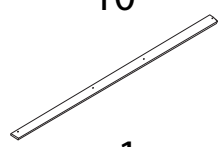


x2



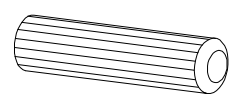
6

10

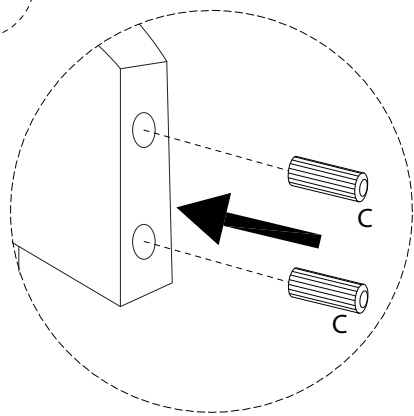
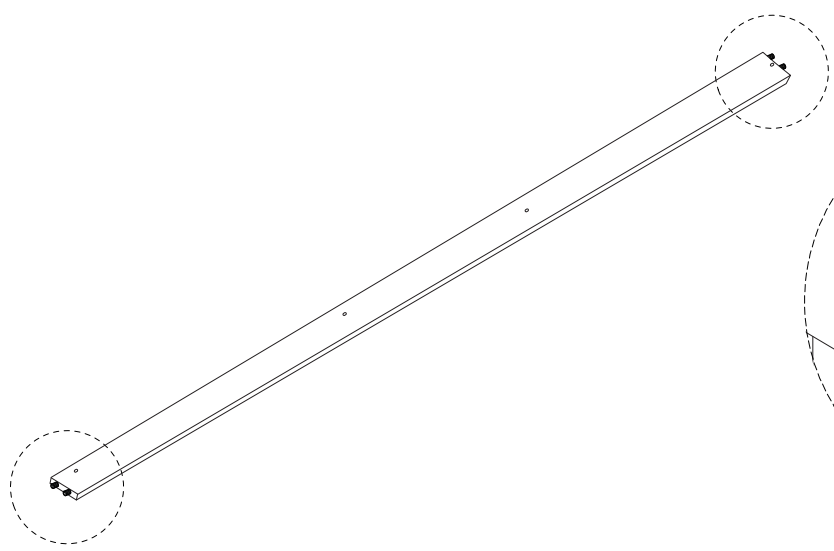


x1

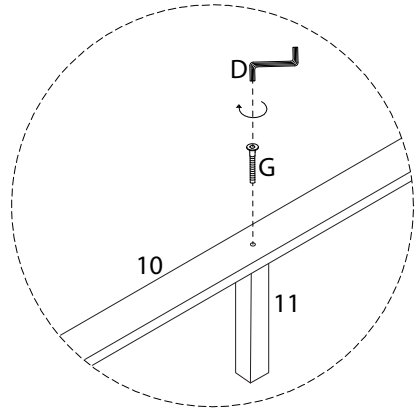
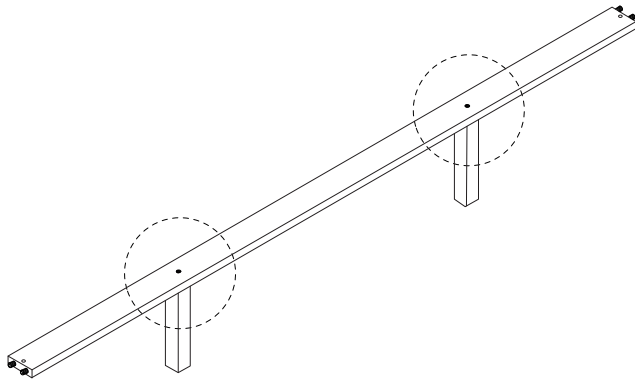
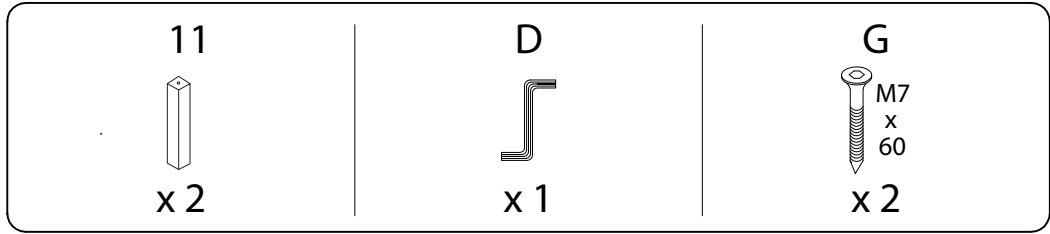
C



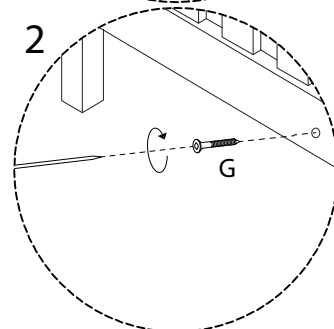
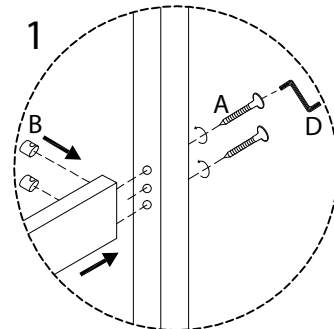
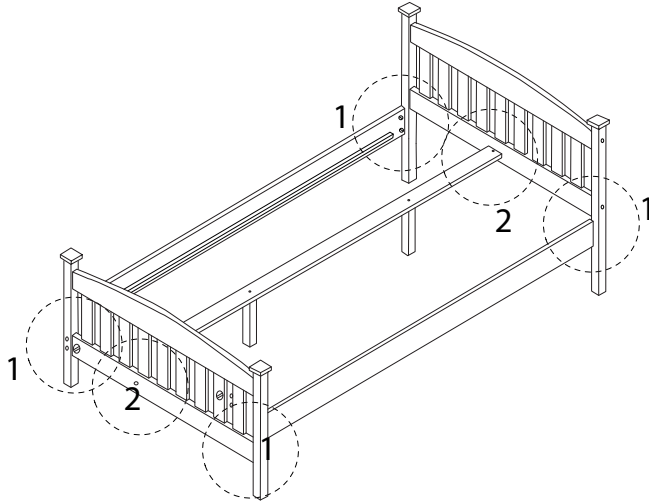
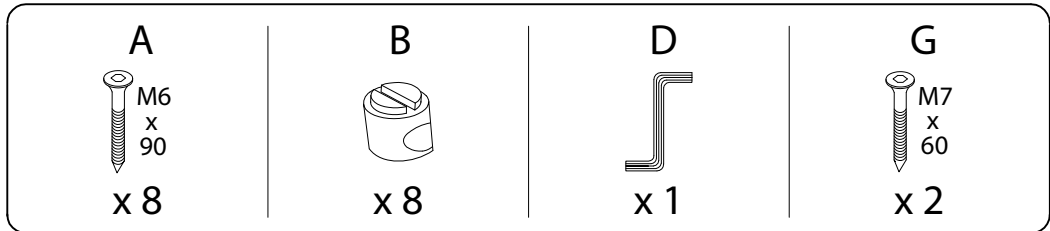
x4



7



8



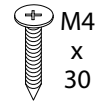
9

9

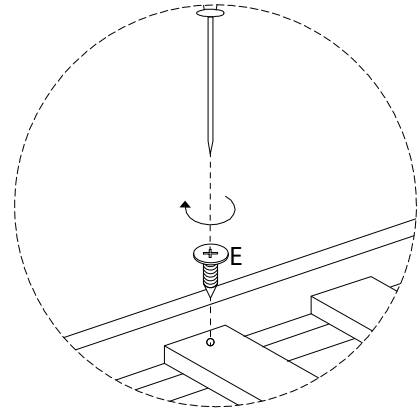
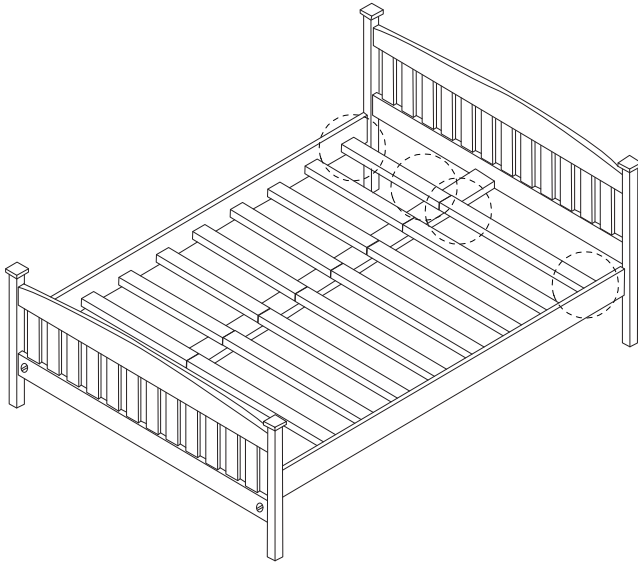


x 2

E



x 60



10

M



x 16

