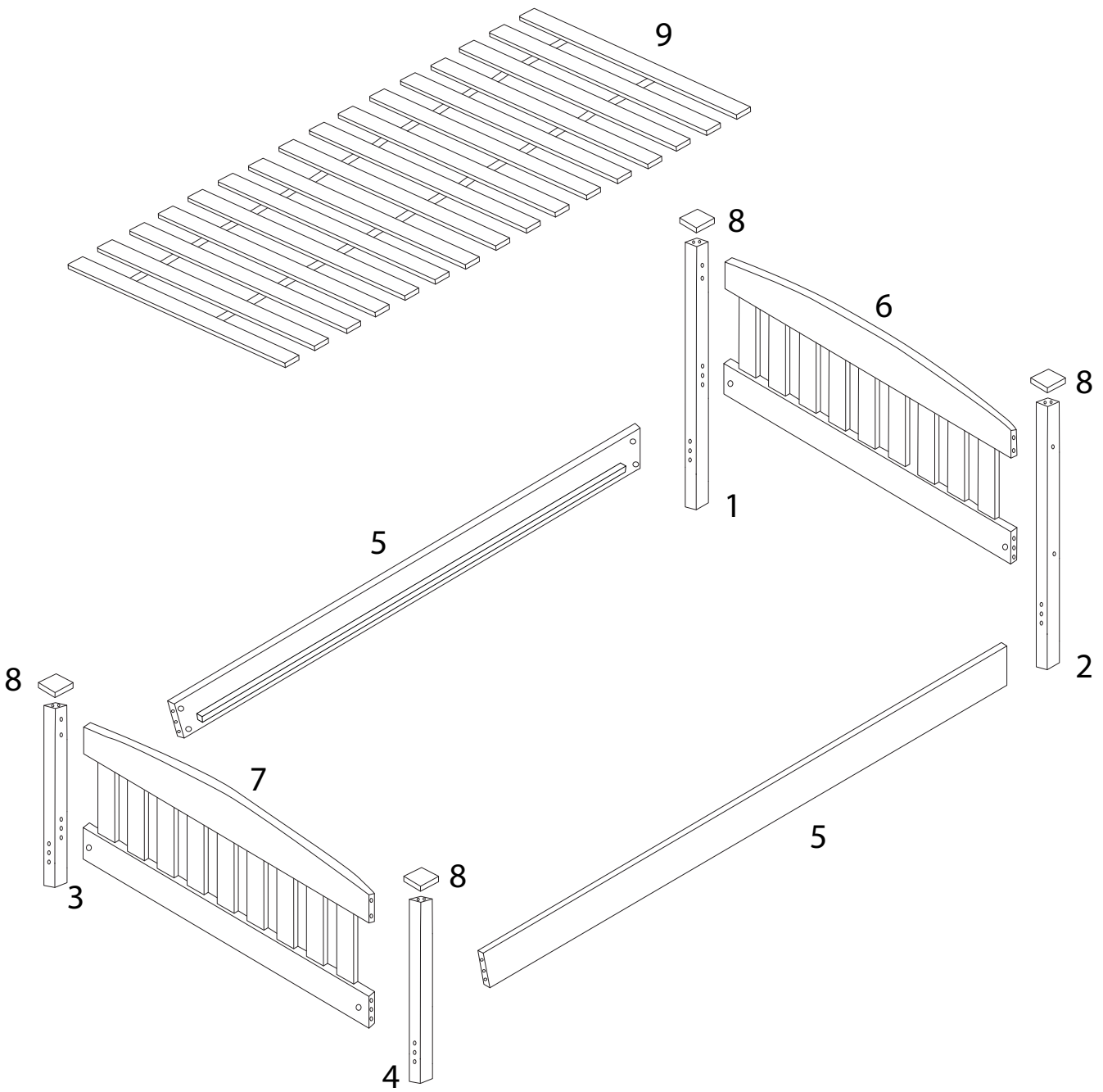
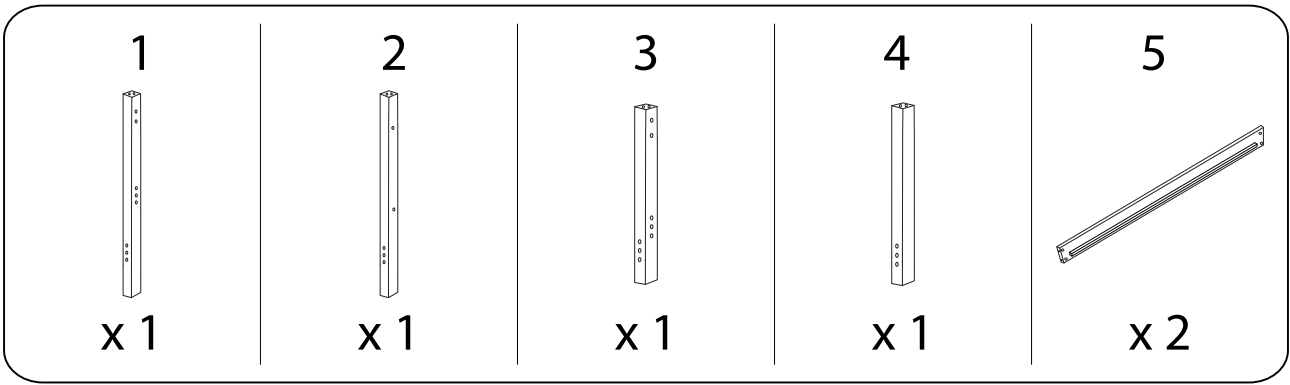
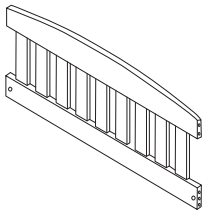


30'

2

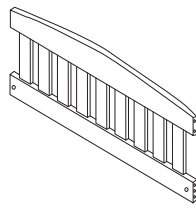


6



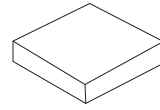
x 1

7



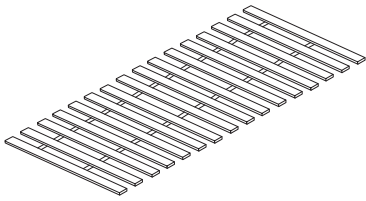
x 1

8



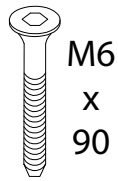
x 4

9



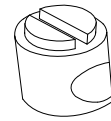
x 1

A



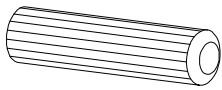
x 12

B



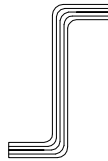
x 12

C



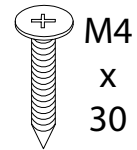
x 24

D



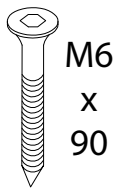
x 1

E



x 30

F



x 4

G



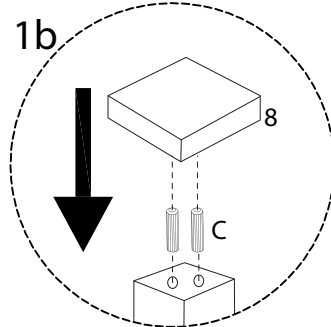
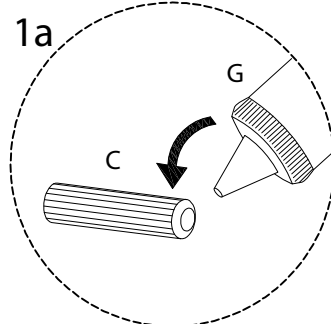
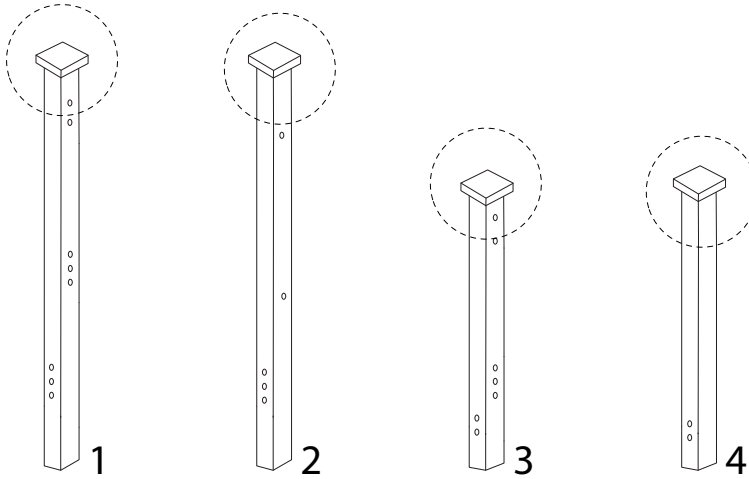
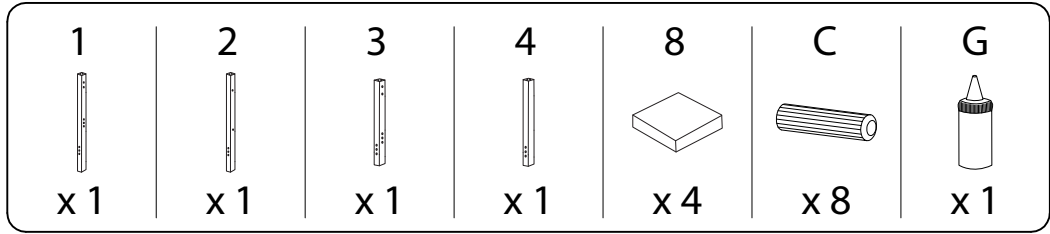
x 1

H

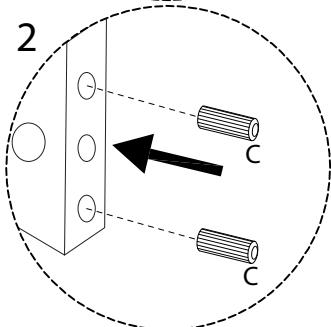
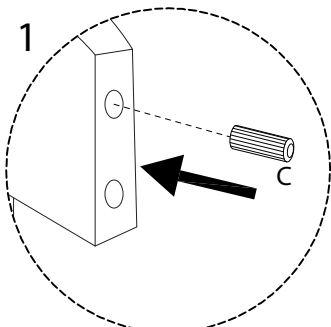
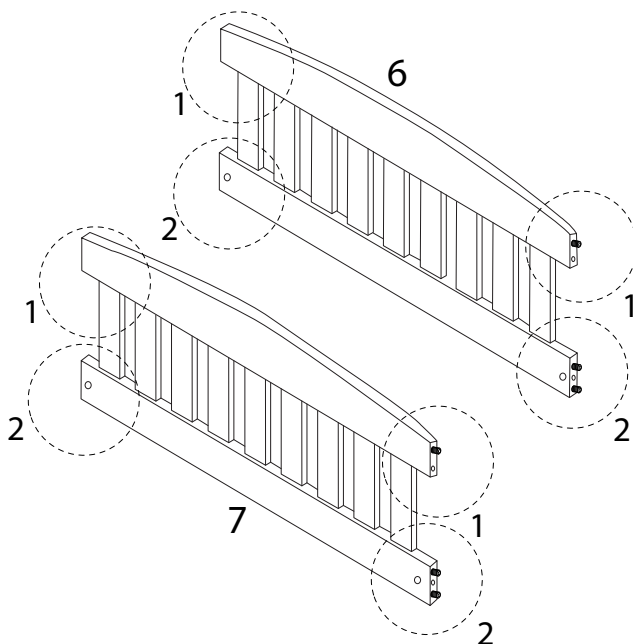
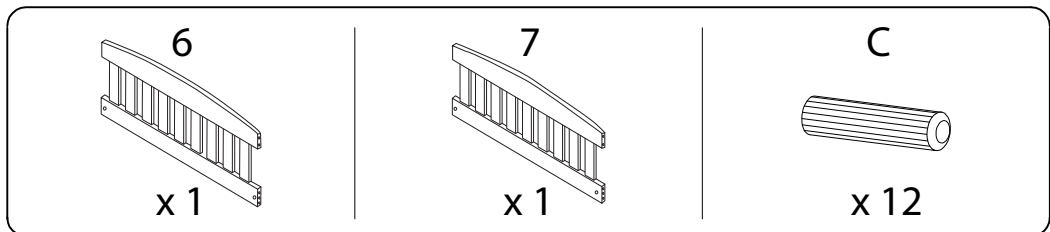


x 16

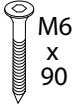

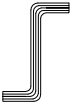

# 1

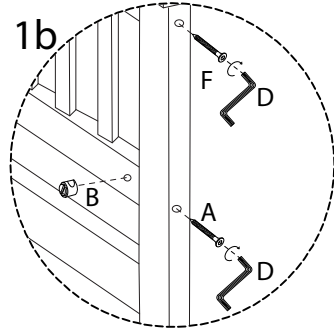
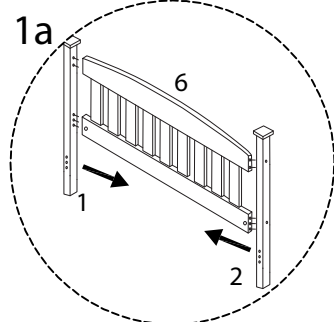
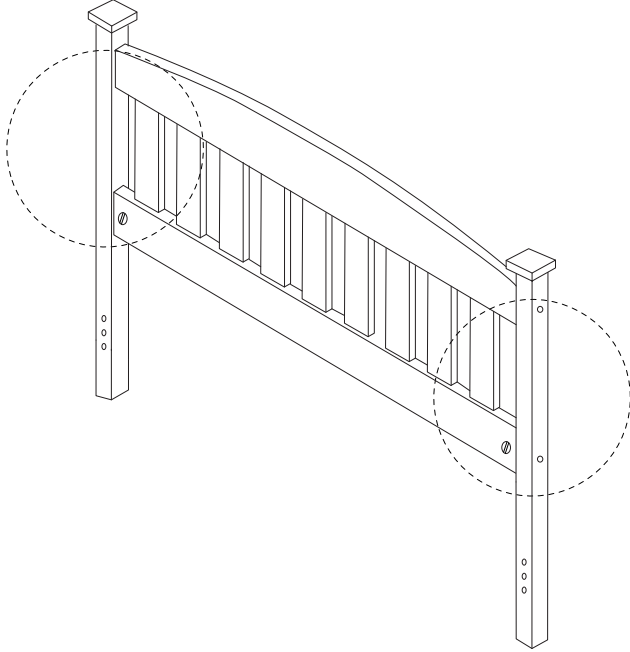


# 2

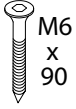


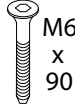


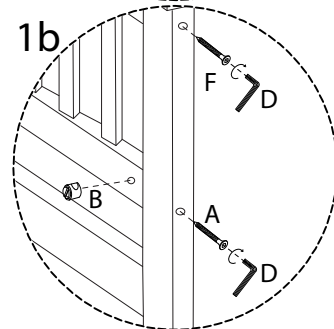
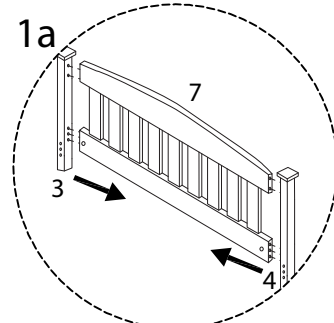
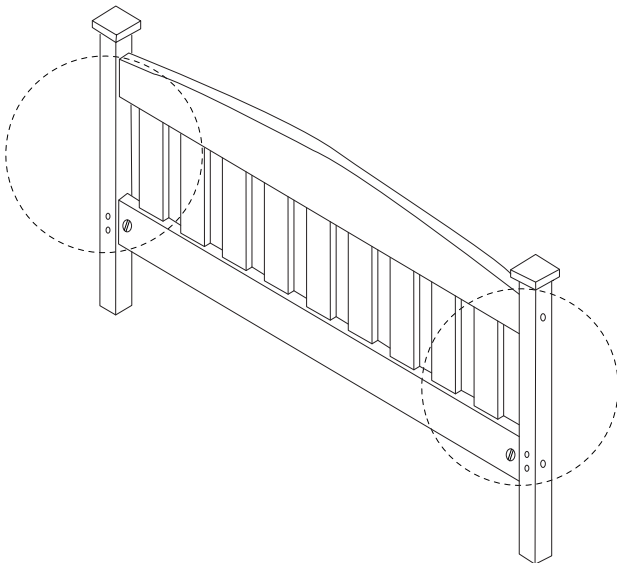
3

<b>A</b>  M6 x 90 x 2	<b>B</b>  x 2	<b>D</b>  x 1	<b>F</b>  M6 x 90 x 2
--	--	---	--

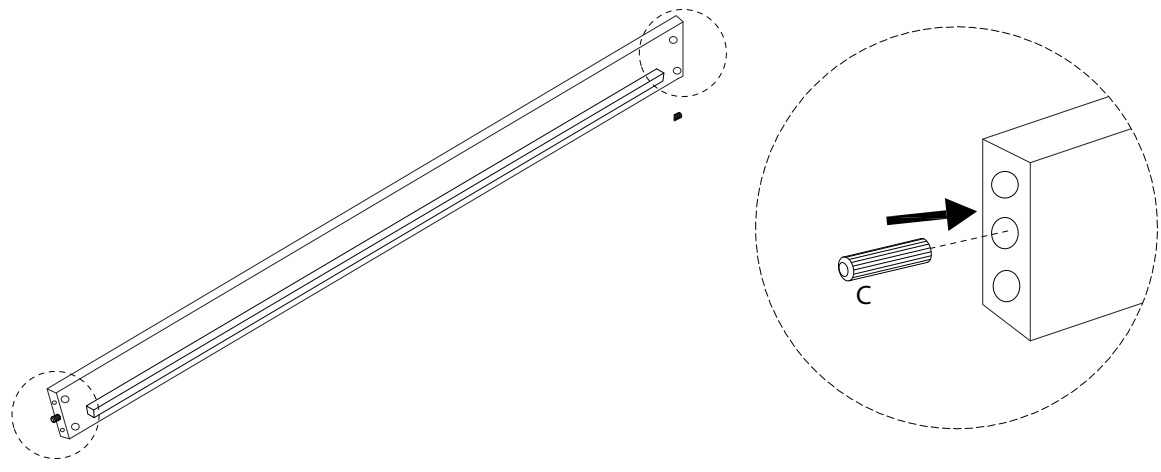
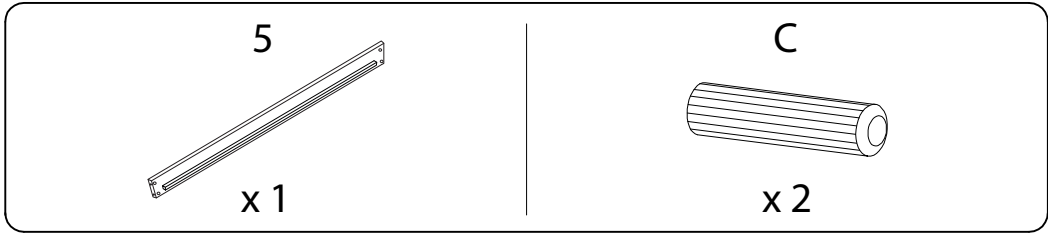


4

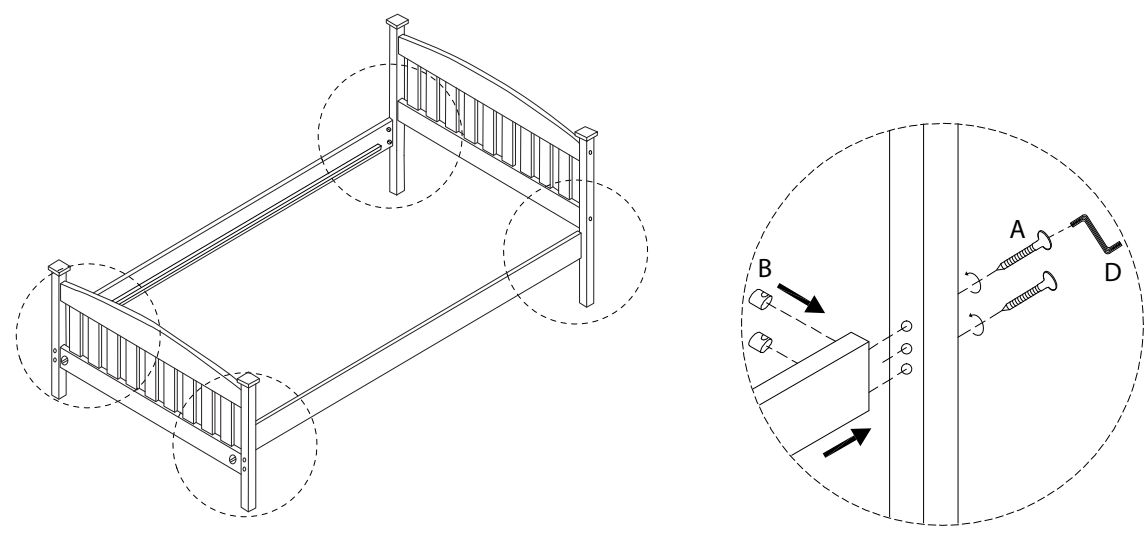
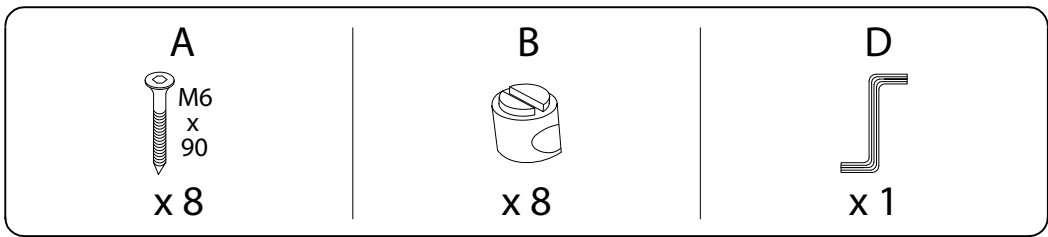
<b>A</b>  M6 x 90 x 2	<b>B</b>  x 2	<b>D</b>  x 1	<b>F</b>  M6 x 90 x 2
--	--	---	--



5x2



6



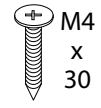
7

9

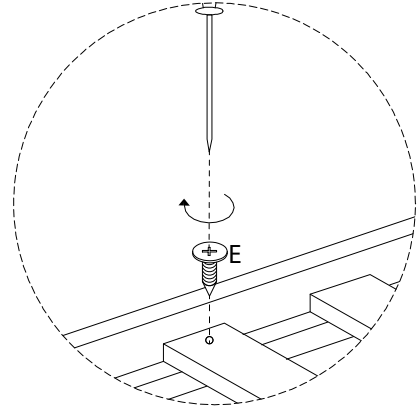
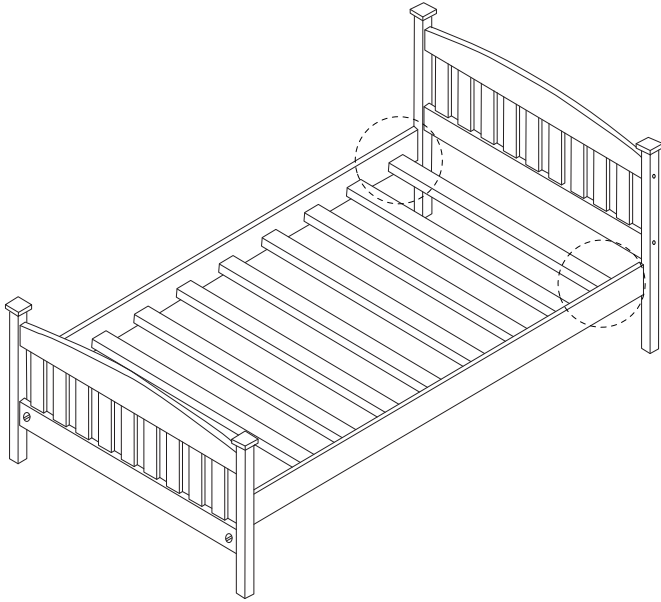


x 1

E



x 30



8

H



x 16

