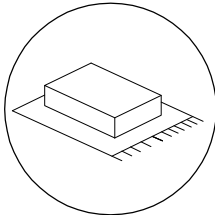
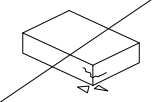

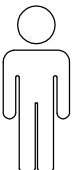
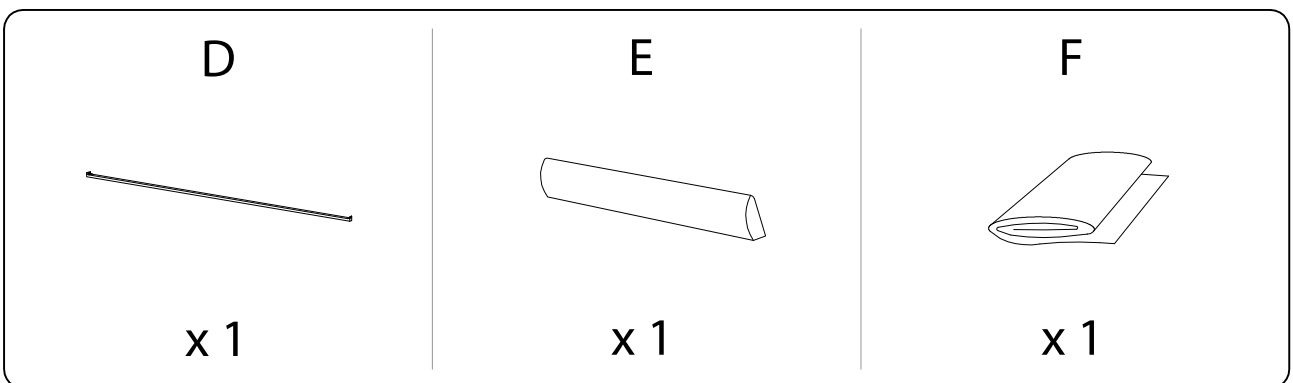
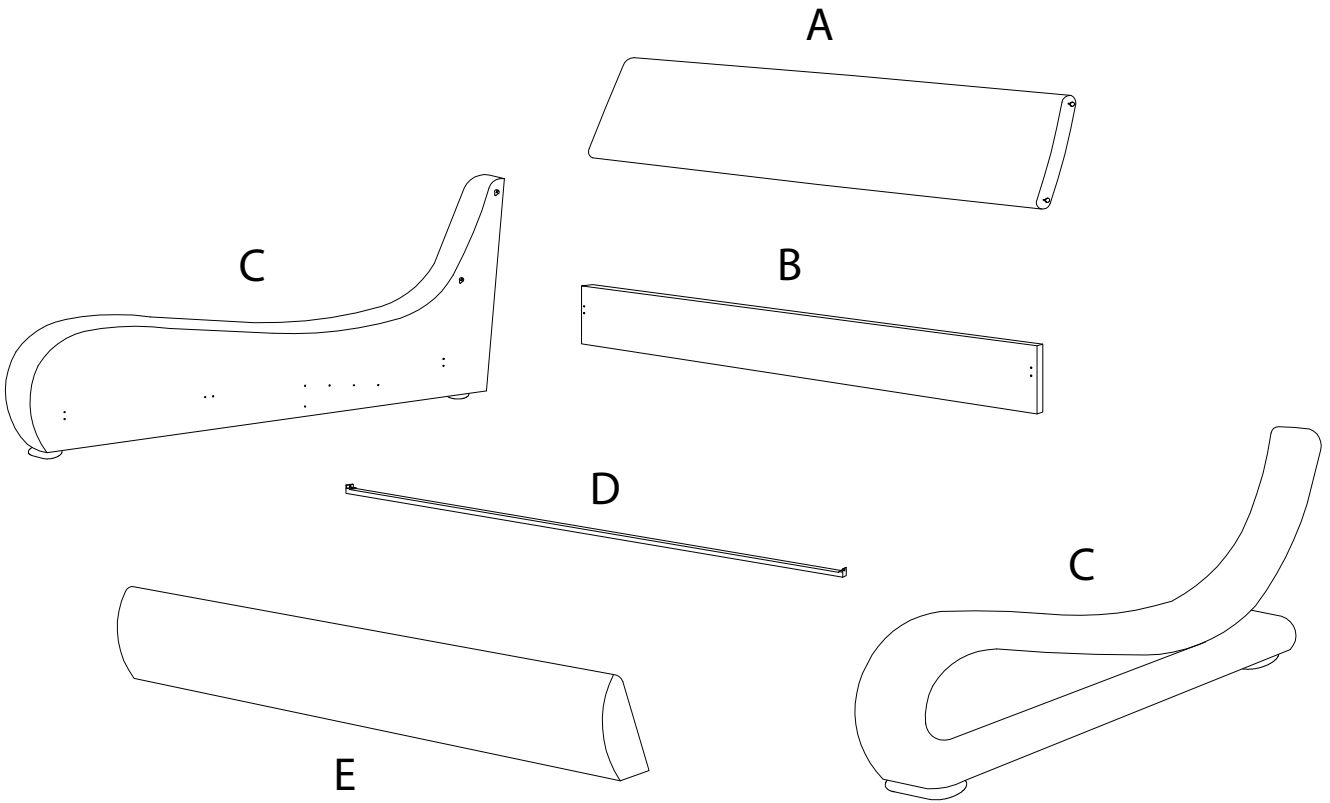
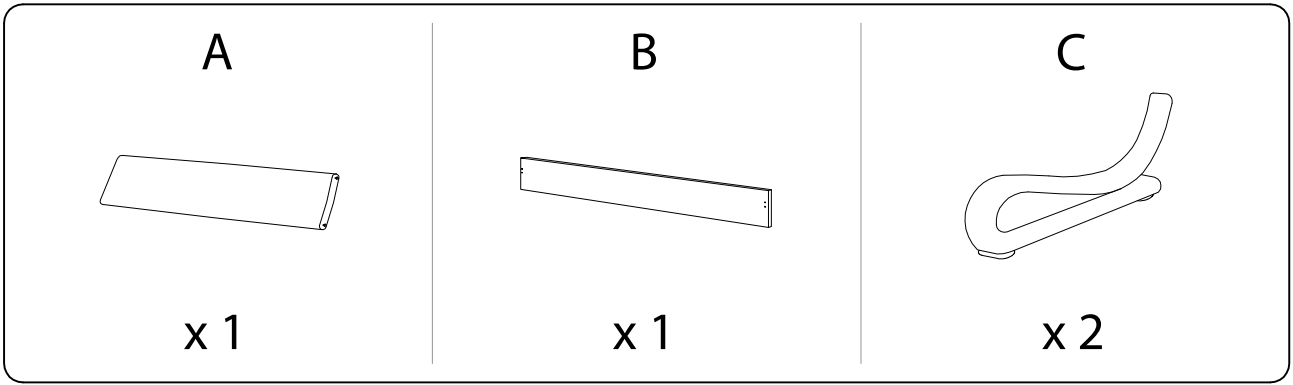

		<b>60'</b>
 		
		<b>2</b>

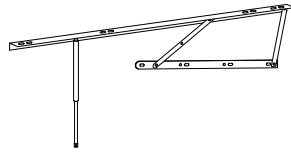


G



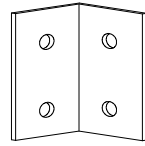
x 2

H



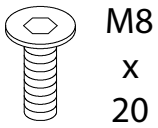
x 2

I



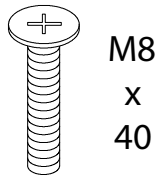
x 6

J



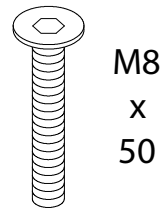
x 22

K



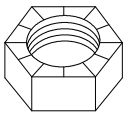
x 8

L



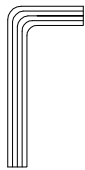
x 4

M



x 4

N



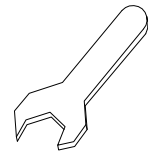
x 1

O



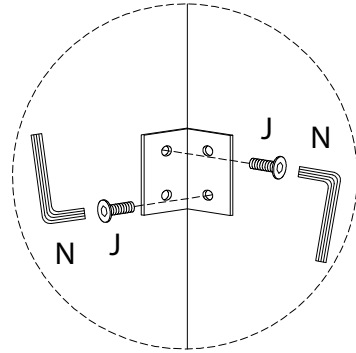
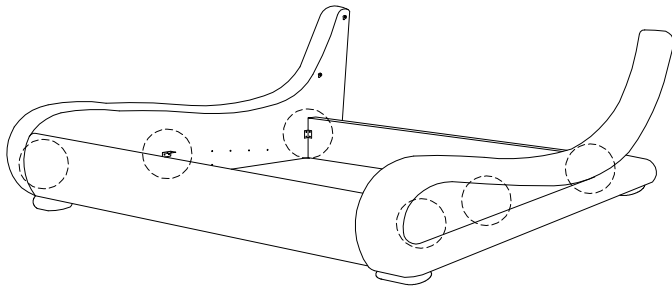
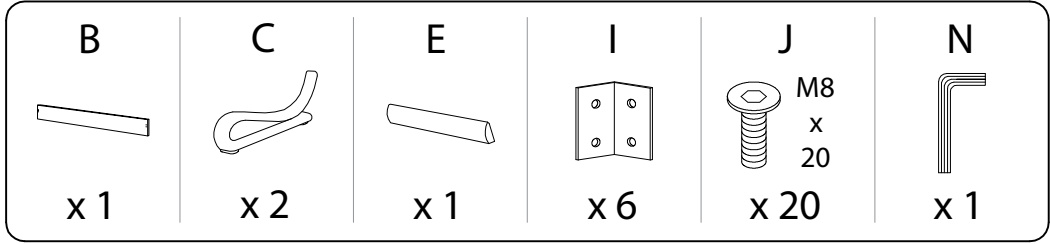
x 1

P

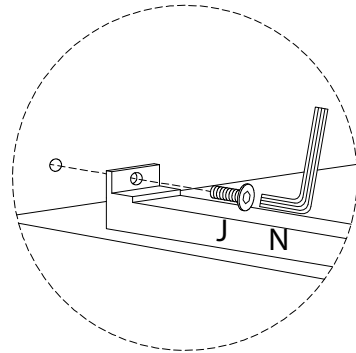
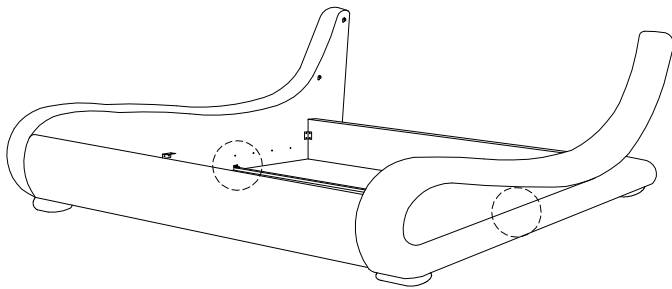
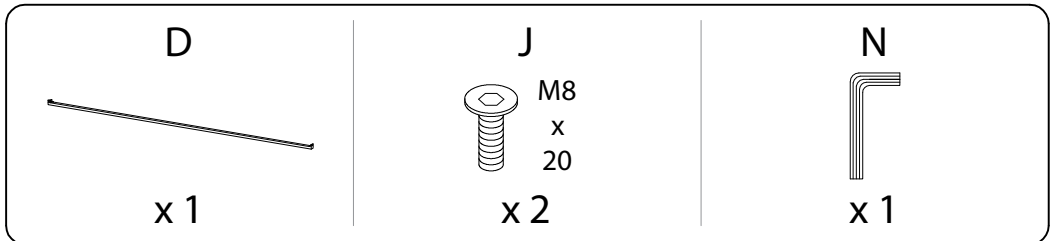


x 1

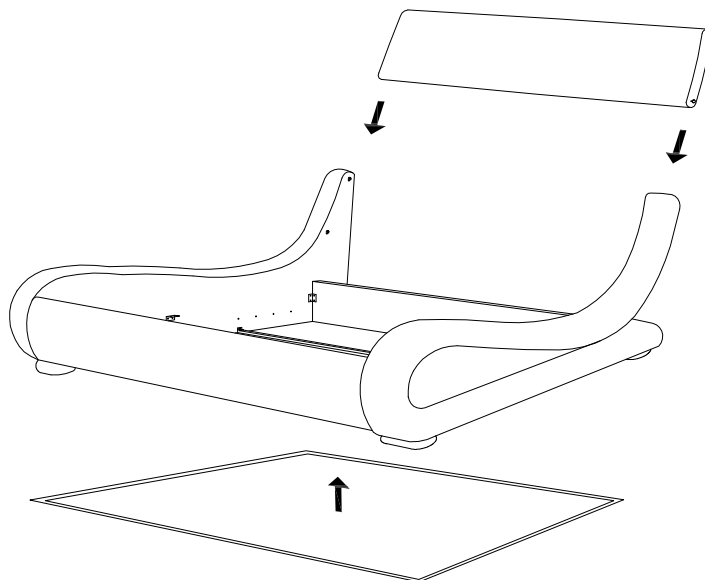
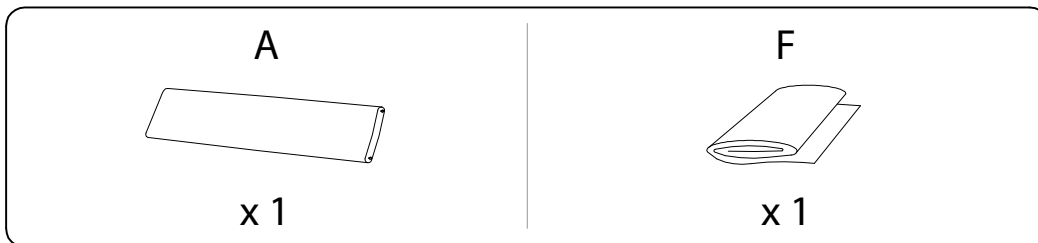
1



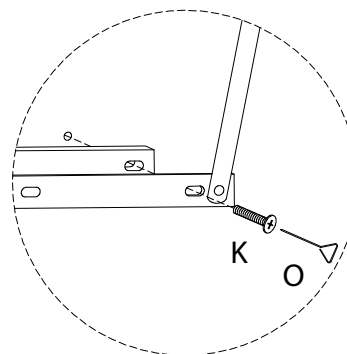
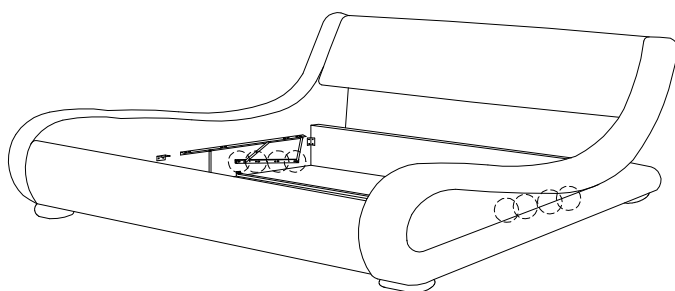
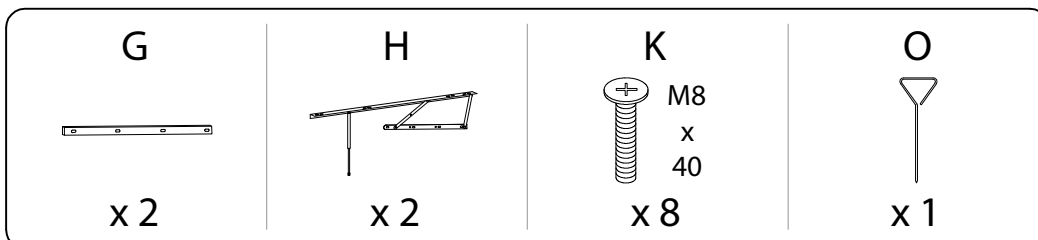
2



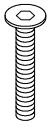
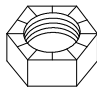

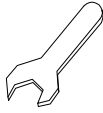
3

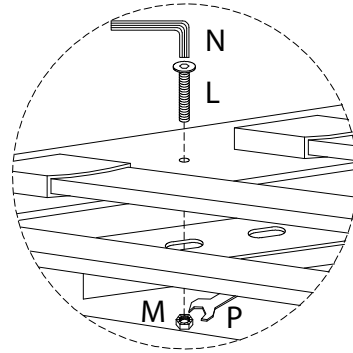
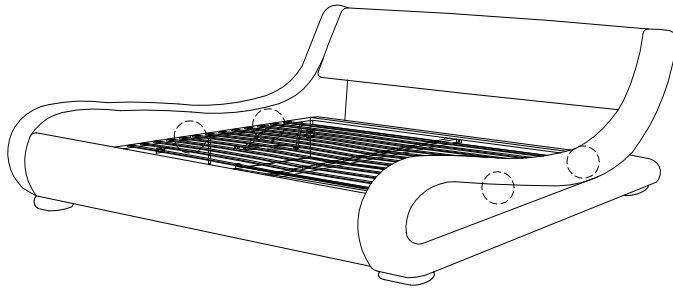


4

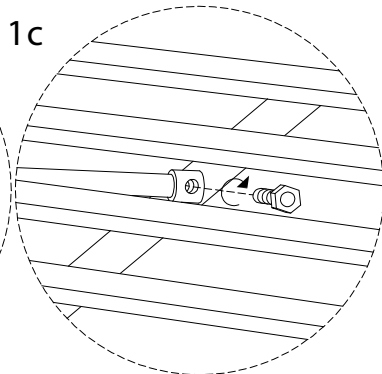
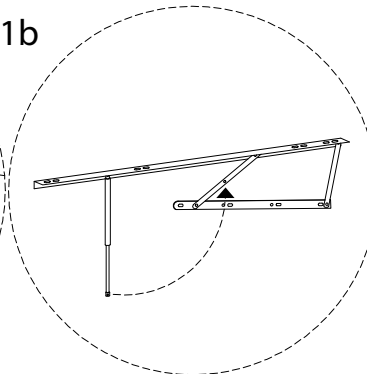
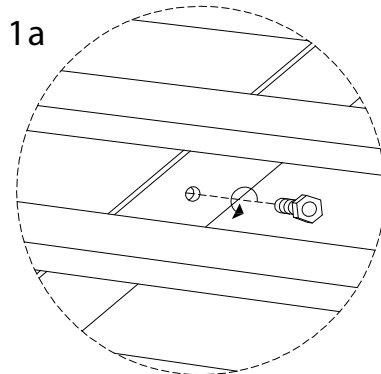
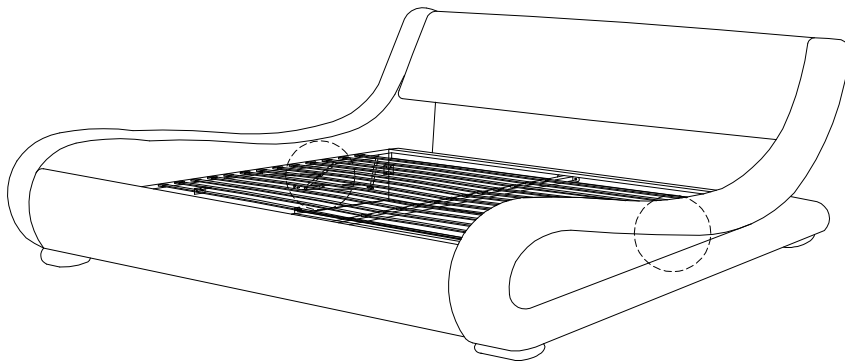


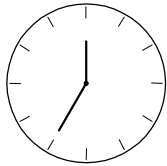
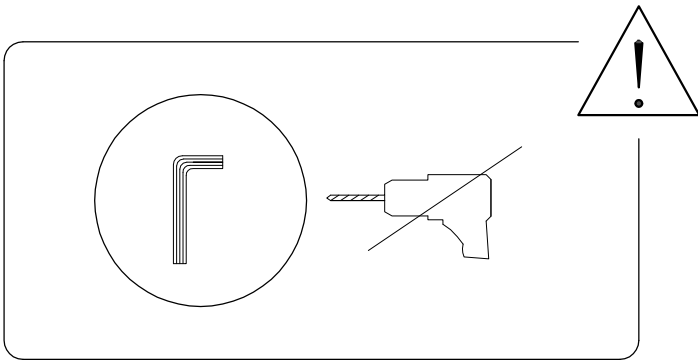
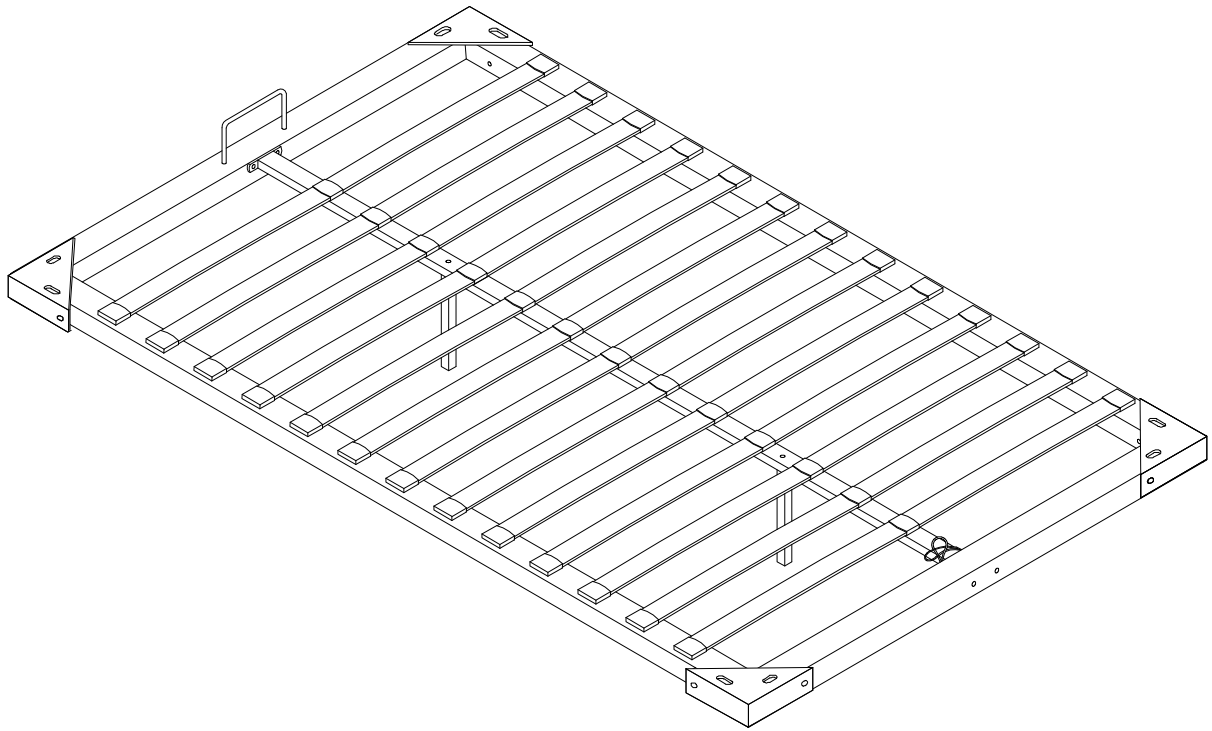
5

<p>L M8 x 50 x 4</p> 	<p>M x 4</p> 	<p>N x 1</p> 	<p>P x 1</p> 
--	--	---	--



6

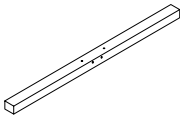
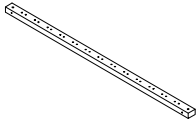
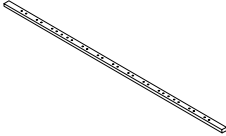
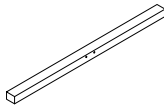


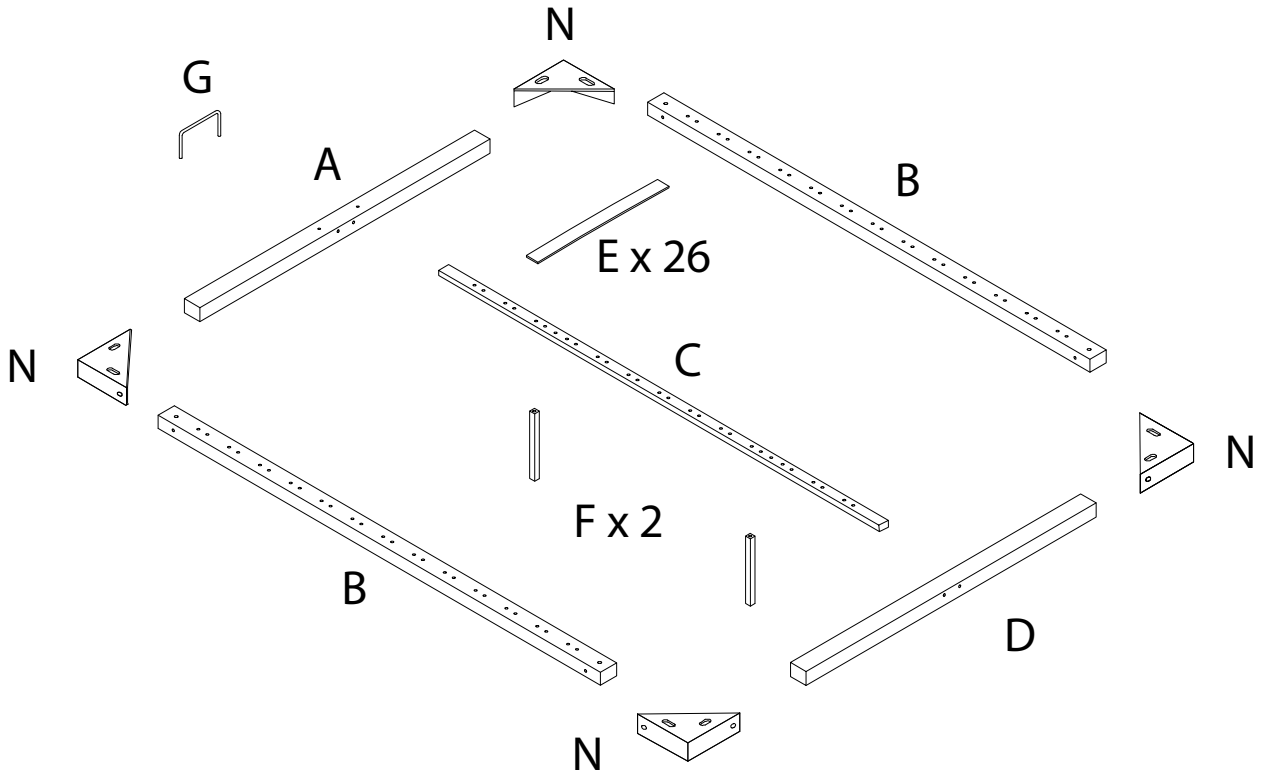


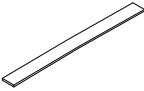

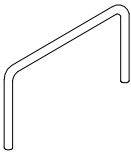
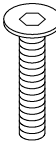
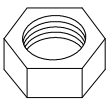
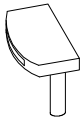
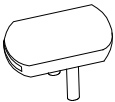
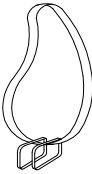
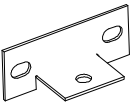
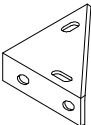
35'



1

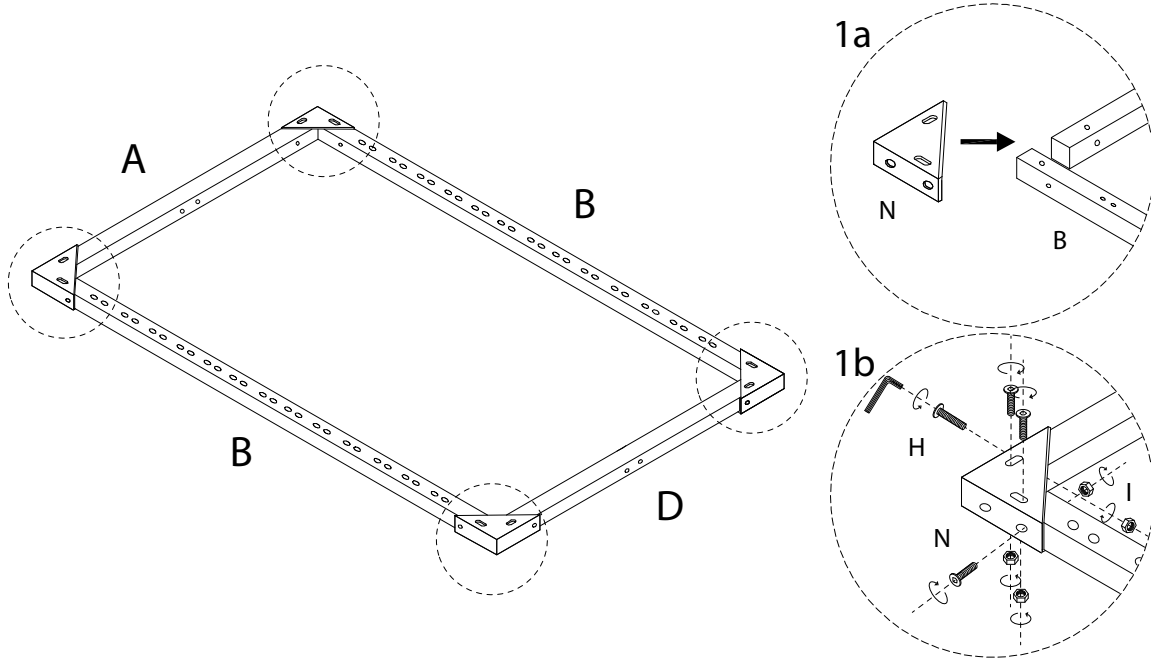
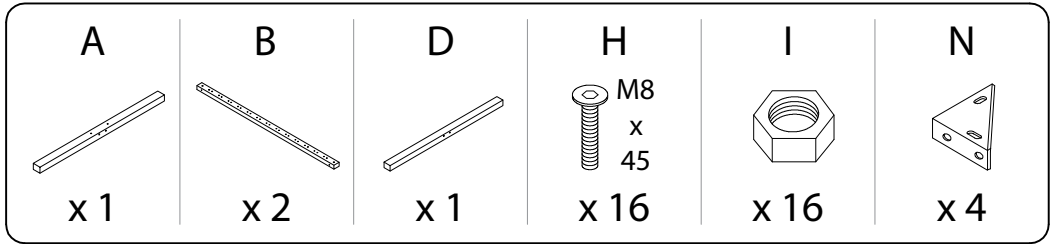
A	B	C	D
			
x 1	x 2	x 1	x 1



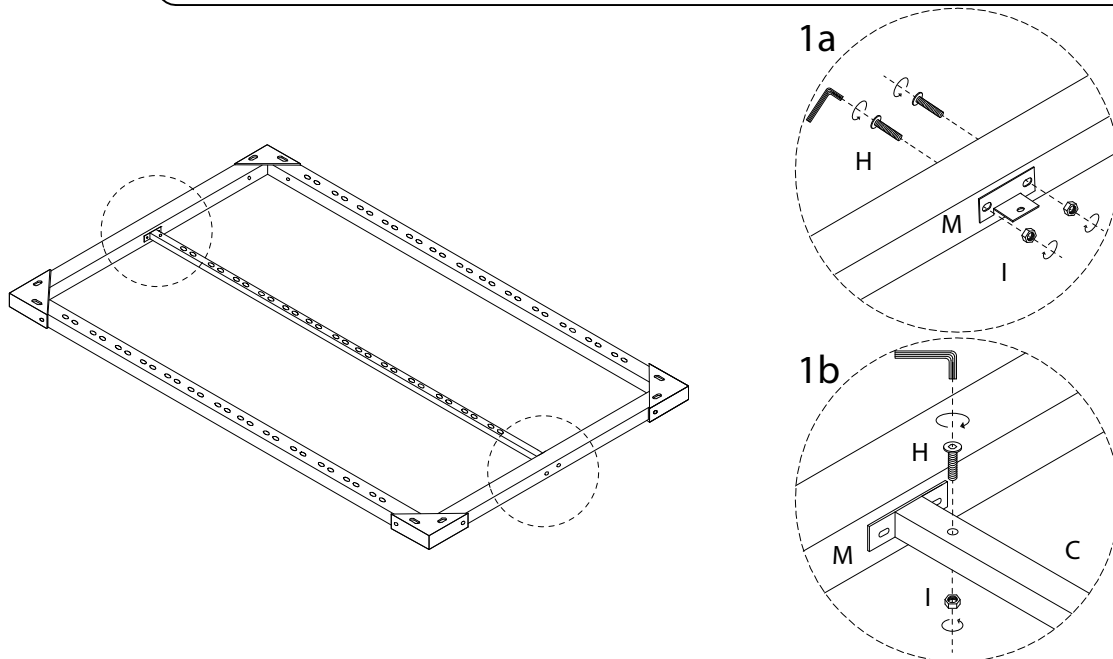
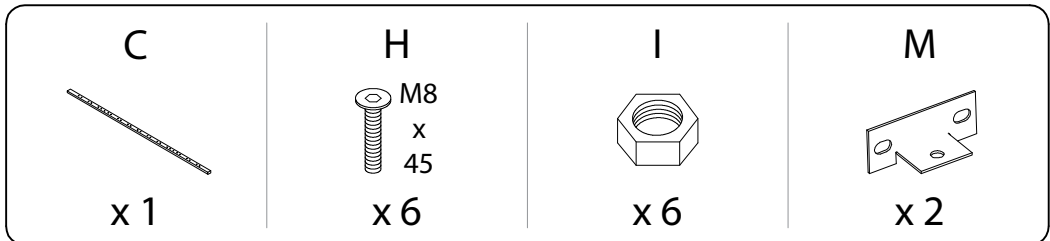
E	F	G	H	I
			 M8 x 40	
x 26	x 2	x 1	x 24	x 22
J	K	L	M	N
				
x 26	x 13	x 1	x 2	x 4



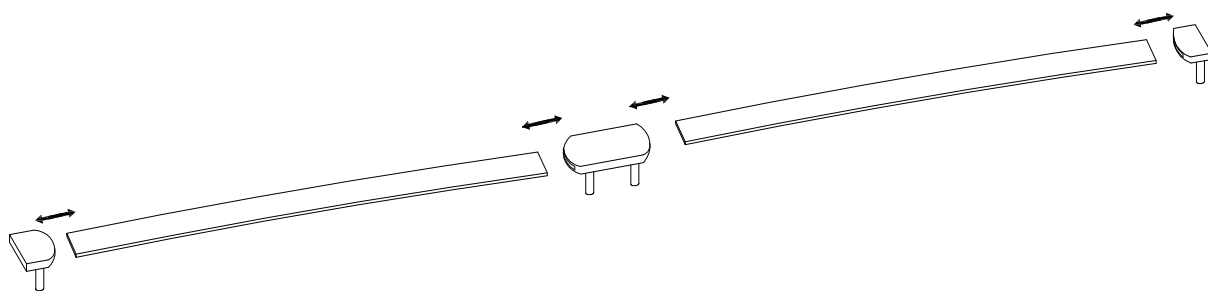
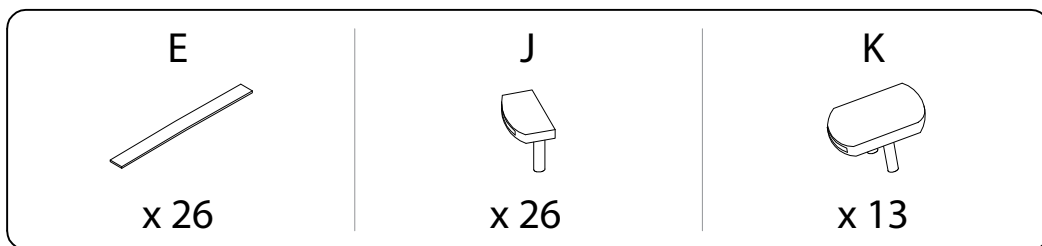
1



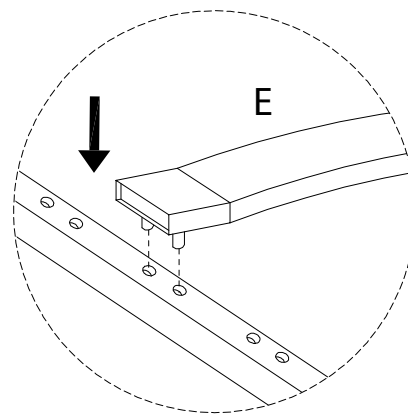
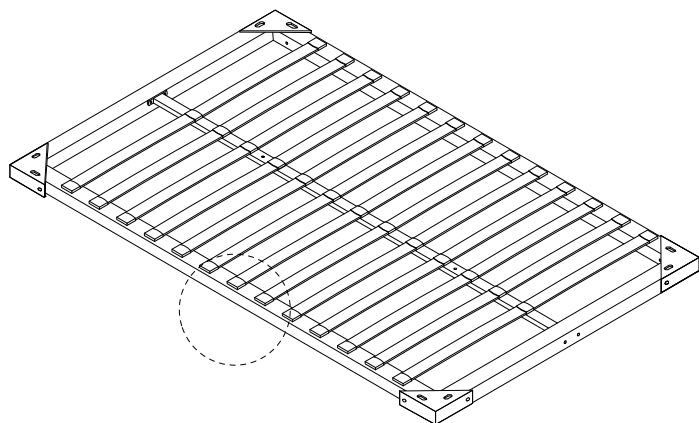
2




3

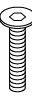


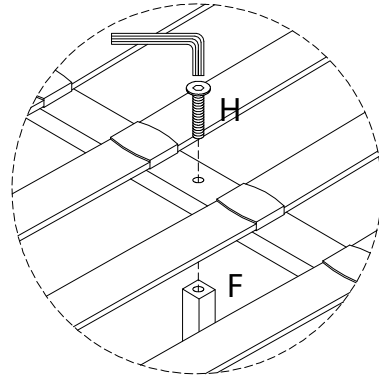
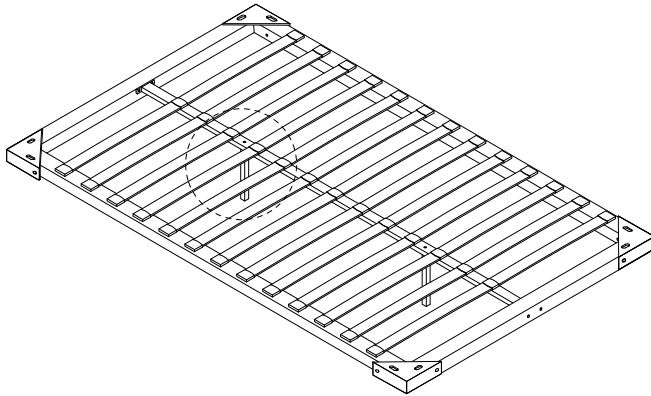
4



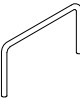
5

F  
  
x 2

H  
  
M8  
x  
45  
x 2



6

G  
  
x 1

L  
  
x 1

