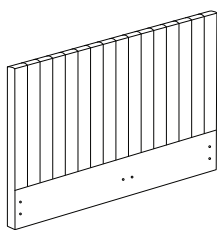




Assembly instructions for step 1/10:

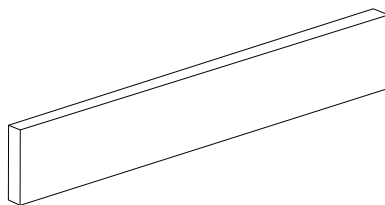
- Tools:** An icon in a circle shows an Allen key and a wrench. A power drill icon is crossed out with a diagonal line, indicating it should not be used.
- Warning:** A triangle with an exclamation mark indicates a warning.
- Time:** A clock icon is shown above the text "40'", indicating the estimated assembly time.
- Personnel:** An icon of a person is shown above the number "2", indicating that two people are required for assembly.

1



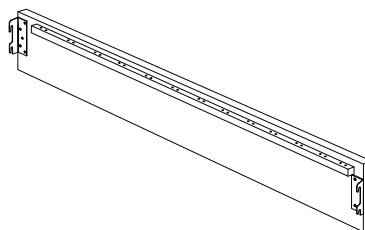
x 1

2



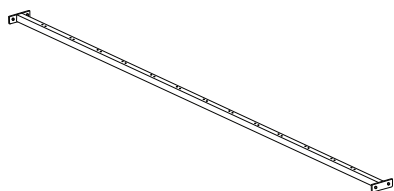
x 1

3



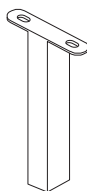
x 2

4



x 1

5



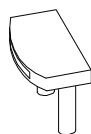
x 2

6



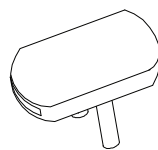
x 26

7



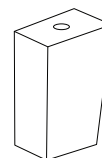
x 26

8



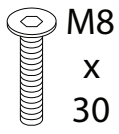
x 13

9



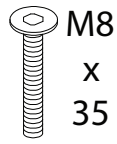
x 4

A



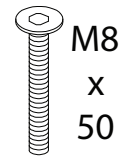
x 12

B



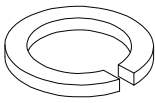
x 4

C



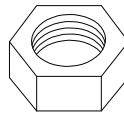
x 4

D



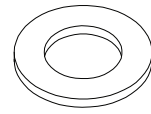
x 8

E



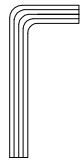
x 4

F



x 12

G



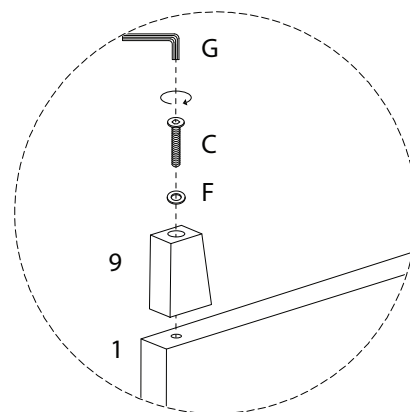
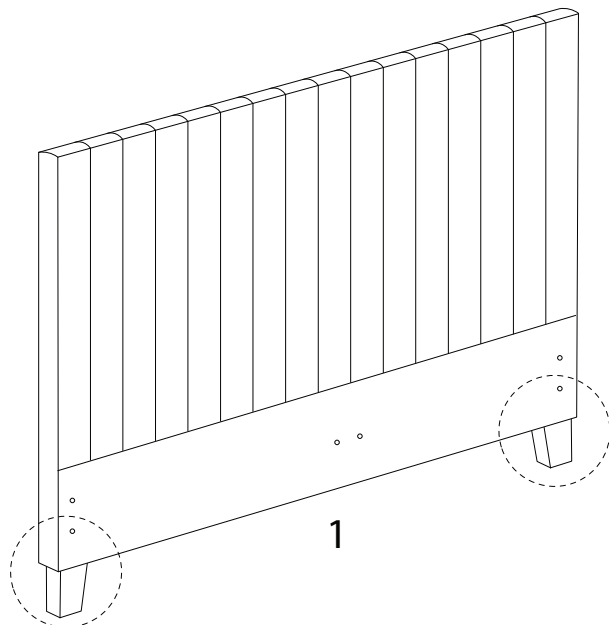
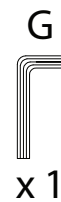
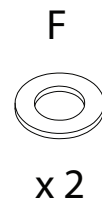
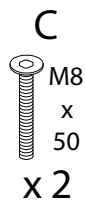
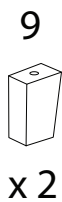
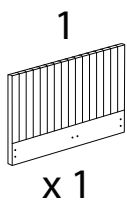
x 1

H

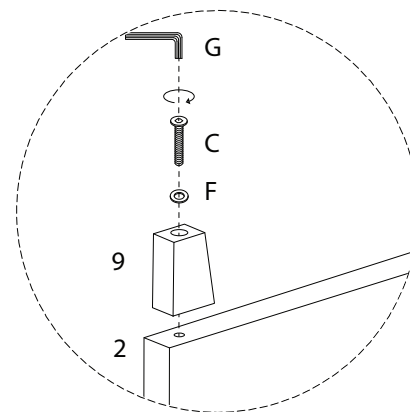
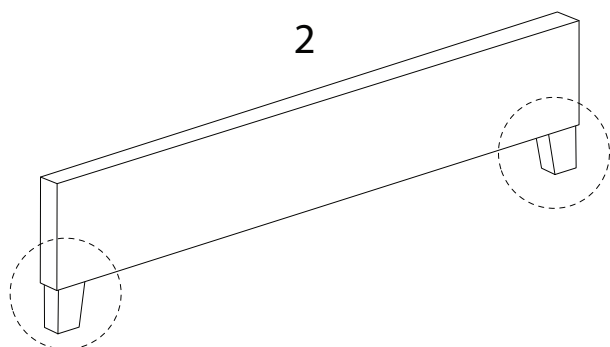
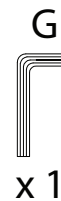
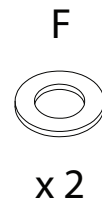
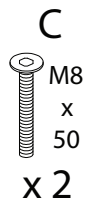
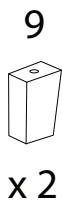
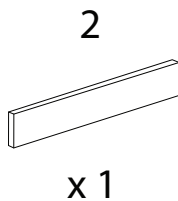


x 1

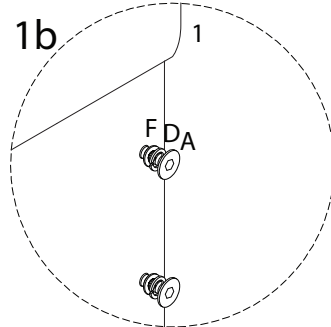
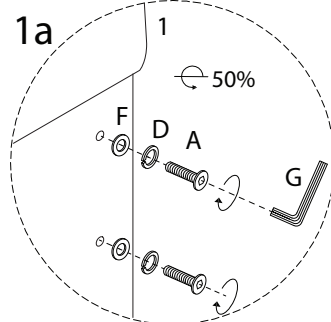
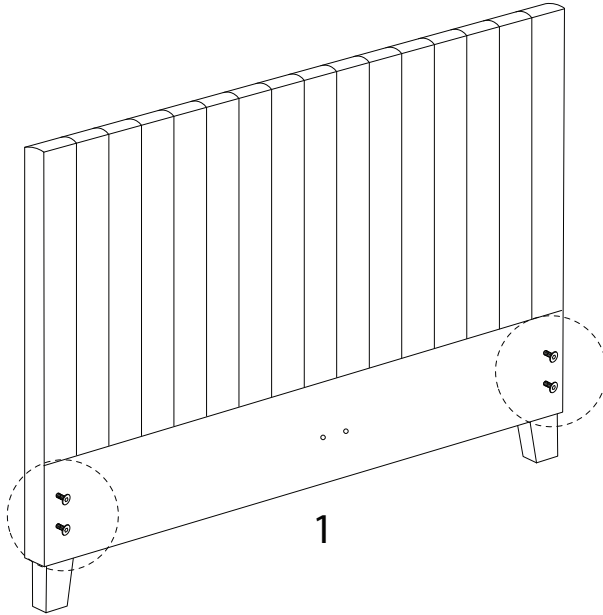
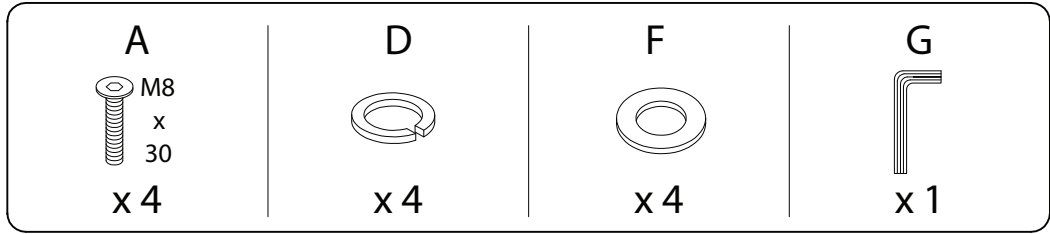
1



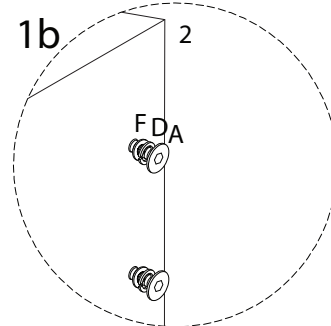
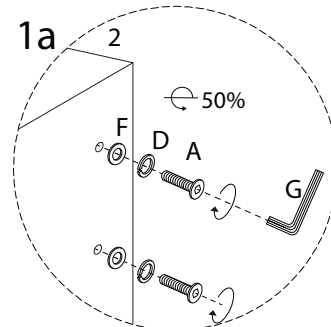
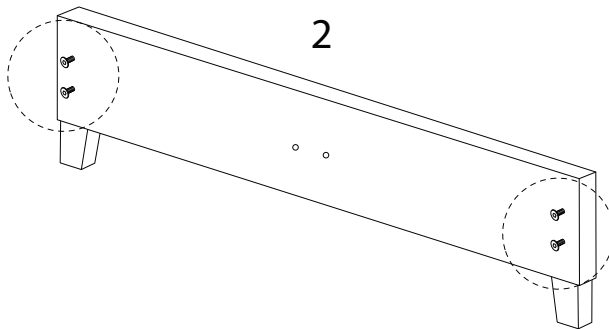
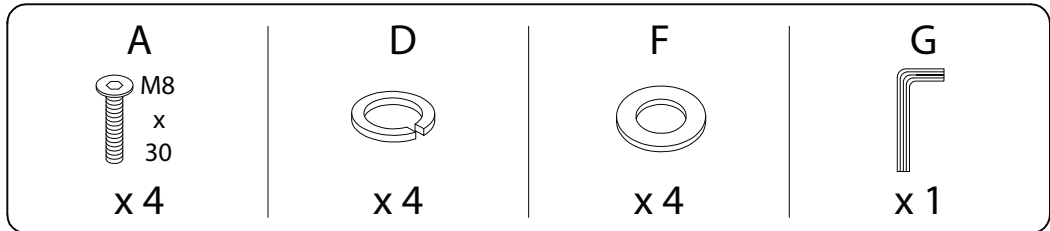
2

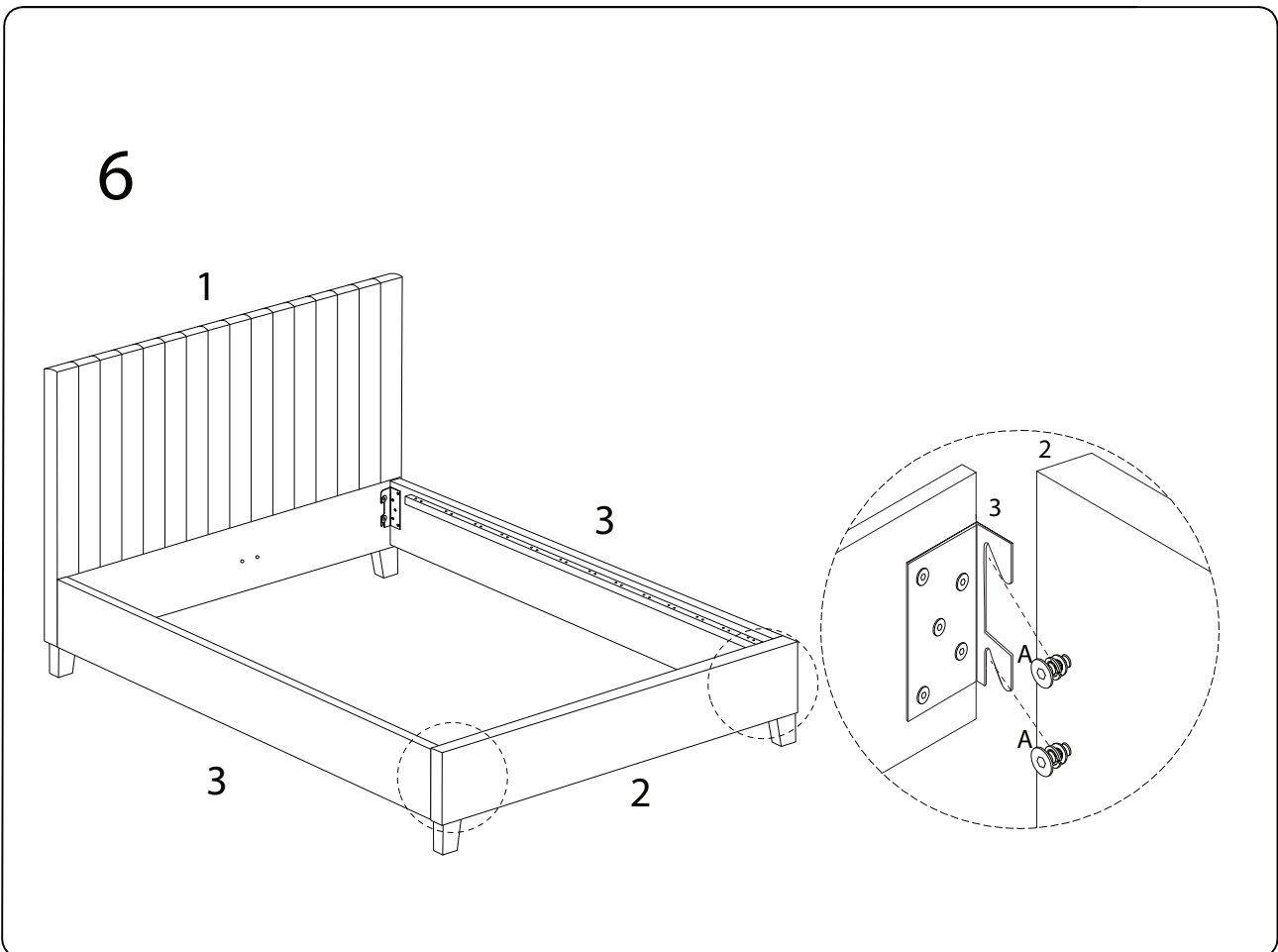
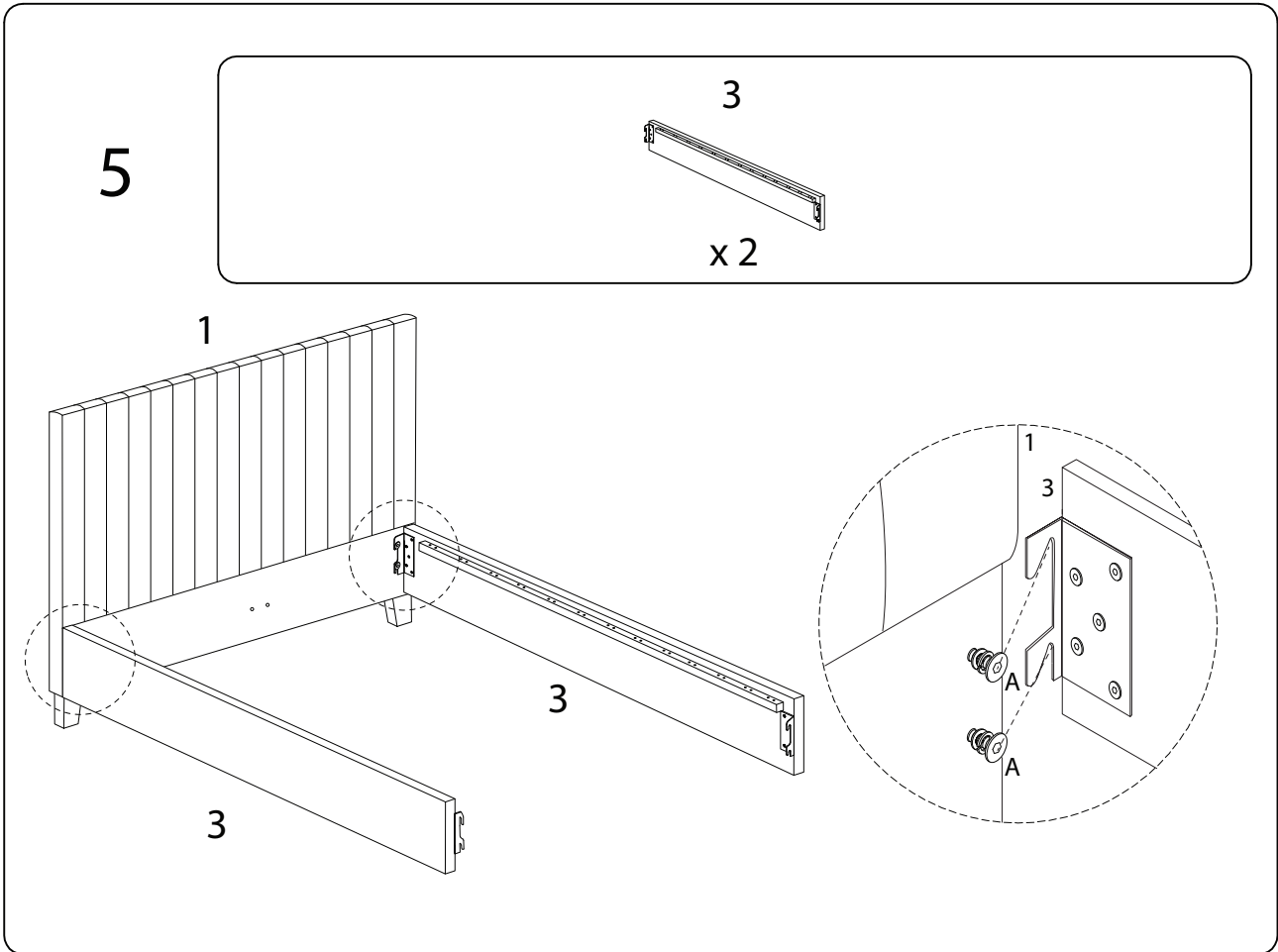


3

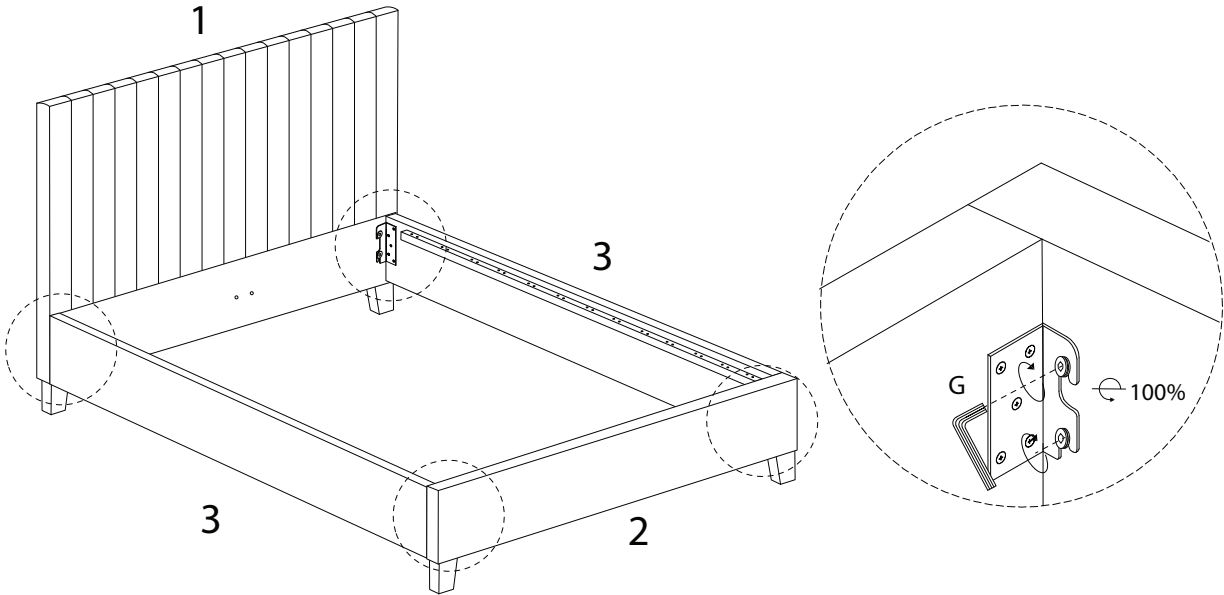
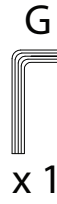


4

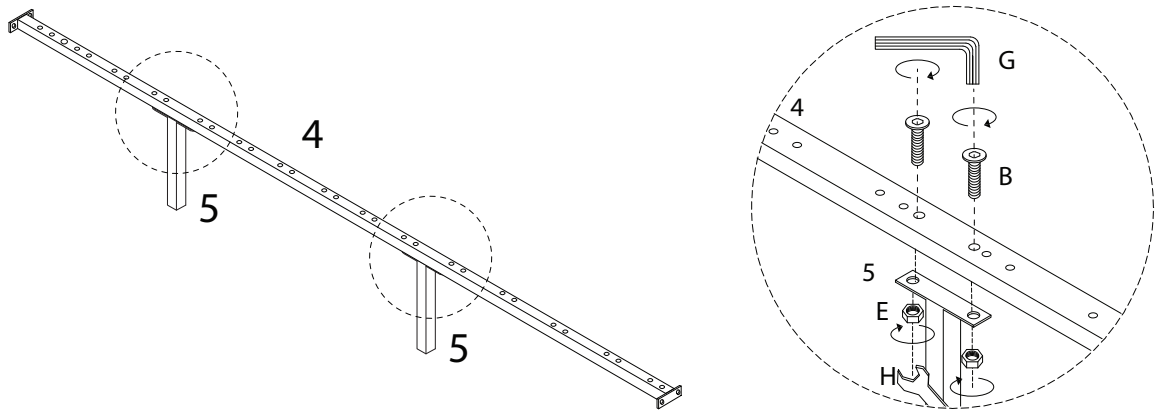
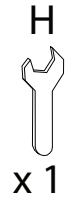
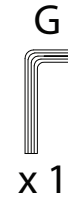
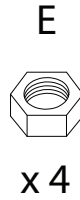
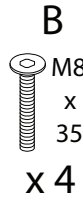




7

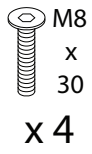


8

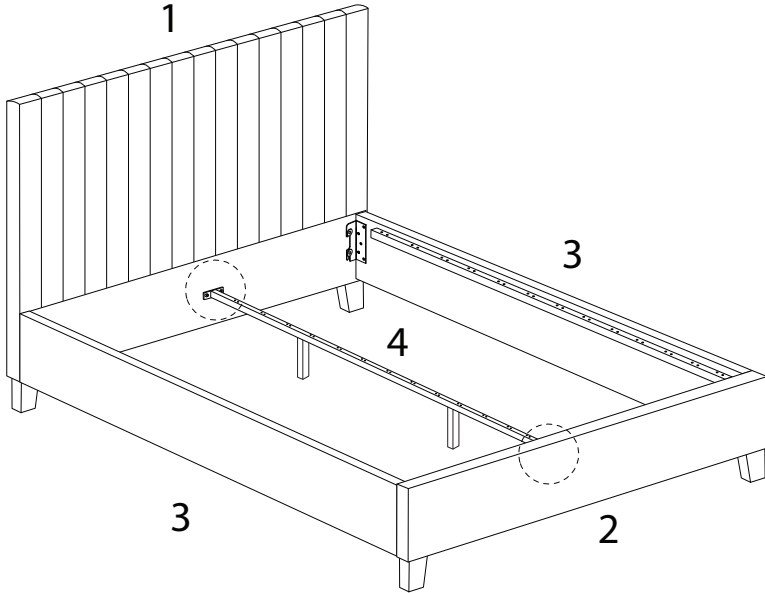
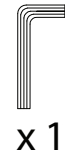


9

A

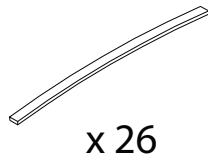


G



10

6



7



8

